



LANDSCAPE LIGHTING SOLUTIONS CATALOG



YOUR DREAM, WE BUILD

ABOUT LEONLITE

LeonLite®, a pioneering landscape lighting brand under TORCHSTAR, has dedicated over two decades to innovation and excellence in LED lighting solutions. Our commitment to quality, customer satisfaction, and product innovation is evident in our extensive product range, all backed by robust warranties up to 3 years.

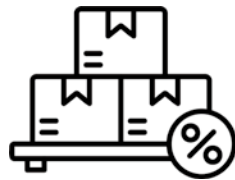
With certifications from UL, ETL, Energy Star, and DLC, we assure our clients of the highest standards in safety and efficiency. Our California-based inventory offers immediate availability, complemented by fast shipping and exclusive wholesale pricing for our partners.

We extend professional support, quality assurance, and direct access to company representatives, ensuring a seamless experience for both contractors and their clients. Engage with us for exclusive deals, technical assistance, and access to our LITEdge app for smart LED lighting control.

LeonLite® is your trusted partner for all LED lighting needs, offering tailored solutions for the beauty, safety, and entertainment of homes.



Quality Assurance



Wholesale Pricing



Fast Shipping



Professional Support



Your Dream. We Build

3768 Milliken Ave, Eastvale, CA 92880

Phone: 800.990.7688

info@leonlite.com

www.leonlite.com

A photograph of a tree at dusk. The tree's leaves are illuminated from below, creating a warm, golden glow. A small, round ground light is visible at the base of the tree trunk, casting a soft light on the surrounding mulch and plants. The background is dark, suggesting twilight.

SHINE TOGETHER: CRAFTING SPACES, SHARING VISIONS

Welcome to our catalog, crafted to support both contractors and hands-on prosumers in finding the right lighting solutions through real-world applications. We've organized it to help you quickly match products to your project's needs or to spark inspiration for your own installations. While providing detailed product insights, our aim is to facilitate growth—for contractors to enhance their projects and for prosumers to achieve their home renovation goals.

For those interested in furthering their understanding of lighting design, our Landscape Lighting Design Whitebook and Landscape Lighting 101 are great resources. Let's embark on this journey of shared development and discovery together.

TABLE OF CONTENTS

ABOUT LEONLITE	2
Shine Together: Crafting Spaces, Sharing Visions	3
Simplifying Choices for Your Customers	6
Elevating Your Lighting Solutions	7
Product Choice Simplified	8
DECK & STEPS LIGHTING	9
Upgraded Lighting Solutions	10
Commercial Step Lighting Solutions - 277V Compatible	11
Relatively Traditional-Style Home and Garden Lighting	12
Deck, Stairway Post, and Fence Lighting	13
Stair and Hallway Auxiliary Lighting	14
Touch-Safe Low-Voltage Lighting for Railings	16
Wall-Mounted Upright Lights for Steps Illumination	17
Expansive Area Step Lighting	18
Unique Glow Lighting for Fences and Walls	19
PATH LIGHTING	22
Upgraded Lighting Solutions	23
Directional Road-Focused Illumination	24
Low Plants and Nearby Paths Illumination	25

Expansive Scenes with Sparse Vegetation Illumination	26
Pathway Outline Lighting	27
Xeriscape Decorative Lighting	28
Lighting for Wall-Washing and Grazing Effects	29
SPOT & WASHER LIGHTING	31
Commercial-Grade High-Brightness Lighting Solutions	32
Illumination Solutions for Shrubs and Flower Beds	33
Wall & Medium-Sized Landscape Illumination Solutions	34
Fountain and Pond Underwater Lighting	35
PATIO & HARDSCAPE LIGHTING	37
Upgraded Lighting Solutions	38
Outdoor Kitchen & Pergola Pendant Lighting	39
Retaining Wall, Stone Step, and Stone Flower Bed Lighting Illumination	40
Corner Illumination for Stone Pillars and Walls	41
Neon Outline Lights for Homes and Billboards	42
ACCESSORIES	43



Simplifying Choices for Your Customers

When you're gearing up to discuss our lighting options with your clients, it's all about clarity and relevance. Here's how you can effectively guide them through our selection, ensuring they make the best choice for their projects.

Understanding Needs First

Start by getting a real feel for what your client values most. Pay attention to their space and chat about what they're looking to achieve. This insight lets you tailor your approach right from the get-go.

Streamlining the Selection Process

Aim to simplify their decision-making. Break down the advantages of our lighting options into clear tiers - making it easy for them to see the value at each level.

Focus on the Essentials

Cut through the clutter by highlighting only the key benefits that matter. Not all details are crucial, but the right ones can sway their decision effectively.

Clarity with "Good, Better, Best"

Leverage the power of simplicity by categorizing our products as "good," "better," and "best." This helps clients quickly grasp the differences and make informed choices based on their needs and budget.

Highlight the Benefits

Throughout the conversation, underscore the specific advantages of each option. Explain how these benefits play a significant role not just now, but in the long run, enhancing the value of their investment.

This approach isn't just about selling lights; it's about empowering your clients to make informed decisions that align with their goals and the needs of their end-users. Keep it straightforward, and you'll not only help them choose the right lighting but also build trust and credibility in the process.



Elevating Your Lighting Solutions

When guiding your clients towards the best lighting choice, it's key to show them the long-term benefits. If they're eyeing the more budget-friendly drop-in lights, here's how to pivot the conversation to the value of opting for something more lasting.

The Value of Going Integrated

Explain the brilliance behind our integrated LED accent lights. Designed to withstand the elements and built for longevity, they eliminate the hassle of bulb replacements. This is a game-changer for both ease of use and ongoing maintenance.

Considering the Long-Term



While drop-in or retrofit options might seem appealing due to their upfront cost, the need for bulb replacements down the line can add up. In contrast, the slightly higher initial investment in integrated lights pays off with their durable performance and superior light quality.

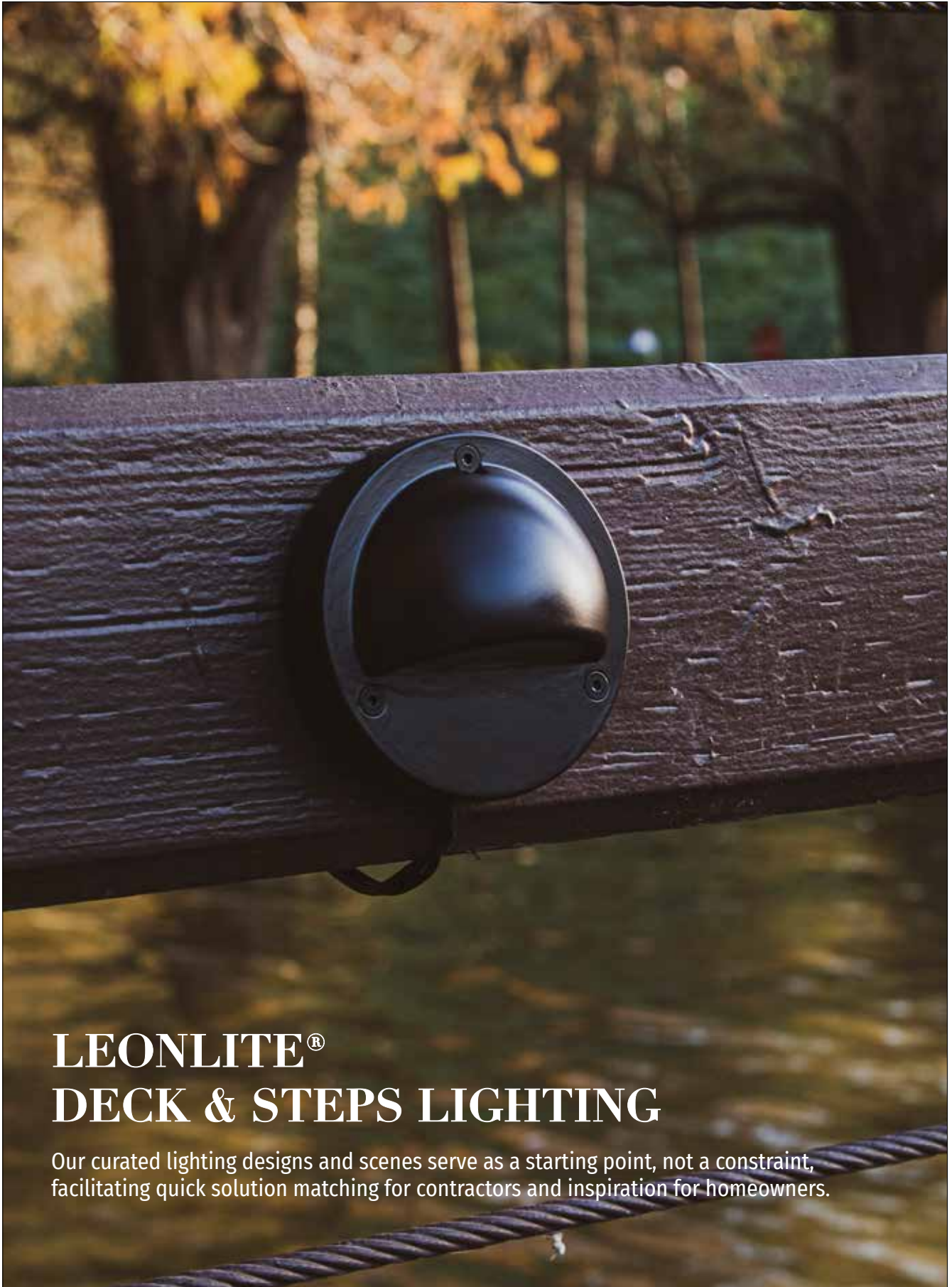
Why Integrated Lights Win:

- **Endurance:** They last longer and often come with extended warranties.
- **Quality:** The light they emit is simply better, enhancing any space they illuminate.
- **Convenience:** Forget about climbing ladders to change bulbs.
- **Flexibility:** They deliver consistent brightness without the limitations found in drop-in models.

Guiding your customer towards integrated LED lights isn't just about the immediate upgrade—it's about offering them a solution that continues to satisfy years down the line.

PRODUCT CHOICE SIMPLIFIED

Customer Need	Looking for an affordable option to meet current needs	Seeking the most reliable product for long-term use, with a focus on the best light quality and design; desires a product that can adapt as the landscape changes.
Light Option	Basic	Upgraded
Features	An affordable choice with quality design, materials, and finishes. Suitable for those who need straightforward, effective lighting solutions.	Enhances spaces with premium light quality and elegant design. Includes features like adjustable color temperature, RGB control, or smart capabilities, enabling precise control over lighting effects to match mood, activities, or aesthetic preferences.
		



LEONLITE®
DECK & STEPS LIGHTING

Our curated lighting designs and scenes serve as a starting point, not a constraint, facilitating quick solution matching for contractors and inspiration for homeowners.

Upgraded Lighting Solutions

Experience superior design and functionality

12V



Retro Baffle Step & Deck Light

277V Compatible —

Recommended for installation only on steps or walls with reserved junction boxes



ZincTech Commercial
Louvered Step & Deck Light

ZincTech Commercial Upright
Gradience Step & Deck Light

ZincTech Commercial Parallel
Gradience Step & Deck Light

Commercial Step Lighting Solutions - 277V Compatible

Optimized for 277V commercial power, these step lights provide dependable lighting, perfect for improving safety and atmosphere in commercial and public stairways.



Copertura Sporgente Step & Deck Light

ZincTech Commercial Louvered Step & Deck Light

ZincTech Commercial Upright Gradience Step & Deck Light

ZincTech Commercial Parallel Gradience Step & Deck Light



Relatively Traditional-Style Home and Garden Lighting

Ideal for homes and gardens with a more traditional flair, these lights enhance outdoor spaces with their classic designs, not suited for minimalist or highly modern styles.

12V



Affusolato Deck & Rail Light Schermo Deck & Rail Light Ventilatore Deck & Rail Light Semisfera Deck & Rail Light

120V -

Recommended for installation only on steps or walls with reserved junction boxes



Pro Parallel Retro Baffle Step & Deck Light - Wide Layers Pro Upright Retro Louvered Step & Deck Light Pro Parallel Retro Louvered Step & Deck Light Pro Parallel Retro Baffle Step & Deck Light - Thin vLayers



Deck, Stairway Post, and Fence Lighting - 12V

These lights, with a width of around 4 inches, fit well with the standard dimensions of American Deck & Stairway Posts.



Affusolato Deck & Rail Light Schermo Deck & Rail Light Ventilatore Deck & Rail Light Semisfera Deck & Rail Light



Nova Deck & Rail Light Quadrifoglio Deck & Rail Light Vertebre Deck & Rail Light



Stair and Hallway Auxiliary Lighting - 120V

Ideal for enhancing visibility in stairs and hallways, these 120V fixtures necessitate extra safety precautions when fitted in exposed outdoor settings.



Pro Upright Gradience Step & Deck Light Pro Parallel Gradience Step & Deck Light Pro Parallel Retro Baffle Step & Deck Light - Thin Layers Pro Parallel Retro Baffle Step & Deck Light - Wide Layers



Pro Upright Retro Louvered Step & Deck Light Pro Parallel Retro Louvered Step & Deck Light Pro Upright Pillbox Louvered Step & Deck Light Pro Parallel Pillbox Louvered Step & Deck Light



ZincTech Commercial Upright Gradience Step & Deck Light ZincTech Commercial Parallel Gradience Step & Deck Light ZincTech Commercial Louvered Step & Deck Light



Touch-Safe Low-Voltage Lighting for Railings - 12V

Can be used in areas prone to frequent human contact, like handrails, thanks to their 12V safety voltage and straightforward surface mount setup.



Affusolato Deck & Rail Light

Ventilatore Deck & Rail Light

Semisfera Deck & Rail Light

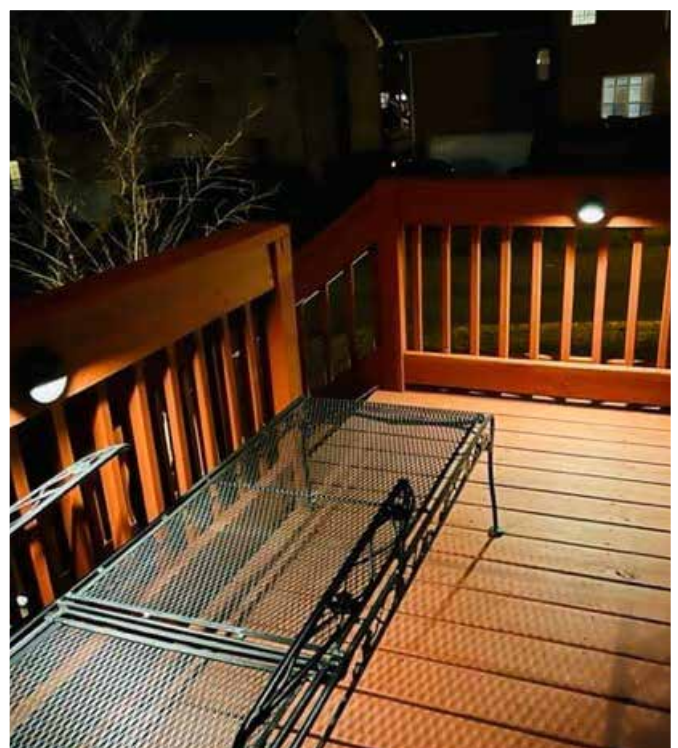
Tende Orizzontali Step & Deck Light



Schermo Deck & Rail Light

Vertebre Deck & Rail Light

Retro Baffle Step & Deck Light



Wall-Mounted Upright Lights for Steps Illumination - 120V

Upright lights are designed for wall mounting to illuminate stairs, while parallel lights are intended for direct step installation.



Pro Upright Gradience Step & Deck Light

Pro Upright Retro Louvered Step & Deck Light

Pro Upright Pillbox Louvered Step & Deck Light

ZincTech Commercial Upright Gradience Step & Deck Light



Expansive Area Step Lighting - 277V Compatible

Ideal for illuminating wide steps in open areas like plazas and resorts, ensuring safety and visual appeal. and visually striking.

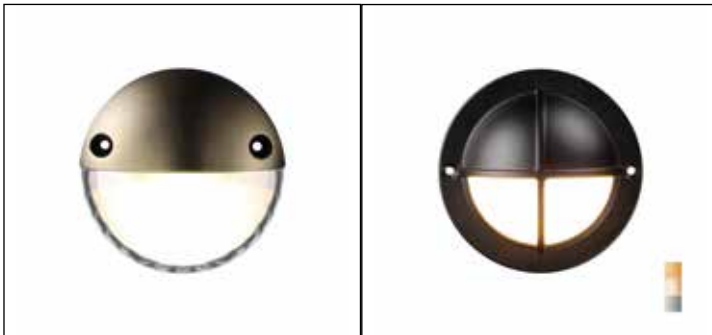


ZincTech Commercial
Louvered Step & Deck Light



Unique Glow Lighting for Fences and Walls - 12V

These lights' unique glow makes them ideal for fences and walls, offering a distinct look that's more fitting for complete surfaces than railings.



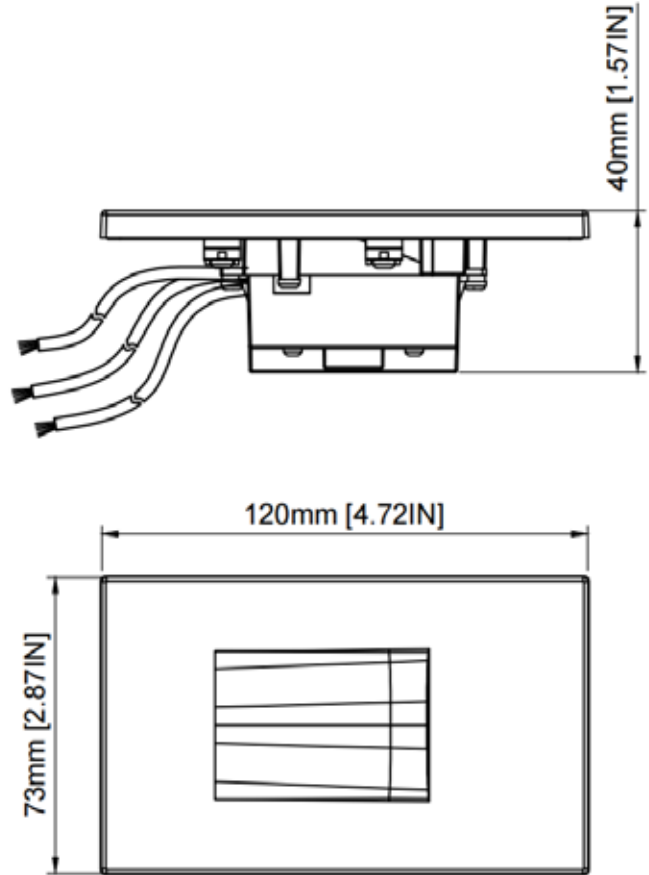
Nova Deck & Rail Light

Quadrifoglio Deck & Rail Light



Pro Upright Gradient Step & Deck Light - 3CCT

SF3SLLO-VVDS3D3CCTH



Specifications

Wattage: 3.5W

Voltage: AC120V

Luminous Flux: 110lm

Beam Angle: 30°

Color Rendering Index (CRI): 90

Lifespan: 30,000 Hours

Light Source: LED

Color Temperature (CCT): 3000K/4000K/5000K selectable

Waterproof Rating: IP65

Operating Temperature: -4°F - 104°F

Material: Aluminum & iron



Standard Finish



Product description

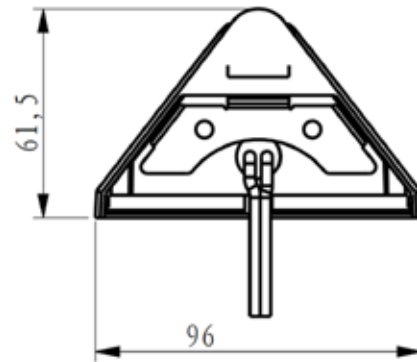
Discover LEONLITE's 3CCT 120V LED Step Lights, featuring a hidden light source to prevent glare, and a smooth 5%-100% dimmable range. Suitable for both indoor and outdoor settings, these lights offer three selectable color temperatures, ensuring consistent lighting in any environment. The high CRI90 enhances visual comfort, making them ideal for staircases and walls.

Features & Benefits

- Anti-Glare Design: Hidden light source minimizes discomfort and eye strain.
- Color Temperature Choice: 3000K/4000K/5000K options, ensuring consistent lighting.
- Adjustable Brightness: Dimmable from 5% to 100%, tailoring light to your needs.
- Waterproof and Durable: IP65 rated, ideal for both indoor and outdoor settings.
- Simple Integration: Easily replaces old lights, compatible with standard junction boxes.
- True Color Rendering: High CRI90+ for vibrant, natural-looking colors.

Affusolato Deck & Rail Light

SF3DECK-5WTORB27 / SF3DECK-5WTORB40



Specifications

Wattage: 5W

Voltage: 12-24V AC/DC

Luminous Flux: 300lm

Beam Angle: 120°

Color Rendering Index (CRI): 90

Lifespan: 30,000 Hours

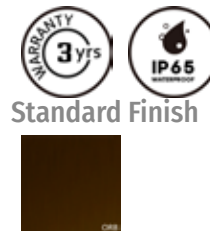
Light Source: LED

Color Temperature (CCT): Available in 2700K and 4000K models

Waterproof Rating: IP65

Operating Temperature: -4°F-140°F

Material: Material: Die-casting aluminum



Product description

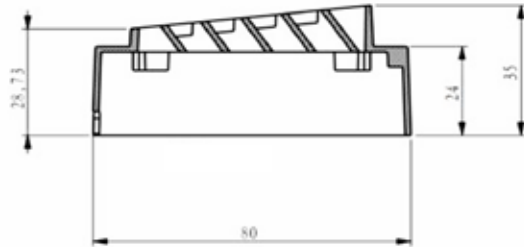
LEONLITE's LED Deck Light, with its modern downlight design, is great for outdoor ambient lighting. Sleek and compact (under 4 inches wide), it's ideal for American fences and stair posts. This light offers uniform LED illumination and low maintenance, perfect for prosumers and contractors.

Features & Benefits

- Modern design, under 4 inches wide, fits U.S. fences and stairs.
- Child and pet-friendly low voltage design.
- IP65 waterproof for versatile use.
- Easy setup, complete accessories, no bulb replacement.
- UL certified cable, 3-year warranty.
- Available in 2700K and 4000K models.

Ventilatore Deck & Rail Light

SF3DECK-3W30ORB



Specifications

Wattage: 3W

Voltage: 12V-24V AC/DC

Luminous Flux: 100lm

Beam Angle: 55°

Color Rendering Index (CRI): 90

Lifespan: 30,000 Hours

Light Source: LED

Color Temperature (CCT): 3000K warm white

Waterproof Rating: IP65

Operating Temperature: -4°F-104°F

Material: Aluminum & stainless steel



Standard Finish



Product description

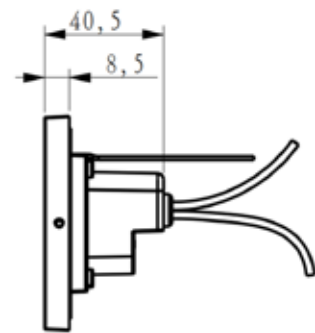
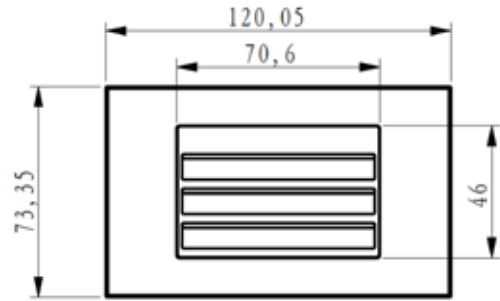
LEONLITE's LED Deck Lights offer a safe, waterproof lighting solution that complements any stair or railing. Their unique louver baffle design ensures a soft, glare-free light, with a high color rendition to brighten spaces with true-to-life colors.

Features & Benefits

- Safe for living spaces: suitable for 12-24V circuits, pet and child-Friendly.
- Glare-free design: louvered baffles direct light downward, enhancing comfort.
- Long-lasting: 30,000-hour lifespan reduces the need for replacements.
- Extended Reach: 55-degree beam spreads light effectively over large areas.
- Clean look: screwless surface and insect-resistant sealing maintain aesthetics.

Pro Parallel Retro Baffle Step & Deck Light - Thin Layers

SF3SLL0-SDS5D30H-BRNC / SF3SLL0-SDS5D30H-WHTC



Specifications

Wattage: 5W

Voltage: 120V AC

Luminous Flux: 280lm

Beam Angle: 15° (side), 120° (front)

Color Rendering Index (CRI): >90

Lifespan: 30,000 Hours

Light Source: LED

Color Temperature (CCT): 3000K warm white

Waterproof Rating: IP65

Operating Temperature: -4°F-104°F

Material: Aluminum & Iron



Standard Finish



Product description

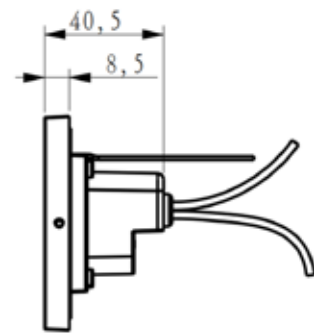
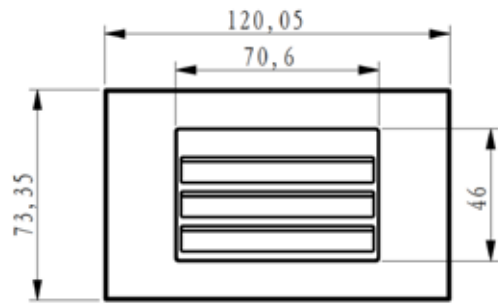
Equipped with an integrated LED and trapezoidal anti-glare design, this step light excels in corrosion resistance and heat dissipation. Its ultra-thin, screwless faceplate prevents glare and light leakage, ideal for both indoor and outdoor stair and wall installations without needing a transformer.

Features & Benefits

- Sleek, Anti-Glare Design.
- Easy Installation, Transformer-Free.
- Long Lifespan with Minimal Maintenance.
- Adjustable Brightness and High CRI.
- Weather-Resistant and IP65 Waterproof.

Pro Parallel Retro Baffle Step & Deck Light - Wide Layers

SF3SLL0-SDS5D30H-BRNW / SF3SLL0-SDS5D30H-WHTW



Specifications

Wattage: 5W

Voltage: AC 120V

Luminous Flux: 170lm

Beam Angle: 15° (side), 120° (front)

Color Rendering Index (CRI): 90

Lifespan: 30,000 Hours

Light Source: LED

Color Temperature (CCT): 3000K Warm White

Waterproof Rating: IP65

Operating Temperature: -4°F to 104°F

Material: Aluminum & Iron



Standard Finish



Product description

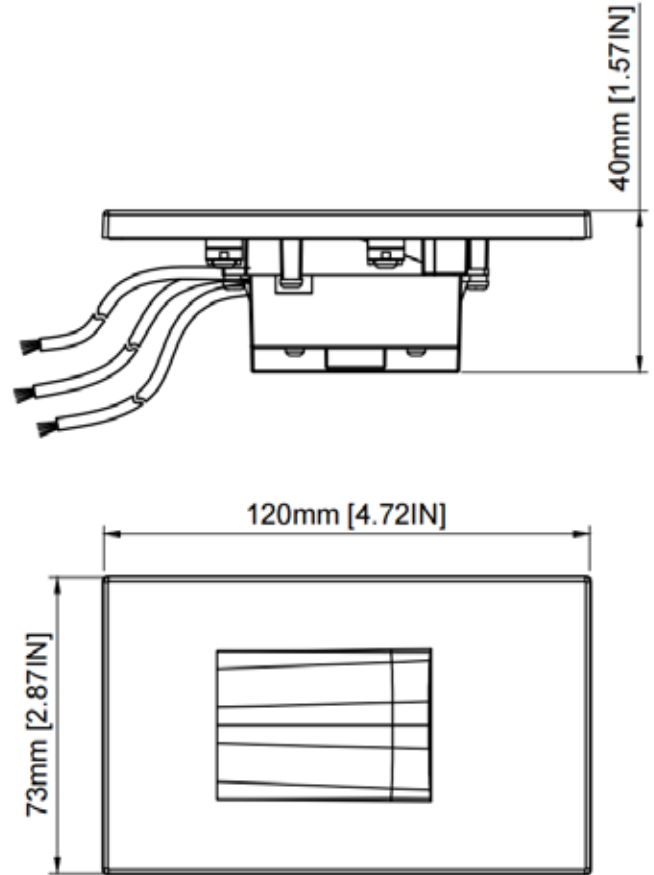
Enhance your space with the LEONLITE LED Step Light, featuring a classic louvered design for glare-free illumination on stairs and walls. With 120V direct line voltage, it requires no transformer, simplifying installation. Its sleek build fits any decor, and the smooth louvers enhance safety for both indoor and outdoor use.

Features & Benefits

- Glare-free louvered design for safety and elegance.
- Fully dimmable from 5% to 100% for customizable ambiance.
- ETL listed, suitable for extreme temperatures.
- Easy install with 120V direct line voltage, transformer-free.
- Broad lighting with a larger LED panel in a slim, safe design.

Pro Upright Gradience Step & Deck Light - 3000K

SF3STVT-3WORB30 / SF3STVT-3WWHT30



Specifications

Wattage: 3.5W
 Voltage: AC120V
 Luminous Flux: 110lm
 Beam Angle: 30°
 Color Rendering Index (CRI): 90
 Lifespan: 30,000 Hours
 Light Source: LED
 Color Temperature (CCT): 3000K
 Waterproof Rating: IP65
 Operating Temperature: -4°F - 104°F
 Material: Aluminum & iron



Product description

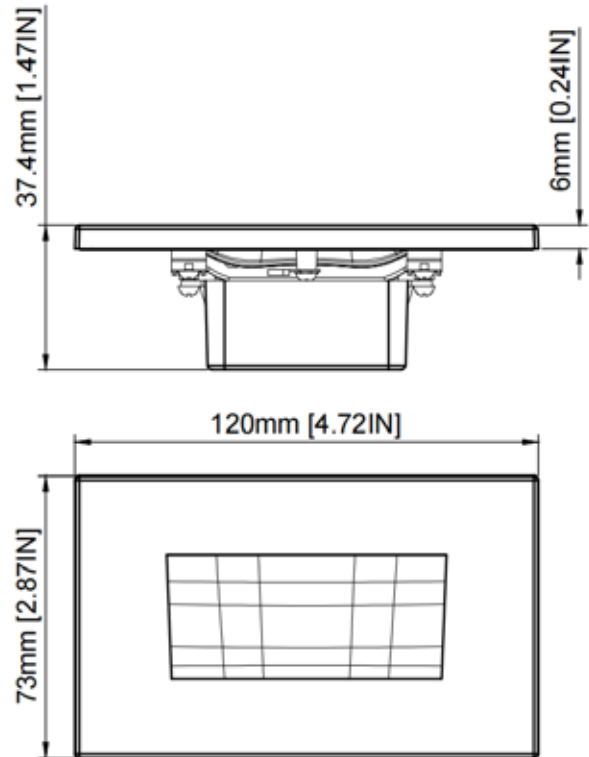
Discover LEONLITE's 120V LED Step Lights, featuring a hidden light source to prevent glare, and a smooth 5%-100% dimmable range. Suitable for both indoor and outdoor settings. The high CRI90 enhances visual comfort, making them ideal for staircases and walls.

Features & Benefits

- Anti-Glare Design: Hidden light source minimizes discomfort and eye strain.
- Adjustable Brightness: Dimmable from 5% to 100%, tailoring light to your needs.
- Waterproof and Durable: IP65 rated, ideal for both indoor and outdoor settings.
- Simple Integration: Easily replaces old lights, compatible with standard junction boxes.
- True Color Rendering: High CRI90+ for vibrant, natural-looking colors.

Pro Parallel Gradiance Step & Deck Light - 5CCT

SA7SLLO-HVDS3D5CCTH



Specifications

Wattage: 3.5W

Voltage: AC120V

Luminous Flux: 150lm

Beam Angle: 30°

Color Rendering Index (CRI): 90

Lifespan: 30,000 Hours

Light Source: LED

Color Temperature (CCT): 2700K/3000K/3500K/4000K/5000K selectable

Waterproof Rating: wet location

Operating Temperature: -20-45°C / -4-113°F

Material: Aluminum & iron



Product description

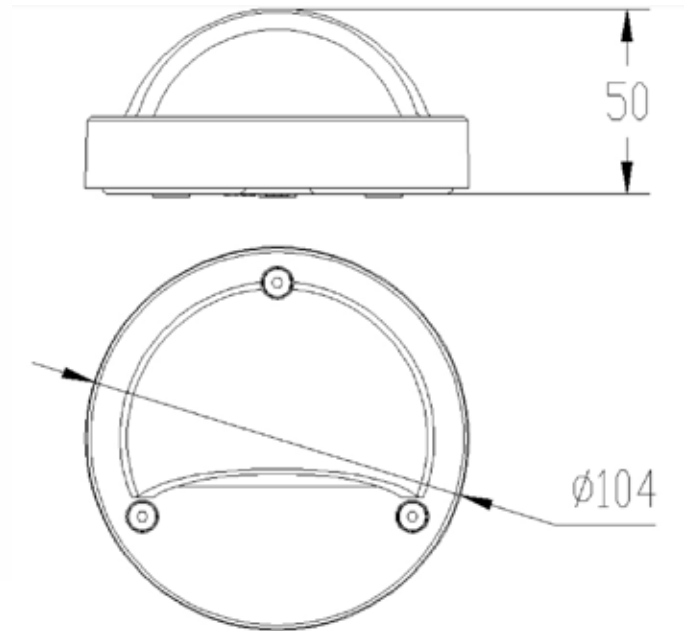
Discover LEONLITE's 120V LED Step Lights, featuring a hidden light source to prevent glare, and a smooth 5%-100% dimmable range. Suitable for both indoor and outdoor settings, these lights offer 5 selectable color temperatures, ensuring consistent lighting in any environment. The high CRI90 enhances visual comfort, making them ideal for staircases and walls.

Features & Benefits

- Anti-Glare Design: Hidden light source minimizes discomfort and eye strain.
- Color Temperature Choice: 2700K/3000K/3500K/4000K/5000K options, ensuring consistent lighting.
- Adjustable Brightness: Dimmable from 5% to 100%, tailoring light to your needs.
- Waterproof and Durable: Ideal for both indoor and outdoor settings.
- Simple Integration: Easily replaces old lights, compatible with standard junction boxes.
- True Color Rendering: High CRI90+ for vibrant, natural-looking colors.

Semisfera Deck & Rail Light

SJ15DLLO-RDL1N30-BLK / SJ15DLLO-RDL1N30-BRN / SJ15DLLO-RDL1N30-BRZ / SJ15DLLO-RDL1N30-SN



Specifications

Wattage: 2.3W
 Voltage: AC/DC 12-36V
 Luminous Flux: 170lm
 Beam Angle: 120°
 Color Rendering Index (CRI): 80
 Lifespan: 50000 Hours
 Light Source: LED
 Color Temperature (CCT): 3000K
 Waterproof Rating: IP65
 Operating Temperature: -4°F to 113°F (-20°C to 45°C)
 Material: Die-casted aluminum



Standard Finish



Product description

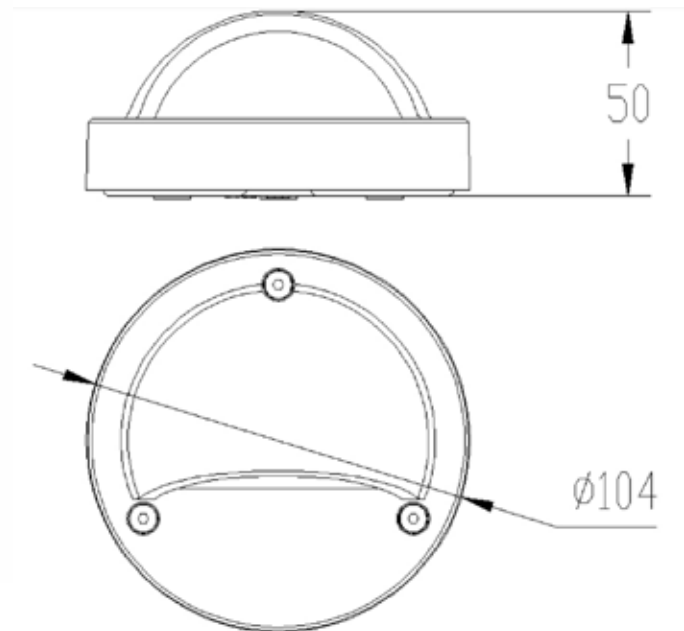
LED Low Voltage Deck & Rail Lights deliver consistent, low-maintenance lighting in a classic design with anti-glare downlight for ambiance. Versatile 4-inch width fits US fences, posts, and steps; available in Matte Brown, Brass Yellow, Matte Black, Satin Nickel, supporting 12-36VACDC for optimal power without voltage drop.

Features & Benefits

- Classic design, frosted glass for glare-free ambient light
- 12-36VACDC range supports various power, minimizes drop
- 4-inch wide for American fences, stair posts, steps
- Matte Brown, Brass Yellow, Matte Black, Satin Nickel match decor
- ETL certified, IP65 waterproof for safety, weather resistance

Semisfera Deck & Rail Light - Matte Black

SJ15DLLO-RDL2N3CCT-BLK

**Specifications**

Wattage: 2.5W

Voltage: AC/DC 12-36V

Luminous Flux: 170lm(2700K)/180lm(3000K)/200lm(4000K)

Beam Angle: 120°

Color Rendering Index (CRI): 80

Lifespan: 50000 Hours

Light Source: LED

Color Temperature (CCT): 2700K/3000K/4000K adjustable

Waterproof Rating: IP65

Operating Temperature: -4°F to 113°F (-20°C to 45°C)

Material: Die-casted aluminum



Standard Finish

**Product description**

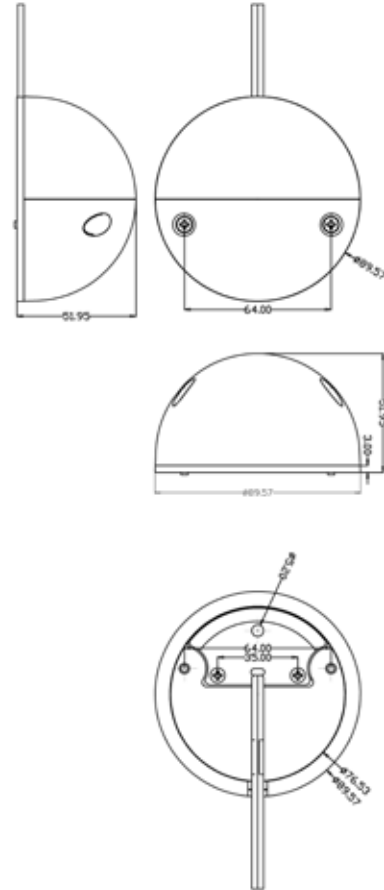
LED Low Voltage Deck & Rail Lights provide consistent, maintenance-free lighting with a classic look and anti-glare downlighting. A 4-inch width fits standard US fences and posts, while 3CCT adjustability complements existing yard lighting. The 12-36VACDC range maintains optimal power and prevents voltage drop.

Features & Benefits

- Classic design, frosted glass for glare-free ambient light
- 12-36VACDC range supports various power, minimizes drop
- 4-inch wide for American fences, stair posts, steps
- 3CCT adjustable to harmonize with existing yard lighting
- ETL certified, IP65 waterproof for safety, weather resistance

Nova Deck & Rail Light - 3000K

SJ15HSLLO-RDL2N30-ORB / SJ15HSLLO-RDL2N30-BRZ



Specifications

Wattage: 2.5W
 Voltage: AC/DC 12-36V
 Luminous Flux: 160lm
 Beam Angle: 120°
 Color Rendering Index (CRI): 80
 Lifespan: 50000 Hours
 Light Source: LED
 Color Temperature (CCT): 3000K
 Waterproof Rating: IP65
 Operating Temperature: -13°F to 113°F (-25°C to 45°C)
 Material: Die-casted aluminum



Standard Finish



Product description

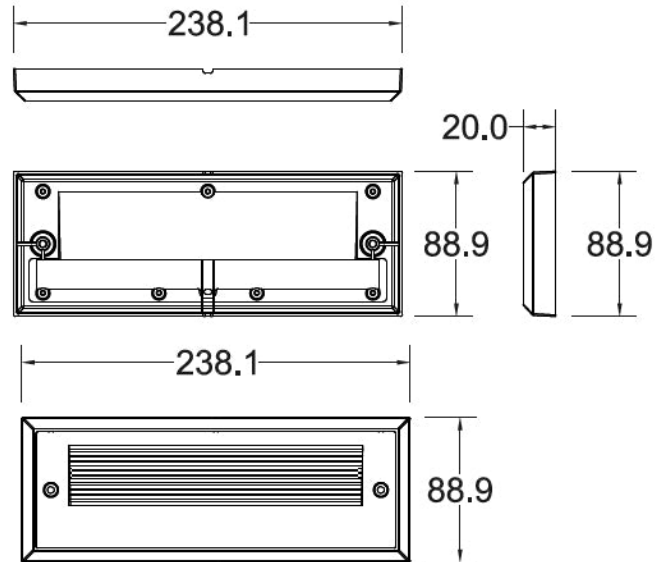
Modern style LED Low Voltage Deck & Rail Lights feature a unique radiating light effect with anti-glare shielding, suitable for higher placement. The dual AC/DC 12-36V compatibility ensures maximum prevention of voltage drop. At about 4 inches wide, they're ideally sized for American fences, stair posts, and steps.

Features & Benefits

- Unique radiating light effect adds artistic ambiance
- Anti-glare shield for high placement, enhancing comfort
- 12-36V AC/DC compatibility prevents voltage drop
- 4-inch design fits US fences, stair posts, steps
- IP65 waterproof for all-weather durability
- Pre-molded cable groove, special heat dissipation lowers installation, maintenance costs

Retro Baffle Step & Deck Light

SJ15DLL0-SDL4N27-ORB



Specifications

Wattage: 3.5W

Voltage: AC/DC 12-36V

Luminous Flux: 260lm

Beam Angle: 150°

Color Rendering Index (CRI): 80

Lifespan: 50,000 Hours

Light Source: LED

Color Temperature (CCT): 3000K Warm White

Waterproof Rating: IP65

Operating Temperature: -13°F-113°F

Material: Aluminum



Standard Finish



Product description

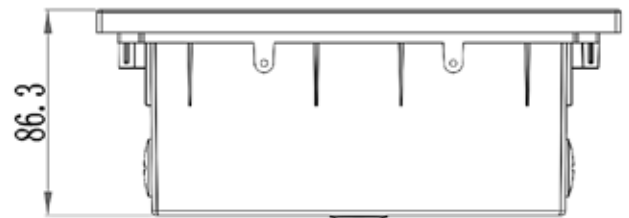
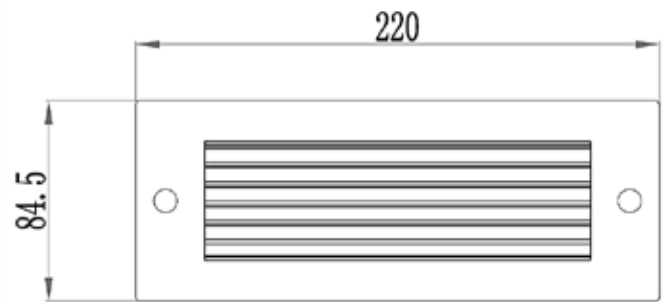
This surface-mount Low Voltage Step & Deck Light, requiring no installation holes, is well-suited for extended steps due to its longer design. It operates on 12-36V AC/DC, ideal for railings with its 3.5-inch width and low voltage design, while its high voltage capacity reduces voltage drop. The downward lighting with a ribbed diffuser ensures glare prevention.

Features & Benefits

- No-cut installation, longer for wide steps
- Step/railing light, low voltage for efficiency and safety
- 12-36V compatibility, prevents voltage drop
- Downcast light, ribbed diffuser for no-glare
- IP65 weatherproof, 3-year warranty

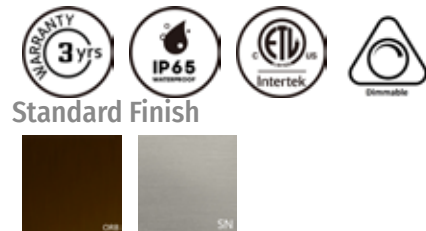
ZincTech Commercial Louvered Step & Deck Light

ST1SLLO-HDW4D3CCTH



Specifications

Wattage: 4.5W
 Voltage: AC 120-277V
 Luminous Flux: 300lm
 Beam Angle: 30°
 Color Rendering Index (CRI): >90
 Lifespan: 30,000 Hours
 Light Source: LED
 Color Temperature (CCT): 2700K / 3000K / 4000K selectable
 Waterproof Rating: IP65
 Operating Temperature: -4°F-104°F
 Material: Zinc Alloy



Product description

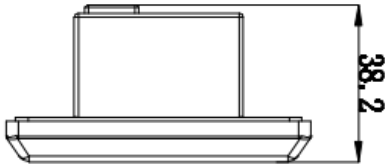
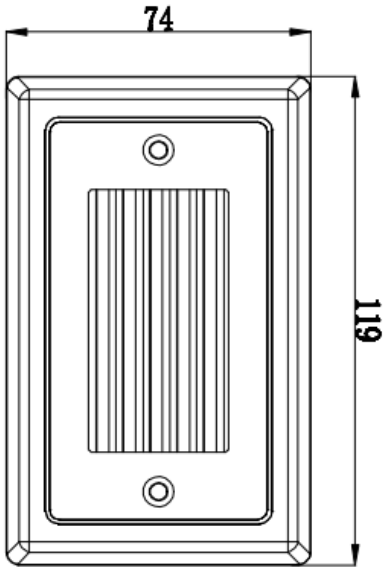
LEONLITE's 120V-277V LED Step Lights are ideal for professional environments, with durable, corrosion-resistant zinc alloy and glare-free louvers. Offering high CRI of 90 and three selectable temperatures, these dimmable lights suit various indoor and outdoor spaces.

Features & Benefits

- Professional-Grade High Voltage: 120V-277V adaptability for diverse commercial settings.
- Durable Zinc Alloy Construction: Ideal for corrosive coastal environments, wear-resistant.
- Dimmable with Anti-Glare Design: Customizable brightness, comfortable downward lighting for steps and walls.
- Three Selectable Color Temperatures: 2700K/3000K/4000K options for varied ambiance settings.
- High CRI for True Color: CRI90 for vivid, natural color rendering in both residential and commercial use.

Pro Parallel Retro Louvered Step & Deck Light

ST1SLLO-SDS3D30H-BRN-CW



Specifications

- Wattage: 3W
- Voltage: 120V AC
- Luminous Flux: 150lm
- Beam Angle: 30°
- Color Rendering Index (CRI): 90+
- Lifespan: 30,000 Hours
- Light Source: LED
- Color Temperature (CCT): 3000K warm white
- Waterproof Rating: IP65
- Operating Temperature: -4°F to 104°F
- Material: Aluminum



Product description

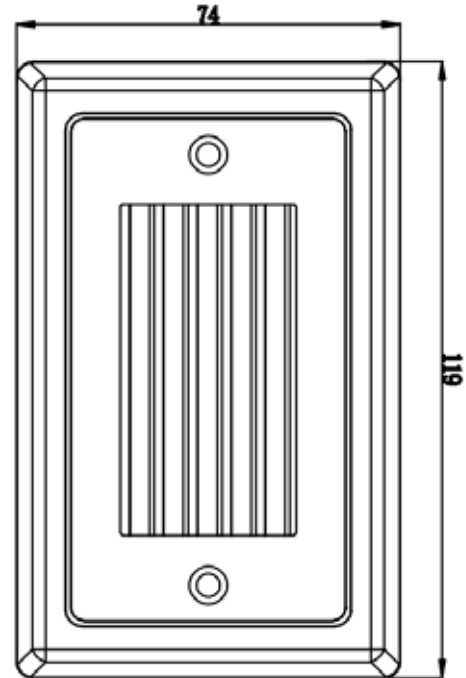
LEONLITE's 120V LED Step Lights blend classic design with modern technology. Featuring a louvered faceplate for glare reduction, these dimmable lights are ideal for both indoor and outdoor staircases, enhancing safety and ambiance with a warm, consistent glow.

Features & Benefits

- Classic Louvered Design: Minimizes glare, ideal for aesthetic and safe lighting.
- 120V Direct Line Voltage: Eliminates the need for a transformer, simplifying setup.
- Flexible Dimming: 10% to 100% adjustability, offering customized lighting levels.
- Suitable for All Weathers: IP65 waterproof rating, perfect for indoor and outdoor use.
- Broad Illumination, True Colors: Covers a wide area with high CRI90 for vivid color display.

Tende Orizzontali Step & Deck Light

ST1SLLO-SDL3D30H-BRN-VT / ST1SLLO-SDL3D30H-SS-VT

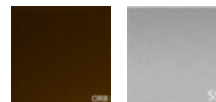


Specifications

- Wattage: 3W
- Voltage: AC/DC 10V-16V
- Luminous Flux: 150lm
- Beam Angle: 30°
- Color Rendering Index (CRI): 90
- Lifespan: 30,000 Hours
- Light Source: LED
- Color Temperature (CCT): 3000K warm white
- Waterproof Rating: IP65
- Operating Temperature: -4°F to 104°F
- Material: 304 stainless steel cover / Aluminum cover



Standard Finish



Product description

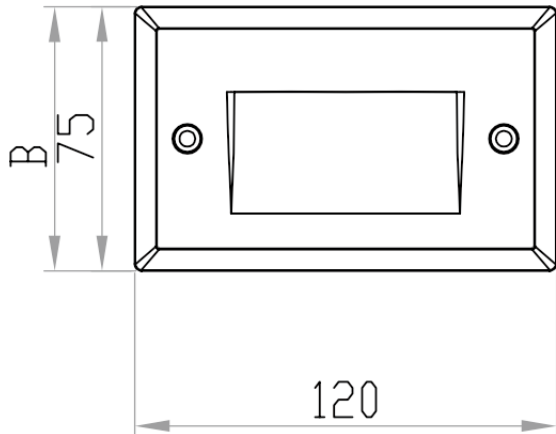
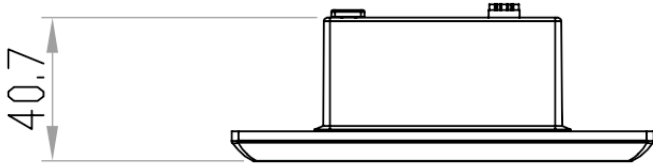
LEONLITE's Dual-Purpose Step and Deck Lights feature an ultra-slim, surface mount design, ideal for stair and railing installations. These low-voltage, 3W LED lights are safe for high-contact areas, providing consistent illumination with an integrated louver baffle to prevent glare and a frosted lens for a soft glow.

Features & Benefits

- Ultra-Slim & Safe: Slim design with hidden blades prevents scratches, enhancing user safety.
- Glare-Free Lighting: Louvered baffle and frosted lens for a soft, even glow without harsh glare.
- Flexible Placement: Suitable for steps, railings, and stair posts due to low-voltage operation and sleek design.
- Surface Mounting: Drill-only installation, no surface cutting needed.
- Durable & Weatherproof: IP65 rated with corrosion-resistant cover, perfect for outdoor environments.

ZincTech Commercial Parallel Gradient Step & Deck Light

ST1SLLO-HZADW2D3CCTH



Specifications

- Wattage: 2.5W
- Voltage: AC 120-277V
- Luminous Flux: 150lm
- Beam Angle: 30°
- Color Rendering Index (CRI): >90
- Lifespan: 30,000 Hours
- Light Source: LED
- Color Temperature (CCT): 2700K / 3000K / 4000K selectable
- Waterproof Rating: IP65
- Operating Temperature: -4°F-104°F
- Material: Zinc Alloy



Product description

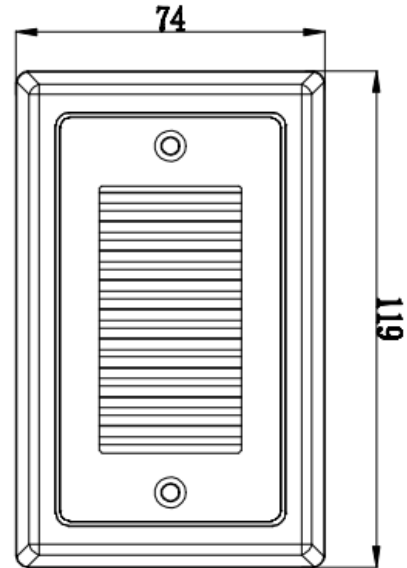
LEONLITE's 120V-277V LED Step Lights are perfect for professional settings, featuring durable, corrosion-resistant zinc alloy and a hidden light source design for glare reduction. With a high CRI of 90 and three selectable color temperatures, these dimmable lights are versatile for both indoor and outdoor spaces.

Features & Benefits

- Professional-Grade High Voltage: 120V-277V adaptability for diverse commercial settings.
- Durable Zinc Alloy Construction: Ideal for corrosive coastal environments, wear-resistant.
- Dimmable with Anti-Glare Design: Customizable brightness, comfortable downward lighting for steps and walls.
- Three Selectable Color Temperatures: 2700K/3000K/4000K options for varied ambiance settings.
- High CRI for True Color: CRI90 for vivid, natural color rendering in both residential and commercial use.

Pro Upright Retro Louvered Step & Deck Light

ST1SLLO-SDS3D30H-BRN-VT



Specifications

Wattage: 3W

Voltage: 120V AC

Luminous Flux: 150lm

Beam Angle: 30°

Color Rendering Index (CRI): 90+

Lifespan: 30,000 Hours

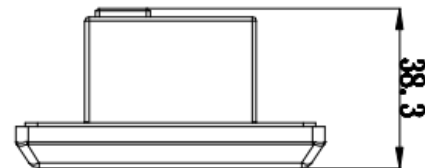
Light Source: LED

Color Temperature (CCT): 3000K warm white

Waterproof Rating: IP65

Operating Temperature: -4°F to 104°F

Material: Aluminum



Standard Finish



Product description

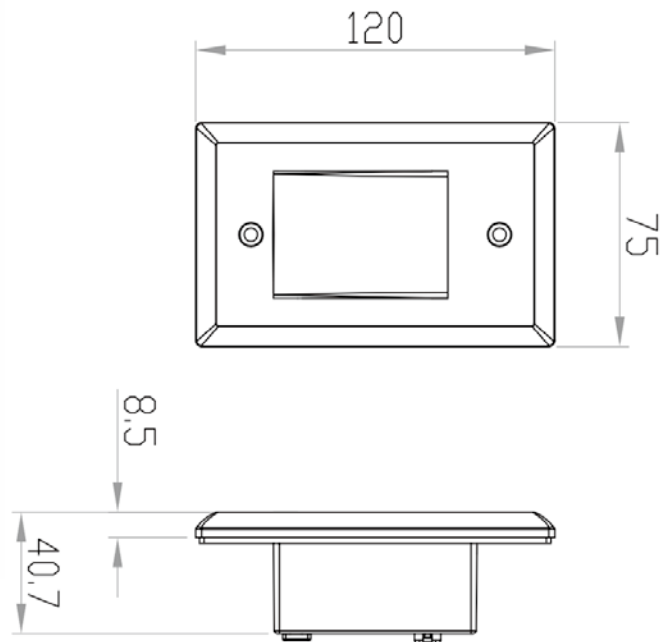
LEONLITE's 120V LED Step Lights blend classic design with modern technology. Featuring a louvered faceplate for glare reduction, these dimmable lights are ideal for both indoor and outdoor staircases, enhancing safety and ambiance with a warm, consistent glow.

Features & Benefits

- Classic Louvered Design: Minimizes glare, ideal for aesthetic and safe lighting.
- 120V Direct Line Voltage: Eliminates the need for a transformer, simplifying setup.
- Flexible Dimming: 10% to 100% adjustability, offering customized lighting levels.
- Suitable for All Weathers: IP65 waterproof rating, perfect for indoor and outdoor use.
- Broad Illumination, True Colors: Covers a wide area with high CRI90 for vivid color display.

ZincTech Commercial Upright Gradience Step & Deck Light

ST1SLLO-VZADW2D3CCTH



Specifications

Wattage: 2.5W

Voltage: AC 120-277V

Luminous Flux: 150lm

Beam Angle: 30°

Color Rendering Index (CRI): >90

Lifespan: 30,000 Hours

Light Source: LED

Color Temperature (CCT): 2700K / 3000K / 4000K selectable

Waterproof Rating: IP65

Operating Temperature: -4°F-104°F

Material: Zinc Alloy



Standard Finish



Product description

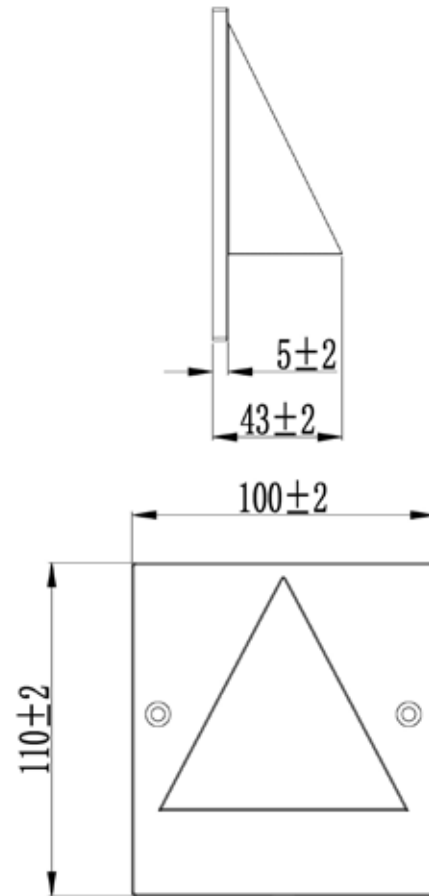
LEONLITE's 120V-277V LED Step Lights are perfect for professional settings, featuring durable, corrosion-resistant zinc alloy and a hidden light source design for glare reduction. With a high CRI of 90 and three selectable color temperatures, these dimmable lights are versatile for both indoor and outdoor spaces.

Features & Benefits

- Professional-Grade High Voltage: 120V-277V adaptability for diverse commercial settings.
- Durable Zinc Alloy Construction: Ideal for corrosive coastal environments, wear-resistant.
- Dimmable with Anti-Glare Design: Customizable brightness, comfortable downward lighting for steps and walls.
- Three Selectable Color Temperatures: 2700K/3000K/4000K options for varied ambiance settings.
- High CRI for True Color: CRI90 for vivid, natural color rendering in both residential and commercial use.

Vertebre Deck & Rail Light

SX4LSLLO-TDL2N3CCT



Specifications

Wattage: 1.5W

Voltage: 12-24V AC/DC

Luminous Flux: 80lm

Beam Angle: 160°

Color Rendering Index (CRI): ≥80

Lifespan: 30,000 Hours

Light Source: LED

Color Temperature (CCT): 2700K/3000K/4000K Adjustable

Waterproof Rating: IP65

Operating Temperature: -4°F to 122°F

Material: Die-casted aluminum



Product description

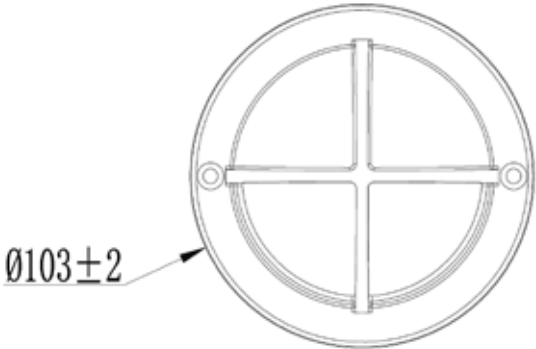
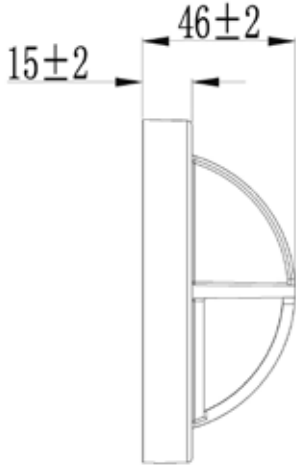
With a minimalist design and glare-reducing downlighting, these compact deck lights, measuring less than 4 inches wide and equipped with a safe 12V-24V AC/DC input, are ideally suited as railing lights. Their low-voltage design ensures safety for frequent contact on wooden structures, making them perfect for use on American fences, railing lights, and stairway posts.

Features & Benefits

- Modern minimalist design; glare-reducing downlighting for aesthetic and functional illumination.
- Compact under 4 inches wide; safe 12V-24V AC/DC ideal for wooden railings and frequent touch areas.
- 3CCT selectable (2700K/3000K/4000K); customizable ambiance for outdoor settings.
- IP65 rated and ETL certified, ensuring durability, weatherproof performance, and safety reliability.

Quadrifoglio Deck & Rail Light

SX4LSLLO-RDL2N3CCT



Specifications

- Wattage: 1.5W
- Voltage: 12-24V AC/DC
- Luminous Flux: 50lm
- Beam Angle: 160°
- Color Rendering Index (CRI): 80+
- Lifespan: 30,000 Hours
- Light Source: LED
- Color Temperature (CCT): 2700K / 3000K / 4000K Adjustable
- Waterproof Rating: IP65
- Operating Temperature: -4°F to 122°F
- Material: Die-cast Aluminum



Standard Finish



Product description

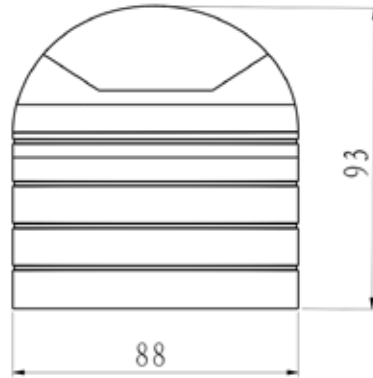
Classic vintage look and impact-resistant; under 4 inches wide and compatible with 12V-24V AC/DC, ideal for railing lights on fences and stair posts. The half-sided design reduces night glare and illuminates surroundings. A PC lampshade ensures a soft yard glow.

Features & Benefits

- Compact size under 4 inches; 12V-24V AC/DC adaptable; perfect for fence and stair railing lighting.
- Half-sided design reduces glare; illuminates surroundings; improves night visibility and ambiance.
- Elegant, retro design; impact-resistant for durability; enhances outdoor aesthetics.
- Selectable color temperatures (2700K/3000K/4000K).
- IP65 water-resistant; ETL listed for safety.

Schermo Deck & Rail Light

SF3SLLO-CDL5N30H-ORB



Specifications

Wattage: 5W

Voltage: AC/DC 12V - 24V

Luminous Flux: 250lm

Beam Angle: 120°

Color Rendering Index (CRI): 90

Lifespan: 30,000 Hours

Light Source: LED

Color Temperature (CCT): 3000K Warm White

Waterproof Rating: IP65

Operating Temperature: -4°F-140°F

Material: Aluminum



Standard Finish



Product description

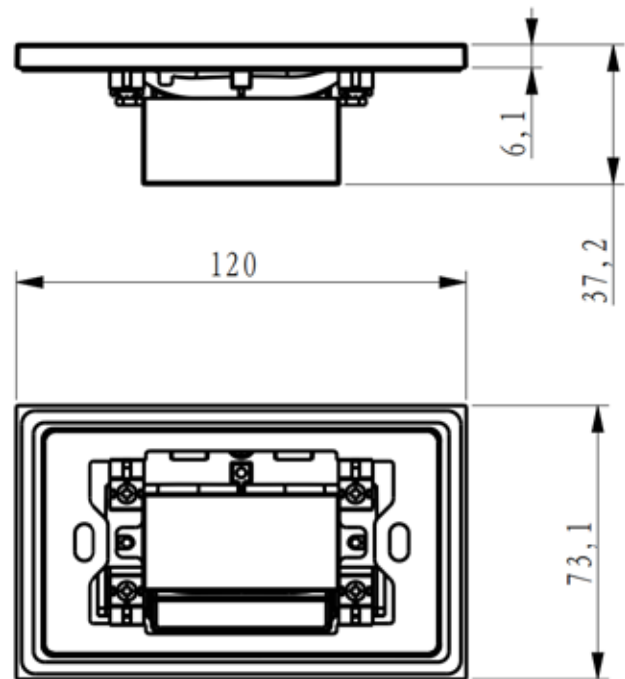
LEONLITE's LED Fence Down Lights are perfect for fences and stair columns, offering a discreet 'Small Brim' design for downward, anti-dazzling light. Their low voltage compatibility makes them ideal for most landscape lighting systems, with a durable, waterproof build and dual port design for easy wiring.

Features & Benefits

- Anti-glare 'Small Brim' design, neighbor-friendly lighting.
- Compatible with 12V systems, easy prosumer and contractor integration.
- Innovative double port design, concealed wiring for aesthetic appeal.
- CRI90 for true-to-life colors, ultra-bright 250LM for enhanced visibility.
- IP65 waterproof, durable oil-rubbed bronze finish, stainless steel mounting for extended outdoor use.

Pro Parallel Gradient Step & Deck Light - 3CCT

SF3SLLO-HVDS3D3CCTH



Specifications

Wattage: 3.5W

Voltage: AC120V

Luminous Flux: 150lm

Beam Angle: 30°

Color Rendering Index (CRI): 90

Lifespan: 30,000 Hours

Light Source: LED

Color Temperature (CCT): 3000K/4000K/5000K selectable

Waterproof Rating: IP65

Operating Temperature: -4°F - 104°F

Material: Aluminum & iron



Standard Finish



Product description

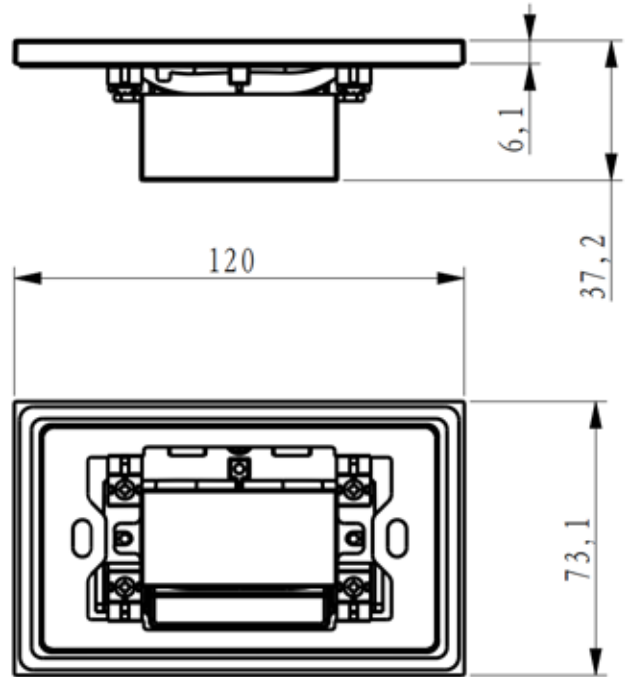
Discover LEONLITE's 3CCT 120V LED Step Lights, featuring a hidden light source to prevent glare, and a smooth 5%-100% dimmable range. Suitable for both indoor and outdoor settings, these lights offer three selectable color temperatures, ensuring consistent lighting in any environment. The high CRI90 enhances visual comfort, making them ideal for staircases and walls.

Features & Benefits

- Anti-Glare Design: Hidden light source minimizes discomfort and eye strain.
- Color Temperature Choice: 3000K/4000K/5000K options, ensuring consistent lighting.
- Adjustable Brightness: Dimmable from 5% to 100%, tailoring light to your needs.
- Waterproof and Durable: IP65 rated, ideal for both indoor and outdoor settings.
- Simple Integration: Easily replaces old lights, compatible with standard junction boxes.
- True Color Rendering: High CRI90+ for vibrant, natural-looking colors.

Pro Parallel Gradient Step & Deck Light - 3000K

SF3STCW-3WORB30 / SF3STCW-3WWHT30



Specifications

Wattage: 3.5W

Voltage: AC120V

Luminous Flux: 150lm

Beam Angle: 30°

Color Rendering Index (CRI): 90

Lifespan: 30,000 Hours

Light Source: LED

Color Temperature (CCT): 3000K

Waterproof Rating: IP65

Operating Temperature: -4°F - 104°F

Material: Aluminum & iron



Standard Finish



Product description

Discover LEONLITE's 120V LED Step Lights, featuring a hidden light source to prevent glare, and a smooth 5%-100% dimmable range. Suitable for both indoor and outdoor settings. The high CRI90 enhances visual comfort, making them ideal for staircases and walls.

Features & Benefits

- Anti-Glare Design: Hidden light source minimizes discomfort and eye strain.
- Adjustable Brightness: Dimmable from 5% to 100%, tailoring light to your needs.
- Waterproof and Durable: IP65 rated, ideal for both indoor and outdoor settings.
- Simple Integration: Easily replaces old lights, compatible with standard junction boxes.
- True Color Rendering: High CRI90+ for vibrant, natural-looking colors.



**LEONLITE®
PATH LIGHTING**

Our curated lighting designs and scenes serve as a starting point, not a constraint, facilitating quick solution matching for contractors and inspiration for homeowners.

Upgraded Lighting Solutions

Experience superior design and functionality



Quadra Rotondo LED Path Light



Crescente LED Path Light



XGEN™ Dual-spot LED Path Light



Nero Gold LED Path Light



Fulmine Gold LED Path Light



Piramide del Tempio LED Path Light - RGB



O-ring Colorato LED Path Light - Smart Control



Piano In-Grade Well Light



Grated In-Grade Well Light



Shielded In-Grade Well Light

Directional Road-Focused Illumination

Single-sided lighting engineered to brighten road surfaces, ensuring clear visibility.



XGEN™ Dual-spot LED Path Light



Crescente LED Path Light



Escavatori LED Path Light



Petali Rovesciato LED Path Light



Crescente In-Grade Well Light

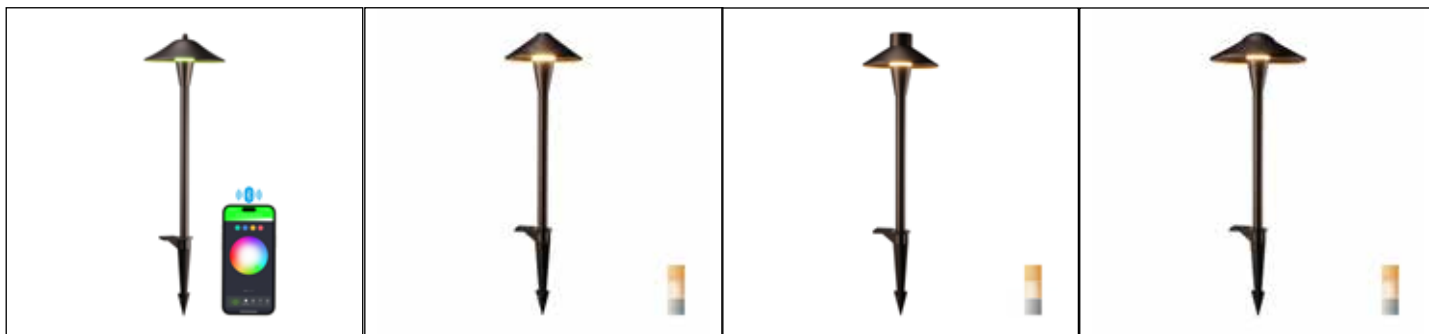


Primo Quarto In-Grade Well Light



Low Plants and Nearby Paths Illumination

Designed to illuminate low-growing plants either on their own or concurrently light up adjacent pathways



XGEN™ Smart LED Path Light - RGB

XGEN™ Cono LED Path Light

XGEN™ Piatto LED Path Light

XGEN™ Floscio LED Path Light



Antico LED Path Light

Fulmine Gold LED Path Light

Nero Gold LED Path Light

Ombrello LED Path Light



Expansive Scenes with Sparse Vegetation Illumination

With a distinctive glow effect, these lights are ideal for wide, sparsely vegetated spaces, fitting modern architectural and garden designs.



Piramide del Tempio LED Path Light - RGB



Quadra Rotondo LED Path Light



Stella Bitta LED Path Light



Piano Quadrato LED Path Light



Fortezza In-Grade Well Light



Pathway Outline Lighting

With a focus on marking the edges of pathways through non-continuous illumination, these lights ensure clear boundary visibility.



Mini Bollard LED Path Light



O-ring Colorato LED Path Light - Smart Control



O-ring Unico/Colorato LED Path Light



Piramide del Tempio LED Path Light - RGB



Emisferi Sky-up LED Path Light



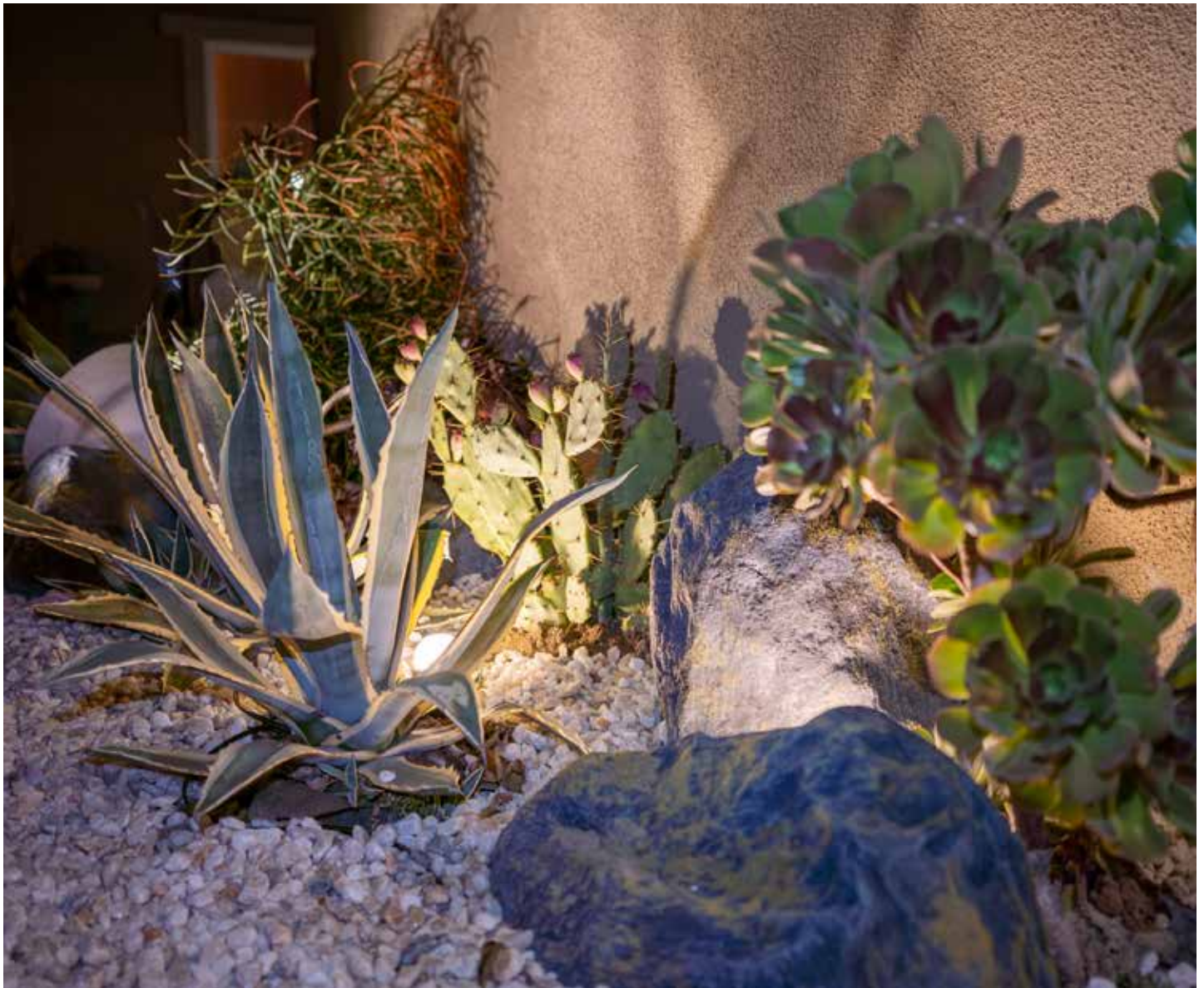
Xeriscape Decorative Lighting

Perfectly suited to enhance xeriscapes, these lights serve as the ideal choice for adding decorative touches to water-efficient landscapes.



Emisferi Sky-up LED Path Light

Fortezza In-Grade Well Light



Lighting for Wall-Washing and Grazing Effects

While these lights excel in wall-washing and grazing, they are equally versatile for a breadth of lighting strategies.



Piano In-Grade Well Light

Grated In-Grade Well Light

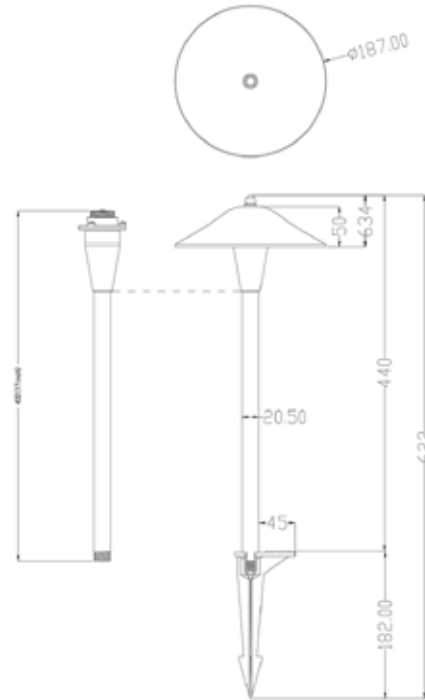
Shielded In-Grade Well Light

Essential In-Grade Well Light



XGEN Smart LED Path Light

SF3LSLLO-AVDL5D5CH-ORB-BLE



Specifications

Wattage: 5W

Voltage: 12-24V AC/DC

Luminous Flux: 200 lumens

Beam Angle: 120°

Color Rendering Index (CRI): CRI 90, for 3000-5000K CCT

Lifespan: 30,000 Hours

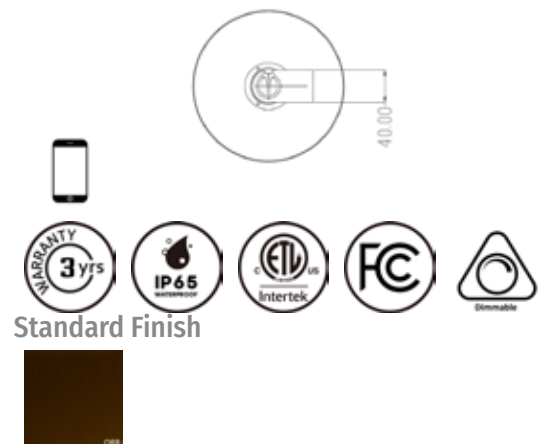
Light Source: LED

Color Temperature (CCT): 3000K-5000K

Waterproof Rating: IP65

Operating Temperature: -4°F to 104°F

Material: Die-Casted Aluminum



Product description

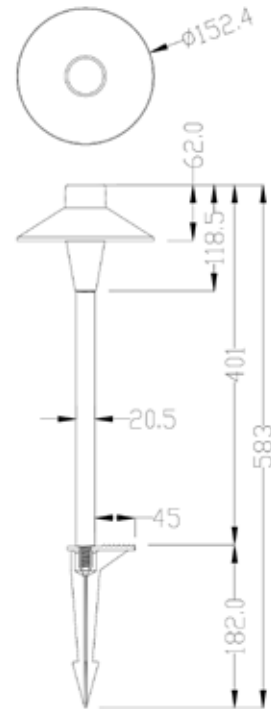
LEONLITE's Smart Pathway Lights bring color to your garden with easy Bluetooth control, offering 16 million hues in a weather-resistant, classic design.

Features & Benefits

- 16 million colors, warm to cool white, app-controlled.
- Easy setup, no bulb changes, ETL-listed, IP65 waterproof.
- 5W LED, 200lm output, safe 12-24V operation.
- Music sync, dimmable, durable aluminum housing.
- Long-life illumination, Bluetooth-enabled, CRI90 for true color.

XGEN Piatto LED Path Light

SF3LSLLO-CUDL5N3CCTH-ORB



Specifications

Wattage: 5W

Voltage: 12-24V AC/DC

Luminous Flux: 150lm

Beam Angle: 120°

Color Rendering Index (CRI): 90+

Lifespan: 30,000 Hours

Light Source: LED

Color Temperature (CCT): 3000K / 4000K / 5000K Adjustable

Waterproof Rating: IP65

Operating Temperature: -4°F to 104°F

Material: Aluminum



Standard Finish



Product description

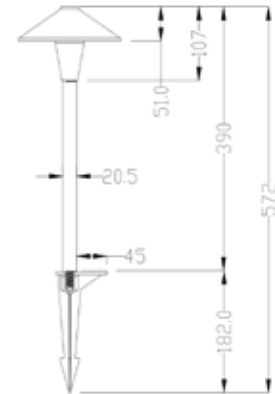
Bring a retro vibe to your exterior lighting with LEONLITE's Pathway Lights, featuring seamless LED integration for extensive, even lighting that captures the beauty of classic landscape designs.

Features & Benefits

- Select from 3000K, 4000K, or 5000K color temperatures to customize pathway and garden illumination with high color accuracy, thanks to the CRI90 rating.
- User-friendly installation, Streamlined installation process with a special pedal stake and waterproof wire connectors.
- Robust aluminum housing with an oil-rubbed bronze finish ensures lasting outdoor use, offering both aesthetic appeal and resistance to the elements.

XGEN Cono LED Path Light

SF3LSLLO-FHUDL5N3CCTH-ORB



Specifications

Wattage: 5W.

Voltage: 12-24V AC/DC.

Luminous Flux: 150lm.

Beam Angle: 120°

Color Temperature (CCT): 3000K/4000K/5000K Adjustable.

Color Rendering Index (CRI): 90+.

Light Source: LED

Lifespan: 30,000 Hours.

Waterproof Rating: IP65.

Operating Temperature: -4°F to 104°F.

Material: Aluminum.



Standard Finish



Product description

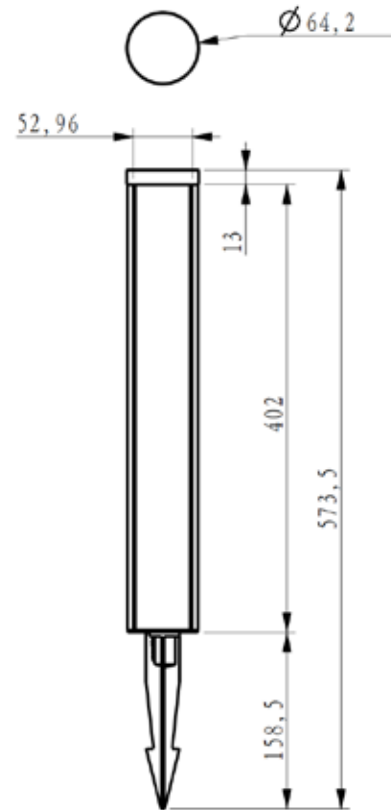
Crafted for consistency and style, LEONLITE's Pathway Lights deliver superior light quality with a selectable color temperature range. The retro-inspired design ensures these lights stand out, offering pro-sumers a dependable, adjustable outdoor lighting with a distinguished look.

Features & Benefits

- Vintage style meets modern LED in 3000K/4000K/5000K settings.
- Weatherproof IP65, durable across temperature extremes.
- Quick and simple installation with Cleated foot step design.
- Suitable for 12-24V AC/DC low voltage systems.
- High CRI90 ensures vibrant, accurate lighting.

Crescente LED Path Light

SF3LSLLO-HCDL5N30H-ORB



Specifications

Wattage: 5W

Voltage: 12V-24V AC/DC

Luminous Flux: 150lm

Beam Angle: 120°

Color Rendering Index (CRI): 90+

Lifespan: 50,000 Hours

Light Source: LED

Color Temperature (CCT): 3000K/4000K/5000K Adjustable

Waterproof Rating: IP65

Operating Temperature: -4°F to 104°F

Material: Aluminum



Standard Finish



Product description

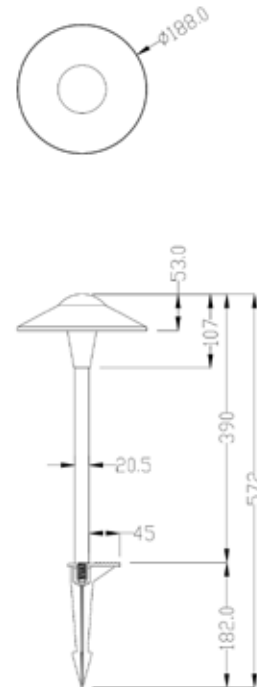
LEONLITE LED Pathway Lights provide a focused, one-sided illumination to paths and lawns, harnessing the efficiency and consistency of integrated LED technology for precise outdoor lighting.

Features & Benefits

- One-sided 200LM LED lighting, perfect for pathways and lawns, with a durable, waterproof aluminum design for all-weather use.
- Soft, sector lighting with 165° beam angle, designed for glare-free illumination in gardens and sidewalks.
- Easy-to-install, low voltage, and child-safe, these lights enhance outdoor spaces with a long-lasting 50,000-hour lifespan.

XGEN Floscio LED Path Light

SF3LSLLO-HEUDL5N3CCTH-ORB



Specifications

Wattage: 5W
 Voltage: 12V-24V AC/DC
 Luminous Flux: 150lm
 Beam Angle: 120°
 Color Rendering Index (CRI): 90+
 Lifespan: 30,000 Hours
 Light Source: LED
 Color Temperature (CCT): 3000K/4000K/5000K Adjustable
 Waterproof Rating: IP65
 Operating Temperature: -4°F-104°F
 Material: Aluminum



Standard Finish



Product description

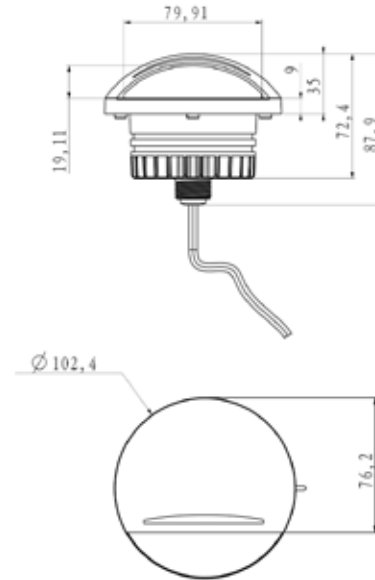
LEONLITE Pathway Lights blend classic brass lamp design with modern LED efficiency. Ideal for outdoor areas, they offer a vintage look with consistent, reliable illumination, perfect for lighting paths and gardens with a retro yet functional twist

Features & Benefits

- 3000K/4000K/5000K Selectable: Tailor lighting to fit every occasion, from warm to bright.
- Saucer Head Design: Adds a touch of vintage elegance to outdoor spaces.
- Low Voltage Safety: Ensures a safe environment for families and pets.
- IP65 Weather-Resistant: Reliable in all weather conditions, from intense heat to freezing cold.
- Easy Installation & Long Lifespan: Quick setup process with a durable design for lasting use.

Crescente In-Grade Well Light

SF3WLLO-BHDL6N30H-BLK



Specifications

Wattage: 6 watts

Voltage: 12-24V AC/DC

Luminous Flux: 320 lumens

Beam Angle: 110°

Color Rendering Index (CRI): 90

Lifespan: 50,000 Hours

Light Source: LED

Color Temperature (CCT): 3000K Warm White

Waterproof Rating: IP67

Operating Temperature: -4°F to 104°F

Material: Aluminum (housing)



Standard Finish



Product description

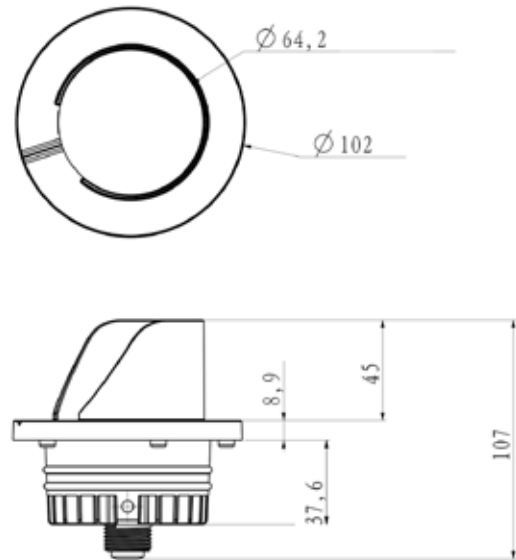
LEONLITE's inground lighting solutions deliver an impressive blend of consistency and compatibility. The integrated LED source means fewer replacements, more cohesiveness in lighting, and seamless dimming for various outdoor scenarios, making it a top choice for discerning prosumers and contractors.

Features & Benefits

- Experience unique, glare-free lighting perfect for gardens and paths with our side-lit well lights, designed for comfortable visibility.
- Enjoy long-lasting outdoor illumination with our IP67 waterproof, corrosion-resistant aluminum lights, capable of withstanding extreme weather.
- Easy installation with low voltage 12V-24V AC/DC operation and UL certified power cord, including two waterproof wire nuts for quick setup.
- Rely on superior quality with ETL certification, a robust 50,000-hour lifespan, and a three-year warranty, ensuring years of dependable lighting.

Shielded In-Grade Well Light

SF3WLLO-CDL6N30H



Specifications

Wattage: 6W
 Voltage: AC/DC 12-24V
 Luminous Flux: 580lm (424lm with shield)
 Beam Angle: 104
 Color Rendering Index (CRI): >90
 Lifespan: 50,000 Hours
 Light Source: LED
 Color Temperature: 3000K Warm White
 Waterproof Rating: IP67
 Operating Temperature Range: -4°F to 104°F
 Material: Die-casted Aluminum



Standard Finish



Product description

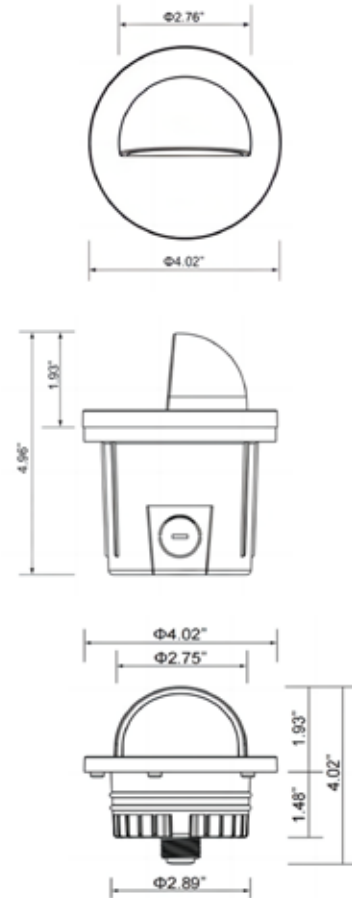
With an integrated LED system, these in-ground lights offer uniform lighting ideal for garden paths and highlighting features without the hassle of bulb replacements, ensuring a harmonious look throughout your landscape.

Features & Benefits

- Low Voltage, High Safety: 12-24V operation with UL-listed wiring, ensuring safety for children and pets.
- Weather-Resistant Build: IP67 waterproof, die-cast aluminum construction for durability in any weather.
- Optimized Lighting: Anti-glare design, CRI90 for true color rendering, and a comfortable 3000K warm white glow.
- Simple Installation: Comes with all necessary waterproofing parts and accessories for quick setup.
- Long-Lasting: A robust life expectancy of 50,000 hours reduces replacement frequency.

Primo Quarto In-Grade Well Light

SF3WLLO-HGDL6N30H-BLK



Specifications

Wattage: 6 watts

Voltage: 12-24V AC/DC

Luminous Flux: 300 lumens

Beam Angle: 120

Color Rendering Index (CRI): 90

Lifespan: 50,000 Hours

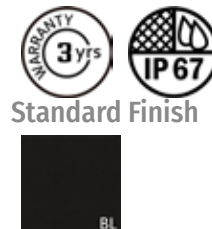
Light Source: LED

Color Temperature (CCT): 3000K Warm White

Waterproof Rating: IP67

Operating Temperature: -4°F to 104°F

Material: Die-casted Aluminum



Product description

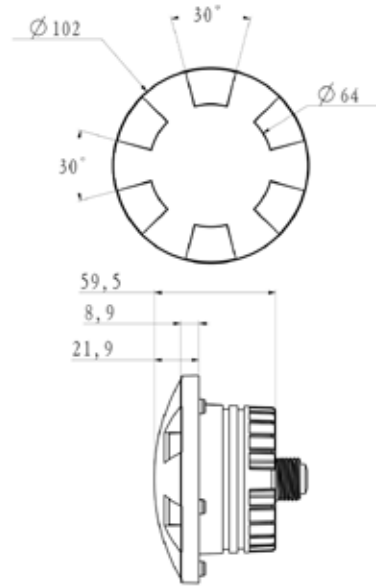
Designed for the discerning prosumer, LEONLITE's LED Well Lights deliver uniform, dimmable lighting ideal for outdoor areas. They are a smart choice for contractors looking for reliable, low-maintenance lighting solutions.

Features & Benefits

- Sidewalk-safe LEONLITE 6W LED Well Lights feature an anti-glare, side-illuminated design, with a CRI90 for true color lighting and a robust IP67 waterproof build for enduring outdoor use.
- Engineered for simplicity, these LED lights offer a one-piece, integrated chip with a 50,000-hour lifespan, and are crafted from durable, corrosion-resistant aluminum.
- Effortless to install with a low voltage requirement and UL-certified wiring, these lights ensure a secure, long-lasting presence in any outdoor landscape.

Fortezza In-Grade Well Light

SF3WLLO-HUBL6N30H-BLK



Specifications

Wattage: 6 watts

Voltage: 12-24V AC/DC

Luminous Flux: 200 lumens

Beam Angle: 360° with 15° per beam.

Color Rendering Index (CRI): 90

Lifespan: 50,000 Hours

Light Source: LED

Color Temperature (CCT): 3000 Kelvin

Waterproof Rating: IP67

Operating Temperature: -4°F to 104°F

Material: Aluminum



Standard Finish



Product description

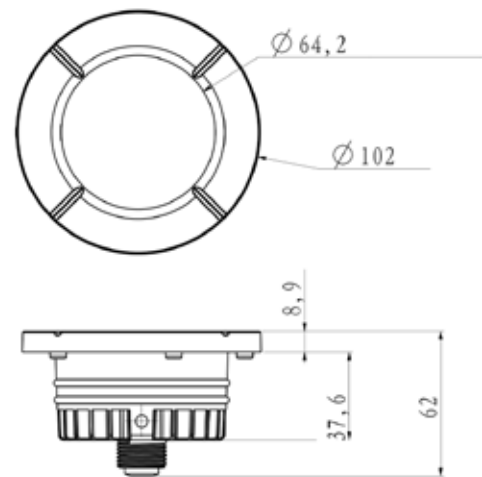
Safeguard your outdoor areas with these anti-glare well lights that illuminate without scattering light, designed to be robust enough to withstand being stepped on or even driven over, combining safety with contemporary style.

Features & Benefits

- LEONLITE's 6W LED Well Lights illuminate with a distinctive six-way, fan-shaped light, enhancing outdoor spaces with a radiant, anti-glare glow.
- Constructed with IP67 waterproof aluminum, they're robust and sleek, suited for diverse environments and high-traffic areas.
- The low-voltage design ensures safety and compatibility with various landscapes, while the 3000K warm light provides natural color rendering.
- These durable lights are easy to install with included accessories, offering longevity and a seamless integration into any outdoor setting.

Piano In-Grade Well Light

SF3WLLO-PDL6N30H



Specifications

Wattage: 6W

Voltage: AC/DC 12-24V

Luminous Flux: 580lm

Beam Angle: 126

Color Rendering Index (CRI): >90

Lifespan: 50,000 Hours

Light Source: LED

Correlated Color Temperature (CCT): 3000K Warm White

Waterproof Rating: IP67

Operating Temperature: -4°F to 104°F

Material: Die-casted Aluminum



Standard Finish



Product description

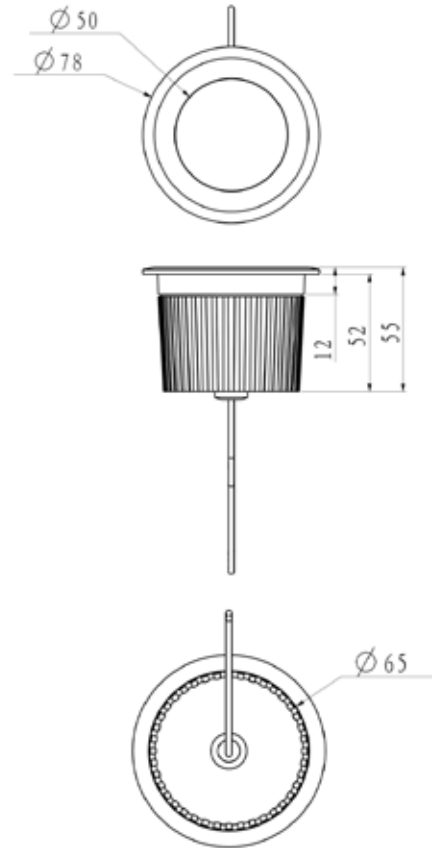
Designed with an integrated LED for reliable, uniform lighting, LEONLITE's Landscape Lights are a top choice for professionals seeking hassle-free installation and maintenance, ideal for enhancing outdoor aesthetics.

Features & Benefits

- Enhanced drainage and anti-glare design for a cleaner, safer outdoor lighting experience.
- Mower-safe, allowing seamless integration into landscaped areas without damage risk.
- IP67 waterproof and durable die-cast aluminum construction ensures longevity in harsh weather.
- Bright 580-lumen output with high CRI90 for natural, warm white light without glare.
- Simplified installation with embedded parts and UL-listed waterproof wiring for quick setup.

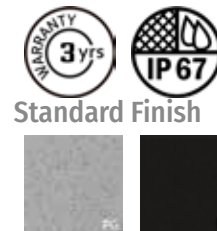
Essential In-Grade Well Light

SF3WLLO-RDL3N30H/SF3WLLO-RDL7N30H



Specifications

Wattage: 3W / 7W
 Voltage: 12-24V AC/DC
 Luminous Flux: 320lm / 720lm
 Beam Angle: 30° / 70°
 Color Rendering Index (CRI): >90
 Lifespan: 30,000 Hours
 Color Temperature (CCT): 3000K Warm White
 Operating Temperature: -4°F to 104°F
 Waterproof Rating: IP67
 Material: Aluminum



Product description

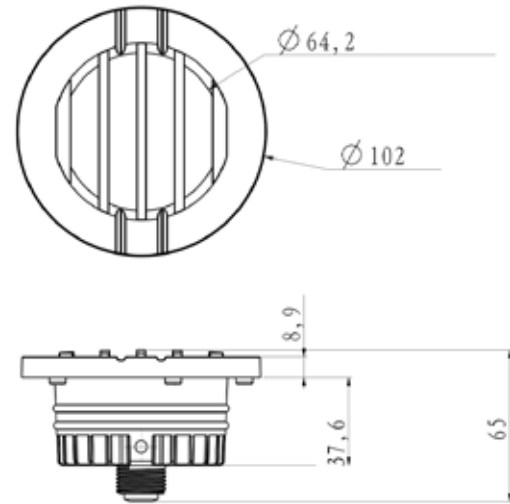
Select LEONLITE's 7W LED Well Light for robust lighting or the softer 3W option for delicate ambiance. Featuring integrated LEDs for uniform, energy-efficient light and dimming capability, both models complement any decor, from xeriscapes to marble, without dominating the space.

Features & Benefits

- Install with confidence using the safe, low-voltage operation and UL-certified wiring, ensuring a secure environment.
- Depend on the sturdy die-cast aluminum build with an IP67 waterproof rating for enduring performance in harsh weather.
- Select from 7W for vibrant illumination or 3W for soft lighting to perfectly match your landscape's mood.
- Benefit from a long-lasting 30,000-hour LED life, with a sleek design that's both rust-resistant and maintenance-free.

Grated In-Grade Well Light

SF3WLLO-SDL6N30H



Specifications

Wattage: 6 watts

Voltage: AC/DC 12-24 volts

Luminous Flux: 580 lumens (420 lumens with aluminum anti-glare cover)

Beam Angle: 70

Color Rendering Index (CRI): >90

Lifespan: 50,000 Hours

Light Source: LED

Correlated Color Temperature (CCT): 3000K (Warm White)

Waterproof Rating: IP67

Operating Temperature Range: -4°F to 104°F

Material: Die-casted Aluminum



Standard Finish



Product description

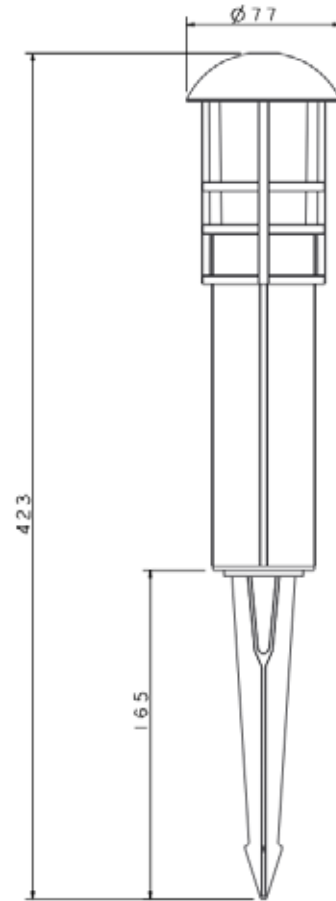
The subtle inground design of LEONLITE's Well Light complements your outdoor decor by providing a warm, consistent glow. The easy-to-install feature and mower-safe top make it a go-to for gardeners and contractors looking for a durable, low-maintenance lighting solution.

Features & Benefits

- Effortlessly blends into landscapes with its low-voltage, lawnmower-safe build, eliminating damage concerns.
- Crafted for endurance, it boasts an IP67 waterproof grade and robust die-cast aluminum construction, perfect for all weather.
- The grille design eliminates glare, offering 580 lumens of warm, natural light at a 3000K color temperature and 90 CRI.
- Quick and secure installation with pre-included components, UL-certified wiring, and waterproof sealing caps.
- Designed to last with a 50,000-hour lifespan, it provides long-term, consistent illumination.

Mini Bollard LED Path Light

SJ1LSL-3W50 / SJ1LSL-3W40 / SJ1LSL-3W30



Specifications

Wattage: 3W

Voltage: 12-24VAC/DC

Luminous Flux: 3000K - 94lm, 4000K - 106lm, 5000K - 103lm

Beam Angle: 350°

Color Rendering Index (CRI): 90+

Lifespan: 40000 Hours

Light Source: LED

Color Temperature (CCT): Available in 3000K, 4000K, or 5000K models

Waterproof Rating: Wet location

Operating Temperature: -20°C to 40°C (-4°F to 104°F)

Material: Material: Die-casting aluminum



Product description

LEONLITE LED fixtures are crafted for high-standard lighting needs, providing 3000K, 4000K, 5000K color temperature options. Their integrated LED source and corrosion-resistant aluminum housing ensure consistent light efficiency and durability. Ideal for landscape lighting or commercial paths, they offer superior lighting solutions.

Features & Benefits

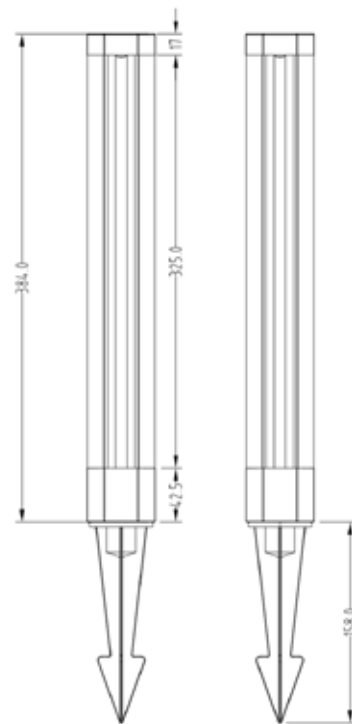
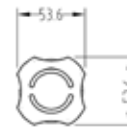
- Safe for children and pets, ETL listed with low voltage.
- Corrosion-resistant aluminum housing, ideal for outdoor use.
- High-quality lighting with natural color rendition, minimal glare.
- Convenient installation with long power cable and connectors.
- Durable design, long lifespan with a 3-year warranty.

Piano Quadrato LED Path Light

SJ1LSLLO-ADL12N30H-BLK



Size in mm
1" = 25.4mm.



Specifications

Wattage: 4W

Voltage: AC/DC 12V

Luminous Flux: 55lm

Beam Angle: 360°

Color Rendering Index (CRI): 90

Lifespan: 40,000 Hours

Light Source: LED

Color Temperature (CCT): 3000K warm white

Waterproof Rating: IP65

Operating Temperature: -4°F to 104°F

Material: Die-casted aluminum



Standard Finish



Product description

Set the stage in your landscape with LEONLITE's LED Pathway Lights; the integrated light source cuts maintenance, while the top ring accent light adds a subtle glow, perfect for safe evening strolls in your garden.

Features & Benefits

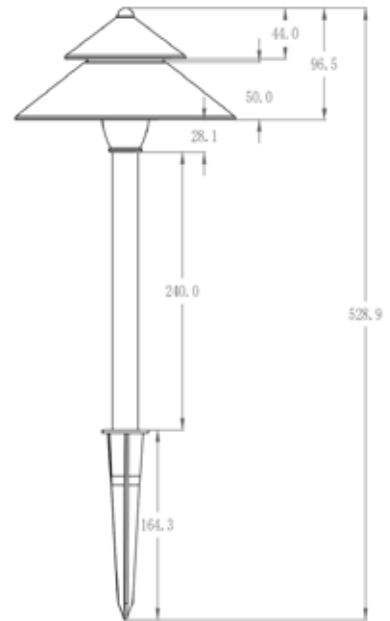
- Upper glow ring for safer, collision-free paths.
- Non-glare illumination enhances night-time visibility and ambiance.
- ETL listed, ensuring top product safety and performance standards.
- IP65 rated with a durable build for long-term outdoor use.
- 12V AC/DC for a safer garden, reducing risk around kids and pets.

Antico LED Path Light

SJ1-LSLLO-DUMBDL3N30H-BRN



Size in mm
1" = 25.4mm.



Specifications

Wattage: 3W

Voltage: 12-24V AC/DC

Luminous Flux: 127lm

Beam Angle: 360°

Color Rendering Index (CRI): >90

Lifespan: 40,000 Hours

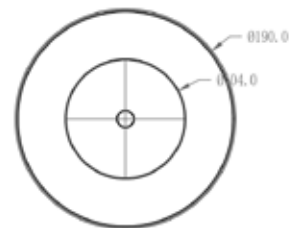
Light Source: LED

Color Temperature (CCT): 3000K Warm White

Waterproof Rating: IP65

Operating Temperature: -4°F to 104°F

Material: Die-casted aluminum



Standard Finish



Product description

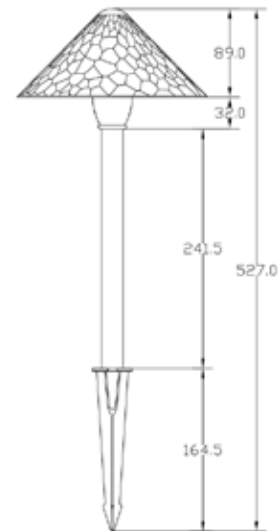
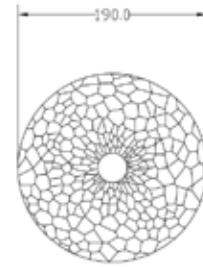
LEONLITE's LED Pathway Lights combine the reliability of integrated LEDs with a retro dual-layer umbrella design, ensuring a warm, even glow and distinctive decorative appeal for your outdoor areas.

Features & Benefits

- Natural, vivid lighting with CRI90 enhances outdoor aesthetics.
- Child and pet-safe with low 12V-24V AC/DC voltage and UL-certified wiring.
- Unique double-layer design for soft, 360° non-glare lighting.
- Long-lasting with 40,000-hour lifespan and 3-year warranty for peace of mind.

Fulmine Gold LED Path Light

SJ1-LSLLO-UMBDL3N30H-ABB



Specifications

Wattage: 3 watts

Voltage: 12V AC/DC

Luminous Flux: 147 lumen

Beam Angle: 65°

Color Rendering Index (CRI): 90

Lifespan: 40,000 Hours

Light Source: LED

Color Temperature (CCT): 3000K

Waterproof Rating: IP65

Operating Temperature: -4°F to 104°F

Material: Die-casted aluminum



Standard Finish



Product description

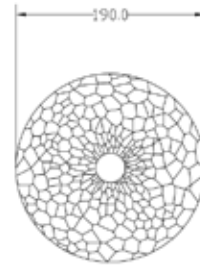
Discover the perfect blend of form and function with our LEONLITE LED Path Lights, featuring integrated LEDs for uniform lighting and a unique vintage design that adds a distinguished touch to your garden paths.

Features & Benefits

- Retro flair, LED clarity.
- Natural glow, high CRI90; elevate your landscape's look.
- IP65, ETL-certified; robust for rain or shine.
- Easy install, safe design; child- and pet-friendly lighting.
- Long life, solid warranty; LEONLITE's promise for your peace of mind.

Nero Gold LED Path Light

SJ1-LSLLO-UMBDL3N30H-BLK



Specifications

Wattage: 3 watts
 Voltage: 12V AC/DC
 Luminous Flux: 147 lumen
 Beam Angle: 65°
 Color Rendering Index (CRI): 90
 Lifespan: 40,000 Hours
 Light Source: LED
 Color Temperature (CCT): 3000K
 Waterproof Rating: IP65
 Operating Temperature: -4°F to 104°F
 Material: Die-casted aluminum



Standard Finish



Product description

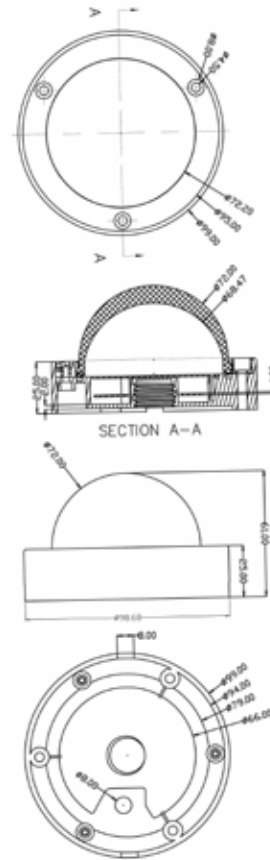
Discover the perfect blend of form and function with our LEONLITE LED Path Lights, featuring integrated LEDs for uniform lighting and a unique vintage design that adds a distinguished touch to your garden paths.

Features & Benefits

- Retro flair, LED clarity.
- Natural glow, high CRI90; elevate your landscape's look.
- IP65, ETL-certified; robust for rain or shine.
- Easy install, safe design; child- and pet-friendly lighting.
- Long life, solid warranty; LEONLITE's promise for your peace of mind.

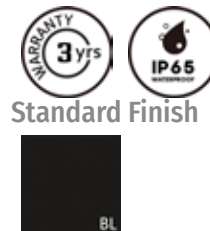
Emisferi Sky-up LED Path Light

SJ15LSLLO-RDL4N27 / SJ15LSLLO-RDL4N40



Specifications

Wattage: 4.5W
 Voltage: 12V-24V AC/DC
 Luminous Flux: 360lm
 Beam Angle: 180°
 Color Rendering Index (CRI): 80
 Lifespan: 50000 Hours
 Light Source: LED
 Color Temperature (CCT): 2700K
 Waterproof Rating: IP65
 Operating Temperature: -13°F to -76°F (-25°C to -60°C)
 Material: Aluminum



Product description

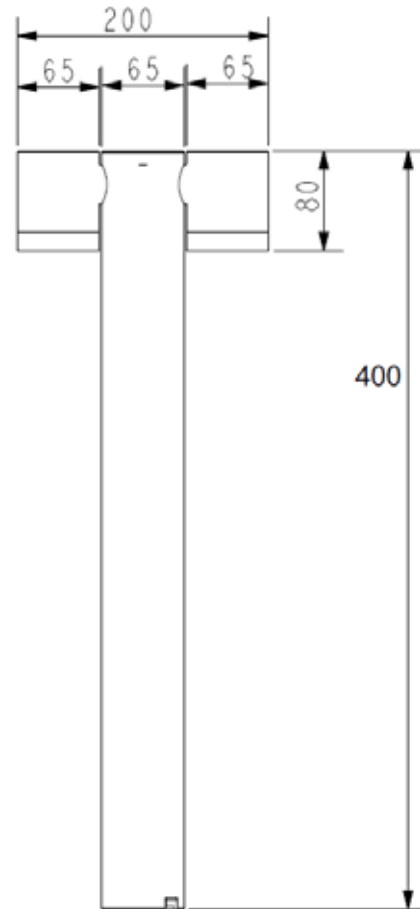
Adding landscape path lights to your outdoor space is a great way to create a safe and inviting environment for your family and guests. LEONLITE's landscape path lights are made of durable die-casted aluminum, which provides excellent heat dissipation and corrosion resistance. With a lifespan of approximately 50,000 hours.

Features & Benefits

- Retro flair, LED clarity.
- Natural glow, high CRI90; elevate your landscape's look.
- IP65, ETL-certified; robust for rain or shine.
- Easy install, safe design; child- and pet-friendly lighting.
- Long life, solid warranty; LEONLITE's promise for your peace of mind.

XGEN Dual-spot LED Path Light

SJ15LSLO-DRDL10DRGBCW



Specifications

- Wattage: 10W
- Voltage: AC/DC 12V-24V
- Luminous Flux: 800LM
- Beam Angle: 120°
- Color Rendering Index (CRI): 80
- Lifespan: 50000 Hours
- Light Source: LED
- Color Temperature (CCT): RGBCW (2700K-5000K)
- Waterproof Rating: IP65
- Operating Temperature: -13°F to 131°F (-25°C to 55°C)
- Material: Die-casted aluminum



Product description

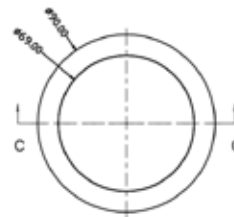
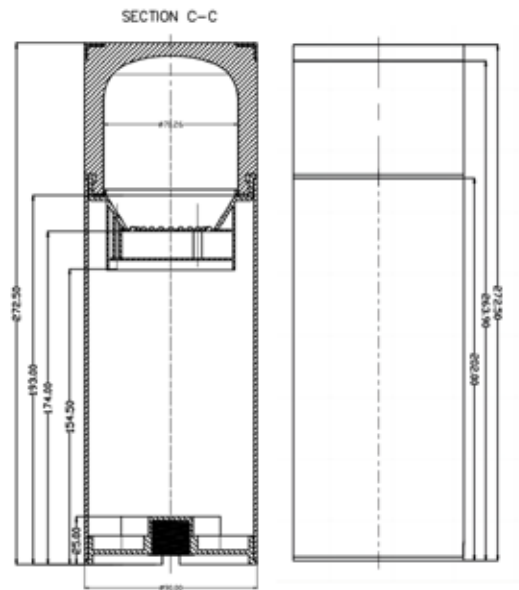
Upgrade your landscape lighting with LEONLITE Smart Pathway Lights. Adjustable dual-heads offer tailored lighting solutions, from path leading to artistic wall washing. Control brightness and color through a convenient app, setting the perfect mood from a palette of RGB colors for every occasion.

Features & Benefits

- 2700K-5000K & RGB Color Changing: Craft a unique yard ambiance from warm white to vibrant colors, perfect for every season.
- 1%-100% Dimmable via APP: Easily control brightness from your smartphone. The app supports Android and iOS 10.0+, offering convenient customization of light color, mode, and timer, ensuring your outdoor space is always lit to your preference.
- Adjustable Dual-Head Design: Flexibly rotate each head up to 350 degrees, allowing for dynamic and targeted illumination.
- Decorative and Functional Lighting: Not only do these lights illuminate your surroundings, they also add a decorative touch.
- IP65 waterproof rating; assured reliability in wet conditions; perfect for a variety of outdoor settings.

O-ring Colorato LED Path Light

SJ15LSL-4WRGBCW30C-BLK



Specifications

Wattage: 4.5 watts

Voltage: 12V-24V AC/DC

Luminous Flux: 360 lumens (Warm white and white)

Beam Angle: 180 degrees

Color Rendering Index (CRI): N/A

Lifespan: 50,000 Hours

Light Source: LED

Color Temperature (CCT): 7 Color Changing (3000K warm white, white, red, green, purple, yellow, blue)

Waterproof Rating: IP65

Operating Temperature: -13°F to 140°F

Material: Die-casting aluminum



Standard Finish



Product description

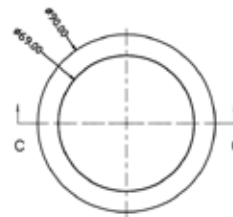
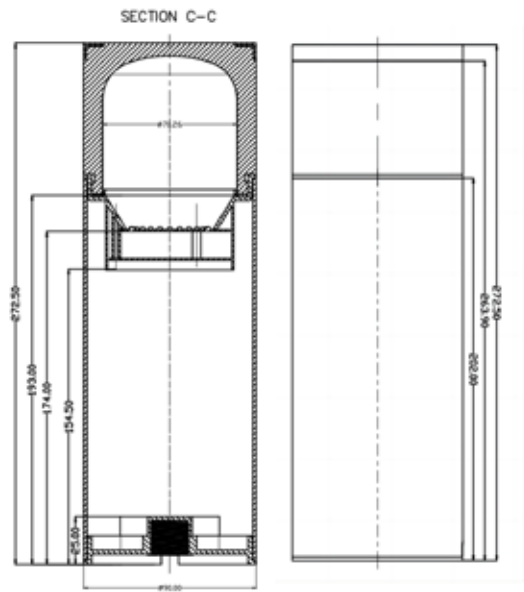
Choose LEONLITE for a colorful, reliable outdoor lighting solution. Their Pathway Lights feature 7 colors, an integrated LED for reduced maintenance, and a solid aluminum build. Suited for expansive spaces, these lights offer a safe, long-lasting addition to your outdoor design.

Features & Benefits

- RGB 7 color changing options with 9 modes for customizable ambiance in outdoor settings.
- Soft lighting with anti-glare ensures comfortable visibility along pathways and gardens.
- Sturdy and weather-resistant design, ideal for lasting outdoor installation.
- Low voltage operation for enhanced safety around children and pets.
- Dependable and durable with extensive service life, backed by a solid warranty.

O-ring Unico LED Path Light

SJ15LSL-5WCYBLK30 / SJ15LSL-5WCYBLK40



Specifications

- Wattage: 5W
- Voltage: 12V-24V AC/DC
- Luminous Flux: 400 Lumen
- Beam Angle: 180 degrees
- Color Rendering Index (CRI): Ra≥80
- Lifespan: 50,000 Hours
- Light Source: LED
- Color Temperature (CCT): Available in 3000K and 4000K models
- Waterproof Rating: IP65
- Operating Temperature: -13°F to 140°F
- Material: Die-casting aluminum



Standard Finish



Product description

The LEONLITE LED Landscape Bollard Light seamlessly combines functionality and aesthetics. Its integrated LED source ensures consistent, low-maintenance lighting, and the robust glass cover elegantly scatters light to reduce glare, making it ideal for broader areas.

Features & Benefits

- Softly diffuses light, glare-free, enhances ambience.
- 11.18-inch height for extensive, unblocked illumination
- Low-maintenance LED, energy-efficient with high brightness.
- Sturdy and waterproof, suitable for various outdoor settings.
- Installation-friendly, complete with necessary accessories.
- Reliable with a long lifespan, supported by a 3-year warranty.

Piramide del Tempio LED Path Light

SJ15LSLLO-CBL5N30-BLK



Specifications

Wattage: 5 watts (Main: 3W, Ambient: 1.5W)

Voltage: AC/DC12-24V

Luminous Flux: 225 Lumens

Beam Angle: Main 120°, Ambient 360°

Color Rendering Index (CRI): 80.00

Lifespan: 50,000 Hours

Light Source: LED

Color Temperature (CCT): Main 3000K, Ambient 3000K

Waterproof Rating: IP65

Operating Temperature: -25°C to 45°C (-13°F to 113°F)

Material: Material: Die-casting aluminum



Standard Finish



Product description

Designed for longevity and ease, LEONLITE's LED Pathway Lights deliver uniform brightness with their integrated LEDs, cutting down on maintenance. The unique side lighting ensures that pathways are well-lit for pedestrians while the lights themselves remain visible to drivers, perfect for residential or commercial landscapes.

Features & Benefits

- Side lighting feature for clear lamp visibility, reducing collision risks at night.
- Artistic four-leaf clover light effect, adding charm to pathways.
- Low voltage design, safe around children and pets.
- Weather-resistant and durable, ideal for outdoor use.
- Long-lasting performance with a 3-year warranty, ensuring reliability.

Piramide del Tempio LED Path Light - Chromatic

SJ15LSLLO-CBL5N30RGBCW-BLK



Specifications

Wattage: 5 watts (Main: 3W, Ambient: 1.5W)

Voltage: AC/DC12-24V

Luminous Flux: 225 Lumens

Beam Angle: Main 120°, Ambient 360°

Color Rendering Index (CRI): 80.00

Lifespan: 50,000 Hours

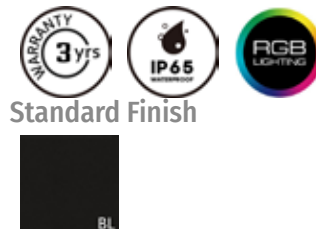
Light Source: LED

Color Temperature (CCT): Main 3000K, Ambient RGBCW (multicolor)

Waterproof Rating: IP65

Operating Temperature: -25°C to 45°C (-13°F to 113°F)

Material: Material: Die-casting aluminum



Product description

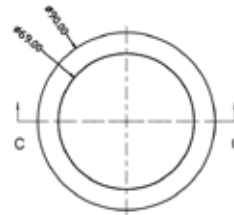
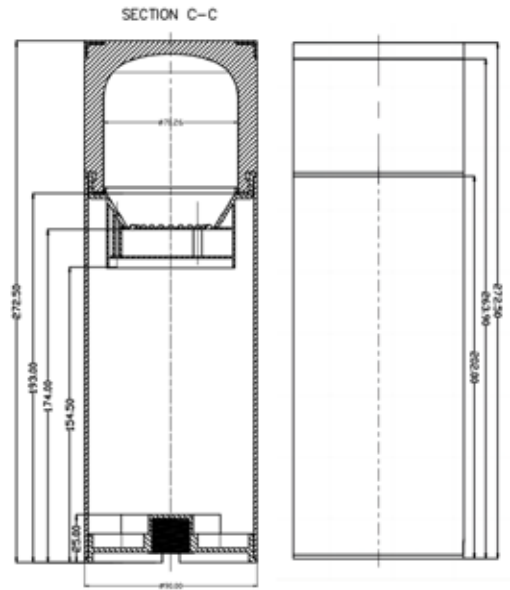
LEONLITE's LED Pathway Lights feature integrated LEDs for easy maintenance, with unique side lighting that makes the lamp visible at night, reducing collision risks. The surrounding RGB ambient light ring, with selectable colors and modes, adds visual flair and safety to outdoor settings.

Features & Benefits

- RGB ambient ring offering 7 colors and 2 modes, easily switchable for enhanced visual appeal.
- Side lighting feature for clear lamp visibility, reducing collision risks at night.
- Artistic four-leaf clover light effect, adding charm to pathways.
- Low voltage design, safe around children and pets.
- Weather-resistant and durable, ideal for outdoor use.
- Long-lasting performance with a 3-year warranty, ensuring reliability.

O-ring Unico LED Path Light - Adjustable CCT

SJ15LSLLO-CDL4D5CCT-BLK



Specifications

Wattage: 4.5 watts

Voltage: AC/DC 12-24V

Luminous Flux: 2700K/3000K/3500K: 380lm; 4000K/5000K: 400lm

Beam Angle: 180 degrees

Color Rendering Index (CRI): Ra≥80

Lifespan: 50,000 Hours

Light Source: LED

Color Temperature (CCT): 2700K/3000K/3500K/4000K/5000K Adjustable

Waterproof Rating: IP65

Operating Temperature: -13°F to 140°F

Material: Die-casting aluminum

Product description

LEONLITE's LED Pathway Light stands out with its 5CCT adjustability, ensuring a uniform light source at low maintenance costs. Its strong design with a gentle, scattering glass cover is perfect for enhancing large open spaces, offering both illumination and a decorative touch.

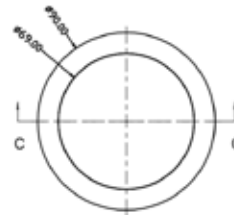
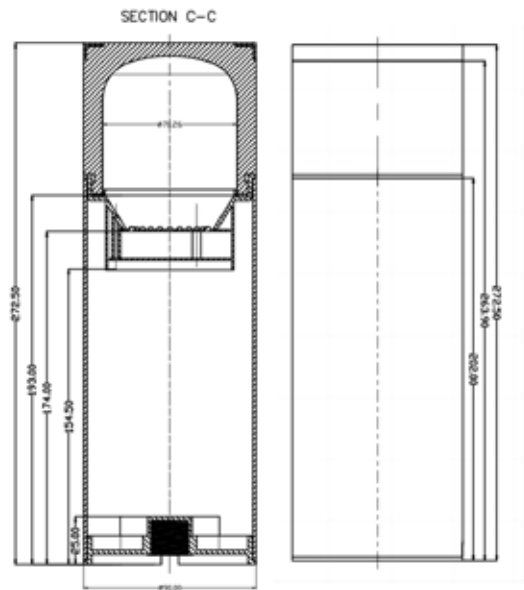


Features & Benefits

- Adjustable color settings for personalized ambiance, perfect for various outdoor moods.
- Soft lighting with anti-glare ensures comfortable visibility along pathways and gardens.
- Sturdy and weather-resistant design, ideal for lasting outdoor installation.
- Low voltage operation for enhanced safety around children and pets.
- Dependable and durable with extensive service life, backed by a solid warranty.

O-ring Colorato LED Path Light - Smart Control

SJ15LSLLO-CDL4DRGBCW-BLK-APP



Specifications

Wattage: 4.5W

Voltage: AC/DC 12-24V

Luminous Flux: 360lm

Beam Angle: 180 degrees

Color Rendering Index (CRI): N/A

Lifespan: 50,000 Hours

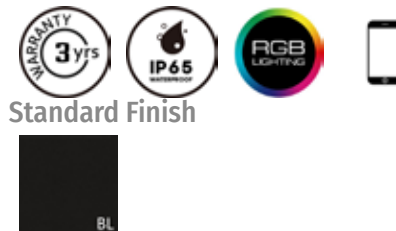
Light Source: LED

Color Temperature (CCT): 2700K, 5000K, and RGB

Waterproof Rating: IP65

Operating Temperature: -13°F to 140°F

Material: Die-casting aluminum



Product description

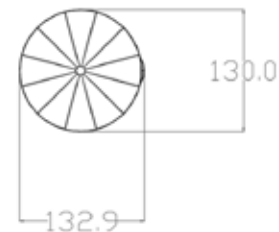
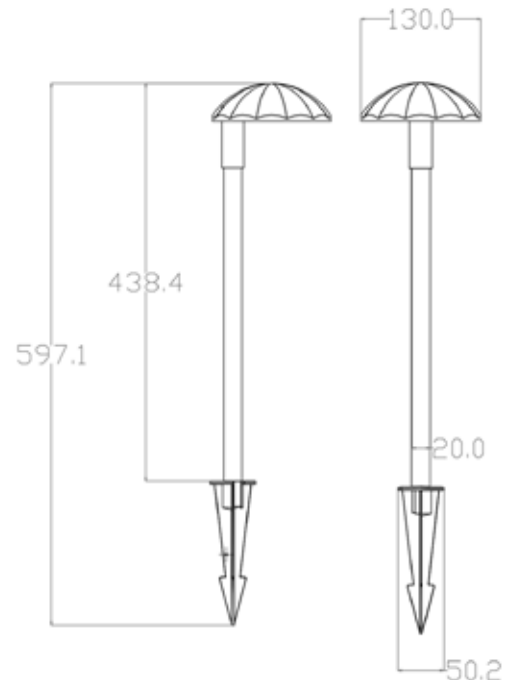
Illuminate your outdoor space with LEONLITE Smart Low Voltage Pathway Lights, offering seamless Bluetooth control for an effortless lighting experience. Sync lights to music for parties and set schedules with ease, all while enjoying the cost-saving benefits of durable, integrated LEDs.

Features & Benefits

- Effortless Bluetooth app control and stable connectivity.
- Syncs with music, offering 16 million color possibilities.
- Customizable timers and memory function for consistent ambiance.
- Soft lighting with anti-glare ensures comfortable visibility along pathways and gardens.
- Sturdy and weather-resistant design, ideal for lasting outdoor installation.
- Low voltage operation for enhanced safety around children and pets.
- Dependable and durable with extensive service life, backed by a solid warranty.

Petali Rovesciato LED Path Light

SY13LSLLO-FRDL5N30-ORB



Specifications

Wattage: 5 watts

Voltage: 12-15 Volts AC/DC

Luminous Flux: 400 Lumen

Beam Angle: 150°

Color Rendering Index (CRI): 80.00

Lifespan: 50000 Hours

Light Source: LED

Color Temperature (CCT): 3000K Warm White

Waterproof Rating: IP65

Operating Temperature: -13°F to 104°F

Material: Die cast aluminum



Standard Finish



Product description

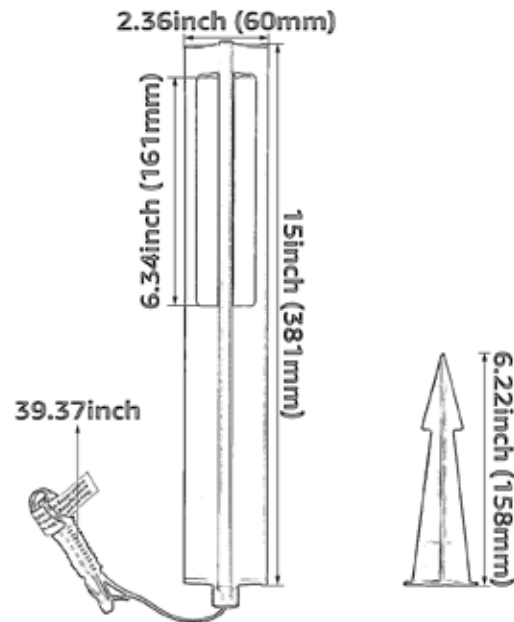
LEONLITE's LED Pathway Lights are designed for the discerning prosumer and the experienced contractor, offering focused, shell-shade lighting that highlights paths without spilling into the surroundings. Efficient and reliable, these lights provide a consistent glow, ensuring functionality meets style in every garden or walkway project.

Features & Benefits

- Directional shell shade for focused path lighting.
- 400LM, 5W LED efficiency for clear, bright paths.
- Robust die-cast aluminum, IP65, endures elements.
- Safe 12-15V operation for family and pet safety.
- Long 50,000-hour life with a solid 2-year warranty.

Stella Bitta LED Path Light

SY13LSLLO-RDL3N30-BLK / SY13LSLLO-RDL3N40-BLK



Specifications

Wattage: 3W
 Voltage: 12V-15V AC/DC
 Luminous Flux: 3000K - 172lm, 4000K - 190lm
 Beam Angle: 160°
 Color Rendering Index (CRI): Ra≥80
 Lifespan: 50,000 Hours
 Light Source: LED
 Color Temperature (CCT): Available in 3000K and 4000K models
 Waterproof Rating: IP65
 Operating Temperature: -30°C to 40°C (-22°F to 104°F)
 Material: Die-cast aluminum



Standard Finish



Product description

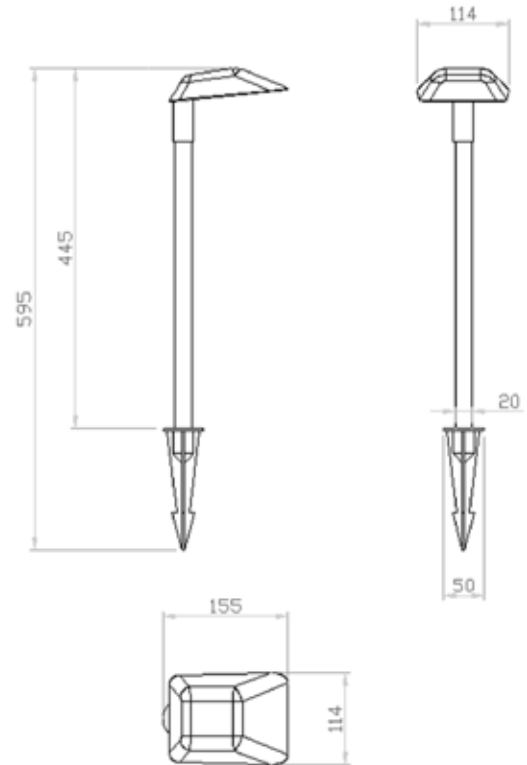
LEONLITE's LED Pathway Lights redefine outdoor lighting. Their unique, all-around glow is ideal for accentuating pathways in open, less vegetated areas, offering a stunning, glare-free lighting experience.

Features & Benefits

- Unique Temple-like design anti-glare illumination.
- Optimal for Xeriscapes and areas with minimal vegetation like rock gardens and pebble paths.
- Safe 12-15V AC/DC operation, perfect for outdoor settings.
- Durable aluminum build, IP65 rated for weather resistance.
- Long 50,000-hour lifespan, backed by a 2-year warranty.

Escavatori LED Path Light

SY13LSLLO-SDL5N30-BRZ / SY13LSLLO-SDL5N50-BRZ



Specifications

Wattage: 5W

Voltage: 12V-15V AC/DC

Luminous Flux: 400lm

Beam Angle: 150°

Color Rendering Index (CRI): Ra≥80

Lifespan: 50,000 Hours

Light Source: LED

Color Temperature (CCT): Available in 3000K and 5000K models

Waterproof Rating: IP65

Operating Temperature: -13°F-104°F

Material: Die-casting aluminum



Product description

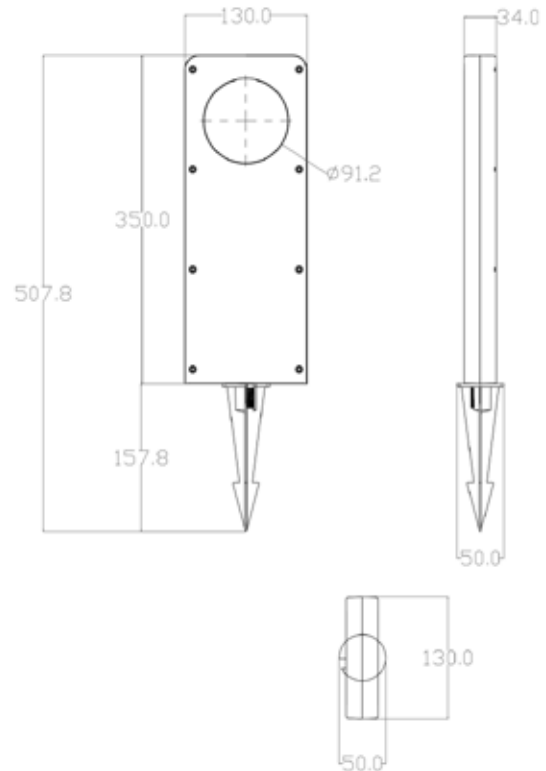
Our LEONLITE LED Pathway Lights deliver consistent, energy-efficient lighting with a unique design that directs brightness precisely where you need it, ensuring a clear path without disturbing the surroundings.

Features & Benefits

- Single-side light emission for clear path delineation.
- 12-15V AC/DC low voltage for safe outdoor use.
- 400-lumen brightness enhances pathways and driveways.
- IP65 waterproof, rust-resistant aluminum for longevity.
- Simple installation process, up to 50,000 hours lifespan.

Quadra Rotondo LED Path Light

SY13LSLO-UDL3N30-BLK



Specifications

Wattage: 3W

Voltage: AC/DC 12-15V

Luminous Flux: 103lm

Beam Angle: 160°

Color Rendering Index (CRI): Ra≥80

Lifespan: 50,000 Hours

Light Source: LED

Color Temperature (CCT): 3000K Warm White

Waterproof Rating: IP65

Operating Temperature: -22°F-104°F

Material: Die-casted aluminum & PC



Standard Finish



Product description

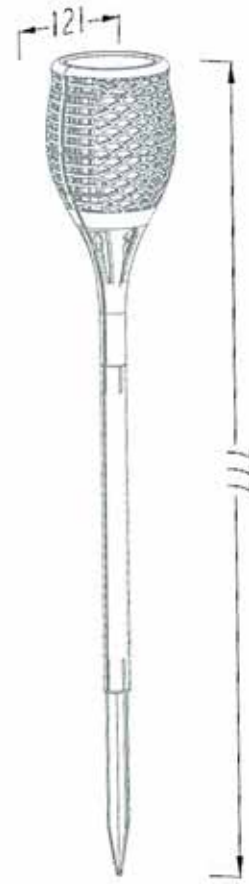
LEONLITE's LED Pathway Lights feature a modern, dual-side glowing design, creating a captivating circular glow that enhances visual comfort and landscape aesthetics while providing consistent, efficient lighting. Perfect for paths, gardens, and artistic outdoor spaces.

Features & Benefits

- Artistically designed to serve as a focal point, enhancing aesthetic appeal day and night.
- Unique dual-side lighting for ambiance and safety.
- Bright, anti-glare illumination for clear visibility.
- Simple installation with included 3.2ft wire.
- Long-lasting with 50,000 hours of light and IP65 waterproof.
- Assured with a 2-year warranty.

Luce Fiamma LED Path Light

ZA1LSL-3WBLK27



Specifications

Wattage: 3W

Voltage: 5.5V (Solar Panel), 3.7V (Battery)

Luminous Flux: N/A

Beam Angle: 360°

Color Rendering Index (CRI): N/A

Lifespan: 2 years

Light Source: LED

Color Temperature (CCT): 2800K

Waterproof Rating: IP65

Operating Temperature: -4°F to 104°F (-20°C to 40°C)

Material: ABS



Product description

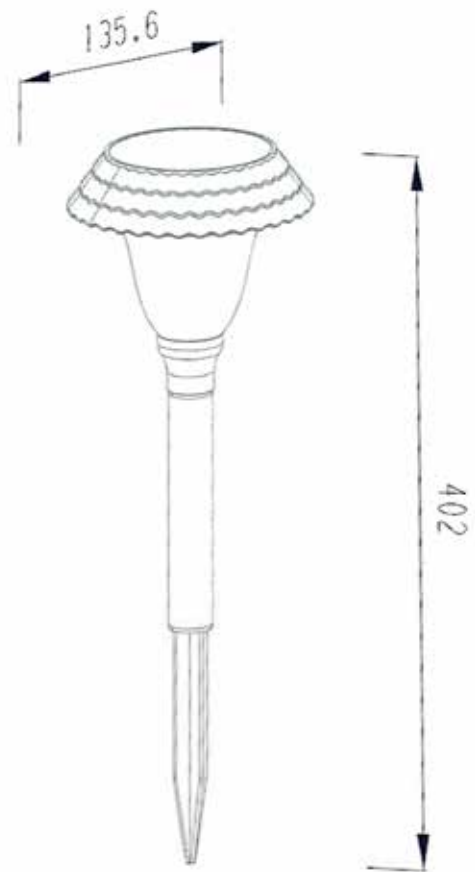
Experience the simplicity of solar with our Dusk to Dawn light. Its torch-like design mimics dancing flames, perfect for adding a warm, inviting glow to outdoor spaces without the hassle of wiring.

Features & Benefits

- Automatic Solar Power: Solar-powered with a dusk-to-dawn photocell sensor, ensuring automated lighting without wiring.
- Unique Flame Design: Torch-like shape provides a dancing flame effect, enhancing outdoor aesthetics with solar efficiency.
- Weather-Resistant Durability: Features IP65 waterproof rating and robust ABS housing, ideal for various weather conditions.
- High-Efficiency Solar Panel: Equipped with a 2200mAh battery for long-lasting lighting, safeguarded against overcharging and discharging.

Luce Multi-color LED Path Light

ZA1LSLLO-RDS3N-WHT



Specifications

Wattage: 0.2W

Voltage: 3.7V

Luminous Flux: 6lm

Beam Angle: 360°

Color Rendering Index (CRI): N/A

Lifespan: 2 years

Light Source: LED

Color Temperature (CCT): Multi-Color (Cool/Warm White, Red, Green, Blue, Purple)

Waterproof Rating: IP65

Operating Temperature: -4°F to 104°F

Material: ABS & PS



Standard Finish

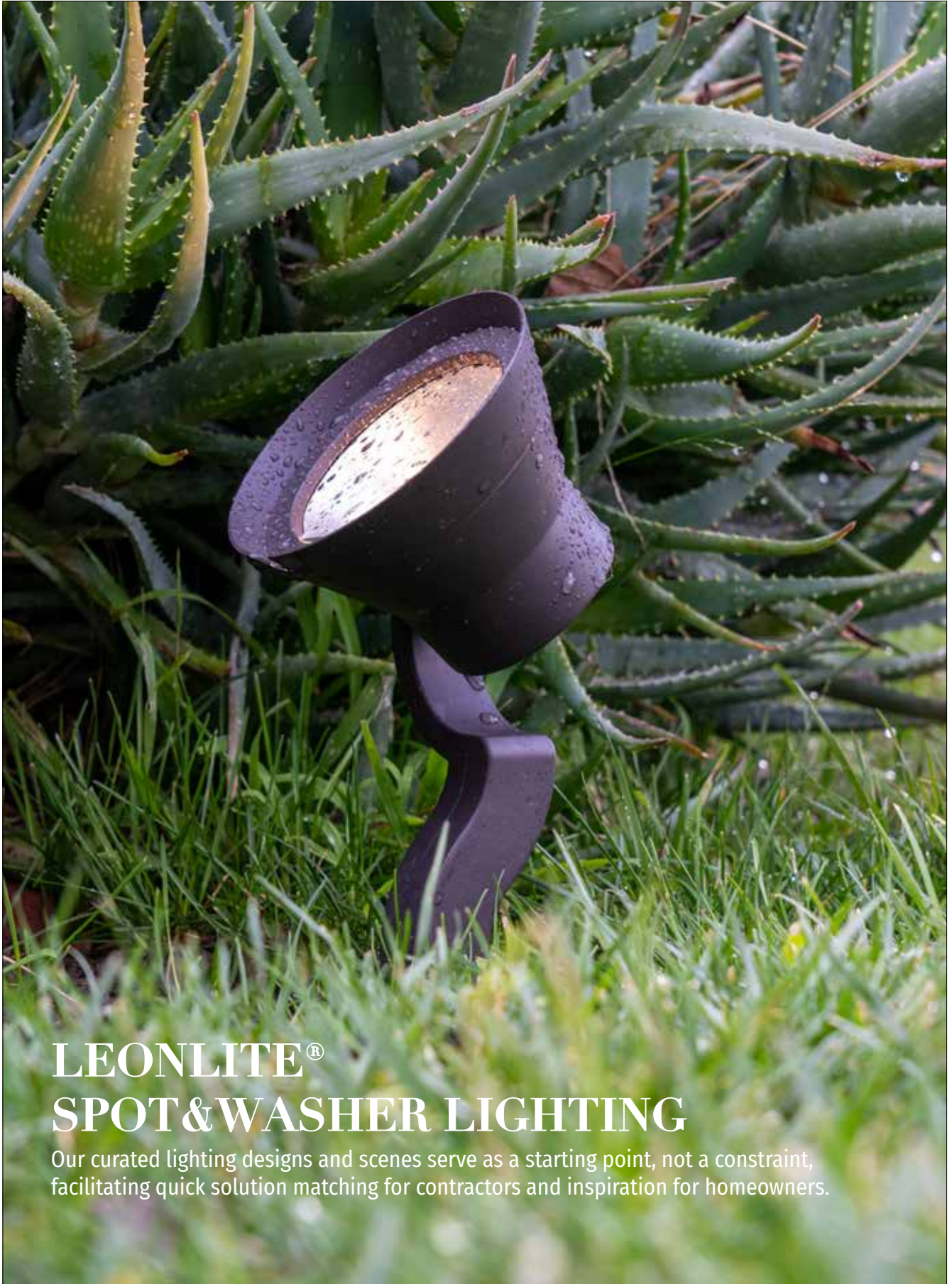


Product description

These solar-powered pathway lights automatically illuminate your outdoor spaces from dusk till dawn. With easy installation and no wiring required, they provide a sustainable, decorative solution for gardens, front porches, and backyards.

Features & Benefits

- Solar-Powered, Auto On/Off: Charges by day, automatic 10-hour night lighting.
- Color-Changing LEDs: Six color options with memory and fade function for varied lighting.
- Durable Design: Polycrystalline solar panel, ABS housing, suitable for outdoor use.
- Weatherproof: IP65, functional from -4°F to 104°F.
- Easy Setup: Tool-free installation, overcharge and discharge protection for longevity.



LEONLITE®
SPOT&WASHER LIGHTING

Our curated lighting designs and scenes serve as a starting point, not a constraint, facilitating quick solution matching for contractors and inspiration for homeowners.

Commercial-Grade High-Brightness Lighting Solutions

Supports 277V commercial-grade high voltage for spotlighting flagpoles, tall trees, and illuminating large sections of buildings.



Commercial Ultra Bright Spot Light
Beam angle: 35°



Potente Smart LED Flood Light
Beam angle: 120°



Illumination Solutions for Shrubs and Flower Beds

These lights effectively enhance the visibility and beauty of small-scale landscapes such as shrubbery and floral arrangements.



XGEN™ Acuto Ordinario Spot
Light
Beam angle: 15°

Punto Spot Light
Beam angle: 48°



Wall & Medium-Sized Landscape Illumination Solutions

Ideal for wall-washing, grazing, and silhouette lighting techniques, as well as illuminating medium to slightly larger landscapes.



Round Grandangolo Flood Light Beam angle: 65°
Square Grandangolo Flood Light Beam angle: 75°



Fountain and Pond Underwater Lighting

Fully waterproof and designed for cool water use, these lights must be securely screwed into the pool or pond bed. Not suitable for swimming pools.

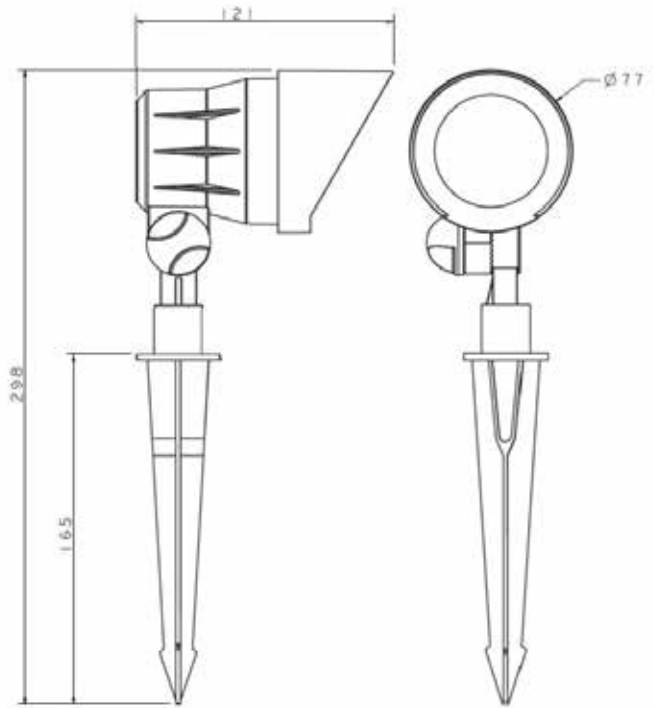


Sottomarini Underwater Light
Beam angle: 15°



Punto Spot Light

SJ1FL-4W30 / SJ1FL-4W40 / SJ1FL-4W50



Specifications

Wattage: 4W

Voltage: 12V AC/DC

Luminous Flux: 3000K - 164lm, 4000K - 179lm, 5000K - 181lm.

Beam Angle: 48°

Color Rendering Index (CRI): 90

Lifespan: 40,000 Hours

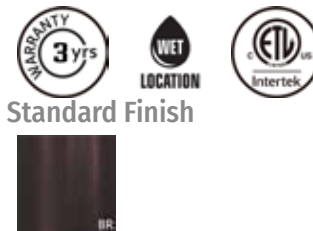
Light Source: LED

Color Temperature (CCT): Available in 3000K, 4000K, and 5000K models.

Waterproof Rating: Wet Location

Operating Temperature: -20°C-40°C / -4°F-104°F

Material: Aluminum and Plastic



Standard Finish

Product description

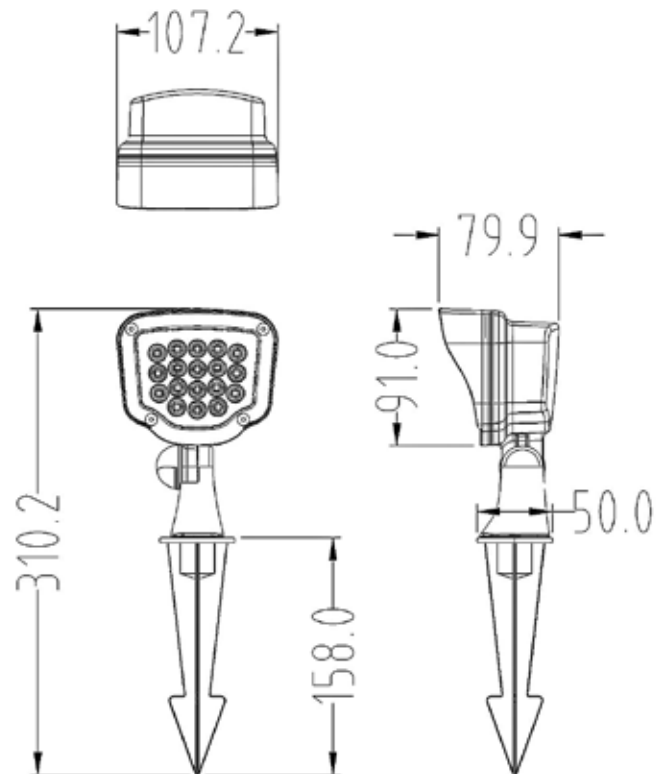
LEONLITE's LED Landscape Spotlight offers a 48° beam angle, ideal for wall washing, highlighting, and silhouette lighting. Its minimalist design ensures ease of use, while the high CRI90+ rating delivers true color accuracy. The anti-glare shield adds to its comfort in illumination.

Features & Benefits

- 48° Versatile Beam: Ideal for wall washing, highlighting, texture grazing.
- Minimalist Design: Easy to install and clean, enhances outdoor decor.
- Safety First: 12V low voltage, ETL listed, child and pet friendly.
- Durable Construction: Weather-resistant aluminum, perfect for wet locations.
- Bright & Natural Light: Glare-free illumination, high CRI90+ for true color rendering.

Square Grandangolo Flood Light

SJ1LSLLO-SDL12N30H



Specifications

Wattage: 12W

Voltage: 12V AC/DC

Luminous Flux: 1000lm

Beam Angle: 75°

Color Rendering Index (CRI): >90

Lifespan: 40,000 Hours

Light Source: LED

Color Temperature (CCT): 3000K warm white

Waterproof Rating: IP65

Operating Temperature: -4°F-104°F

Material: Die-casted aluminum



Standard Finish



Product description

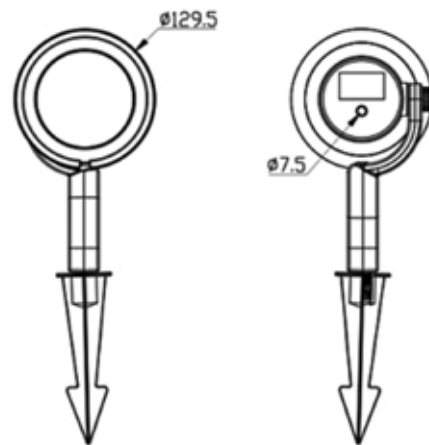
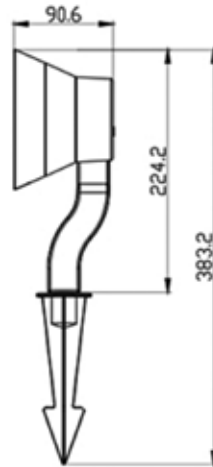
LEONLITE LED Landscape Flood Lights feature an integrated LED source for consistent illumination and low maintenance. The commercial style offers higher brightness with uniform light distribution, ideal for large area lighting at low to medium heights. With a 180° rotatable head and 75° beam angle, it covers a wide area effectively.

Features & Benefits

- Commercial-style brightness; uniform light distribution.
- Low-height focus; ideal for expansive foreground lighting.
- 180° adjustable light head; versatile illumination.
- 75° beam angle; Nano reflective cup; wide, consistent coverage.
- CRI 90; true color rendering; IP65 waterproof; durable design.

Round Grandangolo Flood Light - RGB

SJ1LSLLO-RDL12NRGBW-BRN



Specifications

- Wattage: 12W
- Voltage: 12-24V AC/DC
- Luminous Flux: 600lm
- Beam Angle: 65°
- Color Rendering Index (CRI): 80
- Lifespan: 36,000 Hours
- Light Source: LED
- Color Temperature (CCT): warm white, white, red, green, blue, yellow, purple(adjustable)
- Waterproof Rating: IP65
- Operating Temperature: -4°F to 104°F
- Material: Die-cast Aluminum



Product description

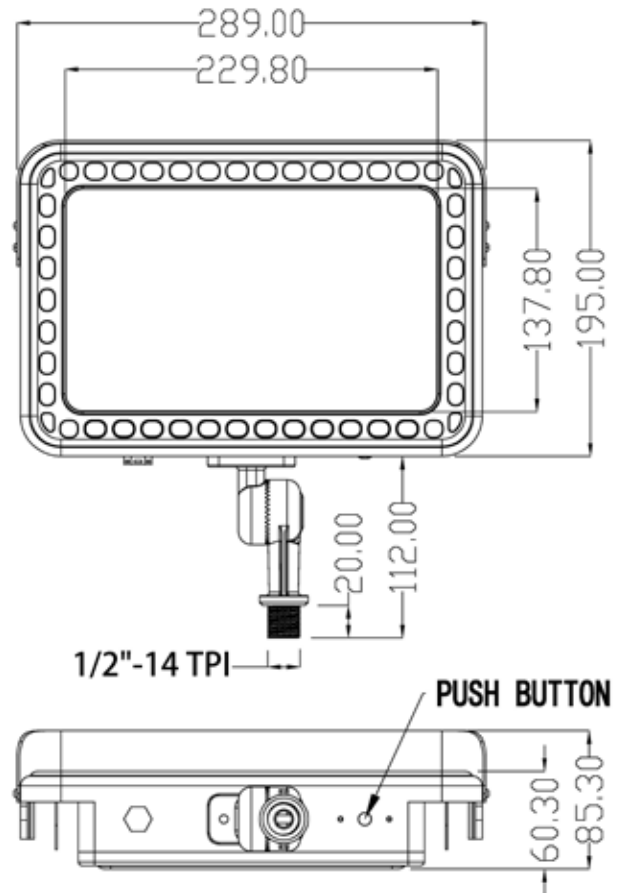
LEONLITE 12W RGB Low Voltage Landscape Lights, with a 65° wide beam, effectively create bright zones for area lighting. These lights, boasting 7 colors and 2 dynamic modes, are IP65 waterproof and ETL listed, offering excellent cost-performance. The 135° vertically adjustable light holder enables targeted, multi-angle illumination.

Features & Benefits

- ETL Listed & IP65 Waterproof: Ensures durability and reliability outdoors.
- High Cost-Performance: Efficient area lighting, 65° wide beam for large trees and distinct bright zones.
- Adjustable Light Holder: 135° vertical rotation for targeted illumination.
- 7 Colors & 2 Dynamic Modes: Versatile color options for enhanced ambiance.
- Safe Low Voltage: Ideal for homes with children and pets, 12V-24V AC/DC.

Potente Smart LED Flood Light - RGB

SF3FLO-SDW100WDRGBCW-BRN



Specifications

Wattage: 100W
 Voltage: 100-277V
 Luminous Flux: 8000lm
 Beam Angle: 120°
 Color Rendering Index (CRI): ≥ 80 RA
 Lifespan: 50,000 Hours
 Light Source: LED
 Color Temperature (CCT): RGBCW (Red/Green/Blue/Warm White/
 Cool White,adjustable)
 Waterproof Rating: IP65
 Operating Temperature: -4°F to 104°F (-20°C to 40°C)
 Material: Die-casted Aluminum



Product description

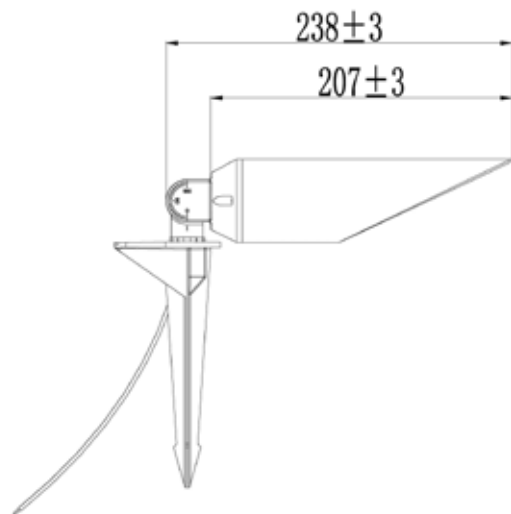
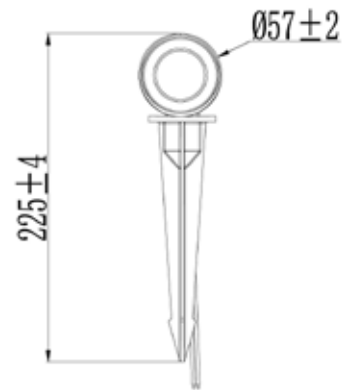
Experience the LEONLITE Smart Bluetooth LED Flood Light, where advanced technology meets user-friendly design. Easily manage lighting with a smart app or voice commands. Enjoy stadium-level brightness with the energy cost of a small lamp, ensuring both powerful light and efficiency. This durable floodlight endures all weather, perfect for any setting. Choose from 16 million colors to create the ideal ambiance for every moment.

Features & Benefits

- 1% to 100% Dimmable with Color Changing Smart Control.
- ETL Listed & IP65 Waterproof: Ensures durability and reliability outdoors.
- High Cost-Performance: Efficient area lighting, 120° wide beam for large trees, flag poles, and distinct bright zones. Up to 50,000 hours of lifespan. Premium choice for commercial lighting.
- 7 Colors & 2 Dynamic Modes: Versatile color options for enhanced ambiance.
- Commercial Grade Voltage: 100V-277V AC/DC

XGEN Acuto Ordinario Spot Light

SX4LSLLO-SCDL5N3CCTH-BLK



Specifications

Wattage: 5 watts
 Voltage: 12-24 Volts AC/DC
 Luminous Flux: 350 Lumen
 Beam Angle: 15° ± 3°
 Color Rendering Index (CRI): 90.00
 Lifespan: 30,000 Hours
 Light Source: LED
 Color Temperature (CCT): 2700K/3000K/4000K Adjustable
 Waterproof Rating: IP65
 Operating Temperature: -4°F to 122°F
 Material: Die-Cast Aluminum



Standard Finish



Product description

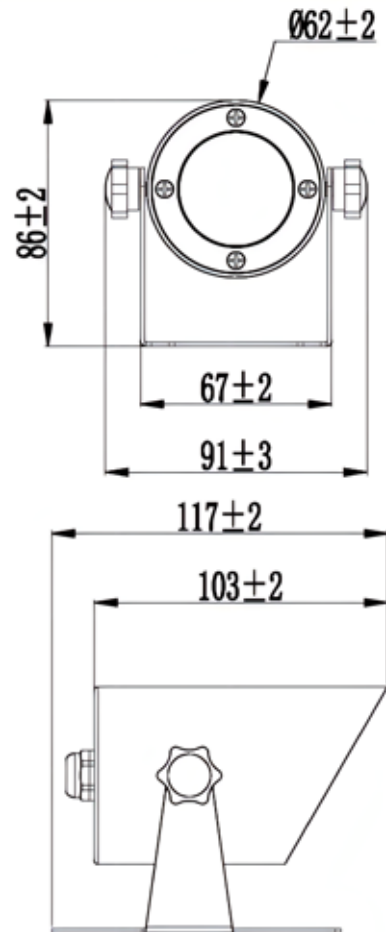
LEONLITE's 5W Spotlight offers a 15° narrow beam for precise lighting of architectural details or garden elements, featuring a 180° adjustable head, selectable CCT, and stake-free installation option for versatile outdoor use.

Features & Benefits

- Precision Lighting: 15° narrow beam for highlighting specific features.
- Flexible Positioning: 180° adjustable head for targeted illumination.
- Customizable Ambiance: 3CCT color selection for varied lighting needs.
- Versatile Installation: Stake-free option for easy outdoor spotlight use.
- Durable and Safe: ETL listed, IP65 waterproof, and high CRI90 for true color rendering.

Sottomarini Underwater Light

SX4PLLO-CDL5N27-SS



Specifications

Wattage: 5W

Voltage: 12V-24V AC/DC

Luminous Flux: 350lm±5%

Beam Angle: 15°

Color Rendering Index (CRI): 80+

Lifespan: 30000 Hours

Light Source: N/A

Color Temperature (CCT): 2700K Soft White

Waterproof Rating: IP68

Operating Temperature: -4°F to 122°F

Material: Stainless Steel



Standard Finish



Product description

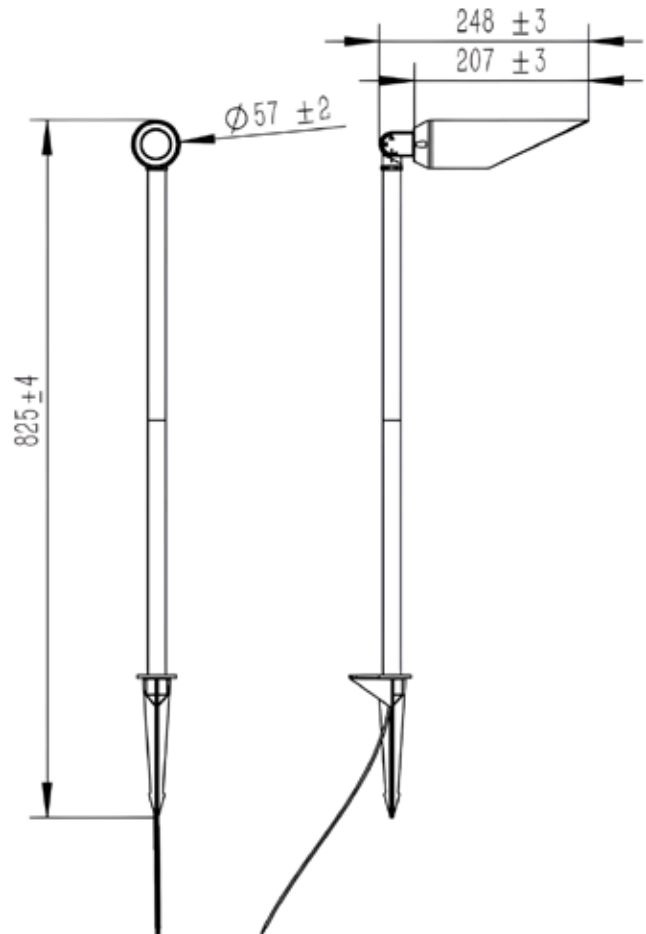
The LED Underwater Spotlights, boasting an IP68 waterproof rating, are engineered for complete waterproofing. Constructed from robust stainless steel and capable of being installed at depths of up to 16.4 feet, they are ideal for accentuating water flows in fountains or waterfalls. Additionally, these lights ensure the safe illumination of aquatic life, causing no harm.

Features & Benefits

- Complete waterproofing with IP68 rating, ensures durability underwater.
- 15° focused beam, highlights water flows and fish.
- 260° horizontal rotation, precision lighting.
- Stainless steel, corrosion-resistant, harmless to aquatic life.

XGEN Acuto Tall Spot Light

SX4LSLLO-LCDL5N3CCTH

**Specifications**

Wattage: 5 watts

Voltage: 12-24 Volts AC/DC

Luminous Flux: 350 Lumen

Beam Angle: $15^{\circ} \pm 3^{\circ}$

Color Rendering Index (CRI): 90.00

Lifespan: 30,000 Hours

Light Source: LED

Color Temperature (CCT): 2700K/3000K/4000K Adjustable

Waterproof Rating: IP65

Operating Temperature: -4°F to 122°F

Material: Die-Cast Aluminum



Standard Finish

**Product description**

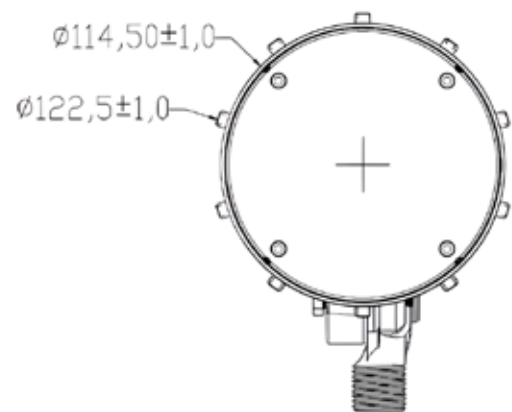
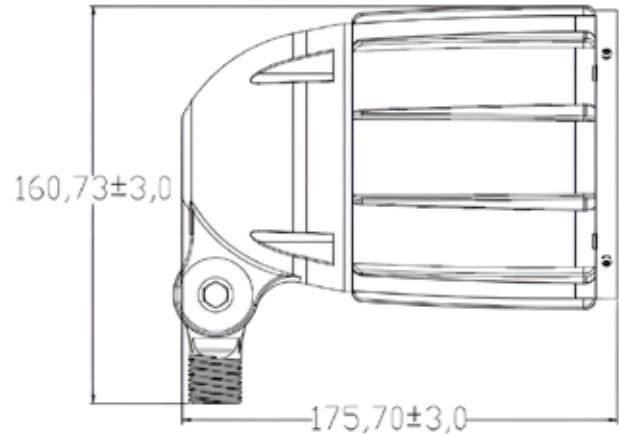
LEONLITE's 3CCT 5W Spotlight illuminates with precision, featuring a 15° narrow beam perfect for highlighting architectural or garden features. Its LED source offers low maintenance, consistent lighting. With a head that adjusts 180° for optimal directionality, plus three height settings and selectable color temperatures, it's ideal for elevated positions like flower beds or nurseries.

Features & Benefits

- Precision Highlighting: 15° beam for targeted illumination of architectural features or garden highlights.
- Flexible Positioning: 180° adjustable head and three height settings for optimal directionality.
- Customizable Ambiance: 3CCT color selection for varied lighting needs.
- Durable and Safe: ETL listed, IP65 waterproof, and high CRI90 for true color rendering.

Commercial Ultra Bright Spot Light

SY12SPL-30W22A30 / SY12SPL-30W22A50



Specifications

Wattage: 30W

Voltage: 100-277V AC

Luminous Flux: 4000lm

Beam Angle: 22°

Color Rendering Index (CRI): 70

Lifespan: 50,000 Hours

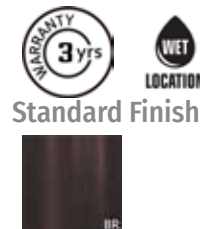
Light Source: LED

Color Temperature (CCT): 3000K / 5000K (Available in two models)

Waterproof Rating: Wet location

Operating Temperature: -4°F-104°F

Material: Die-casted aluminum



Product description

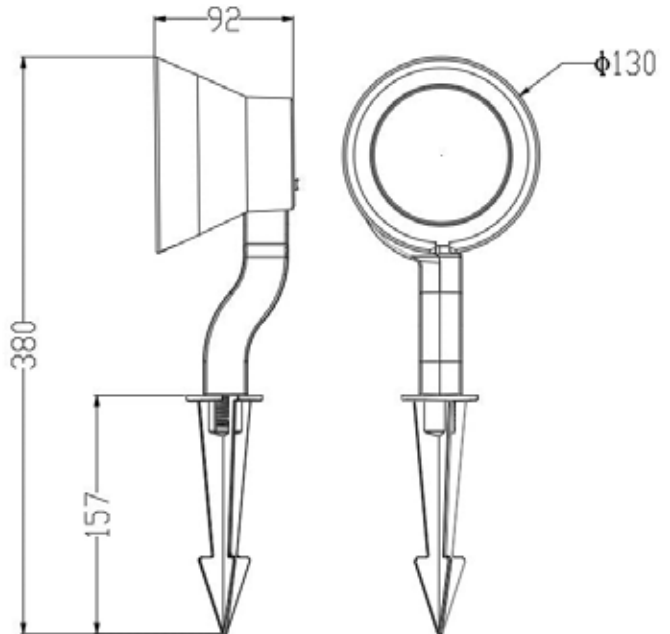
LEONLITE 30W LED Spotlight, engineered for commercial-grade brightness, illuminates up to 20 feet, ideal for flagpoles or palm trees. Features a 22° focused beam angle with a specialized lens for accurate lighting. Compatible with 100-277V and easily mountable on pipes or bases with its 1/2-inch threaded joint.

Features & Benefits

- 100-277V compatibility, adaptable for diverse commercial settings.
- Ultra-bright 4000LM, ideal for 20+ feet illumination; energy-efficient LED.
- 22° focused beam, precise lighting; special lens, reduced wastage.
- 1/2-inch threaded joint, installable on base/tube; 180° rotatable knuckle mount.
- Weatherproof and durable; UL-Listed, reliable for outdoor use.

Round Grandangolo Flood Light

ZH3LSLLO-RDLD3CCTH-BRN



Specifications

Wattage: 3.7W/7.3W/12W adjustable

Voltage: 12-24V AC/DC

Luminous Flux: 300lm/600lm/900lm adjustable

Beam Angle: 65°

Color Rendering Index (CRI): 90

Lifespan: 40000 Hours

Light Source: LED

Color Temperature (CCT): 3000K/4000K/5000K adjustable

Waterproof Rating: Wet location

Operating Temperature: -4°F-104°F (-20°C-40°C)

Material: Die-cast Aluminum + Plastic + Glass



Standard Finish



Product description

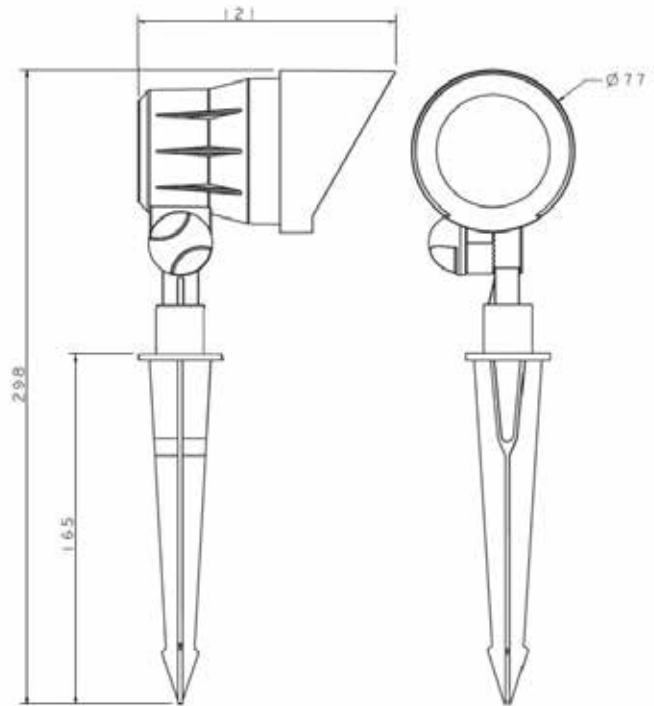
Optimized for cost-effective area lighting, the LEONLITE LED Lights offer a wide 65-degree beam for large-scale illumination. The integrated LED source provides consistent light with minimal upkeep. Features include 3CCT color temperature selection and adjustable brightness levels (300LM to 900LM). The 132° adjustable head allows for versatile positioning.

Features & Benefits

- 65-degree wide beam and elliptical projection: Offers extensive coverage and efficient lighting for large areas.
- 3CCT color selection (3000K/4000K/5000K): Versatile ambiance settings.
- Dimmable (300LM/600LM/900LM): Adjustable light intensity.
- 132° adjustable head: Precise directional lighting.
- High CRI (90): Vivid, natural color rendering.

Punto Spot Light - 3CCT

ZH3-LSLLO-RCDL4N3CCTH-BRN



Specifications

Wattage: 4W

Voltage: 12-24V AC/DC

Luminous Flux: 164lm

Beam Angle: 45°

Color Rendering Index (CRI): 90

Lifespan: 40,000 Hours

Light Source: LED

Color Temperature (CCT): 3000K / 4000K / 5000K (Adjustable)

Waterproof Rating: Wet location

Operating Temperature: -4°F to 104°F (-20°C to 40°C)

Material: Die-cast Aluminum + Plastic + Glass



Standard Finish



Product description

LEONLITE's LED Landscape Spotlight features a 45° beam angle, perfect for wall washing, highlighting, and silhouette lighting. It offers three color temperatures for tailored lighting needs and a 180° rotation for flexible positioning. The minimalist design, high CRI90+ for true color accuracy, and anti-glare shield make it both user-friendly and visually comfortable.

Features & Benefits

- 45° Versatile Beam: Ideal for wall washing, highlighting, texture grazing.
- Adjustable Color: 3 color temperatures available for customized lighting.
- Flexible Positioning: 180° rotation for optimal light direction.
- Minimalist Design: Easy to install and clean.
- Safety First: 12V low voltage, ETL & FCC listed, child and pet friendly.
- Bright & Natural Light: Glare-free illumination, high CRI90+ for true color rendering.



LEONLITE® PATIO & HARDSCAPE LIGHTING

Our curated lighting designs and scenes serve as a starting point, not a constraint, facilitating quick solution matching for contractors and inspiration for homeowners.

Upgraded Lighting Solutions

Experience superior design and functionality



Tiki Outdoor Pendant & Patio Light



Pivot™ 4" Hardscape & Retaining Wall Light



Pivot™ 7" Hardscape & Retaining Wall Light



Pivot™ 12" Hardscape & Retaining Wall Light



Pro Neon Rope Light - RGB

Outdoor Kitchen & Pergola Pendant Lighting

Ideal for illuminating outdoor kitchens and pergolas, these pendant lights enhance ambiance and functionality in open-air settings.



Calvo Outdoor Pendant & Patio Light

Cilindrico Outdoor Pendant & Patio Light

Tree-Hanging Outdoor Pendant Lighting

With their hole-punched lantern shades, these lights are superb for hanging on trees, offering a unique light diffusion that enhances the atmosphere.



Scheletro Outdoor Pendant & Patio Light

Tiki Outdoor Pendant & Patio Light



Retaining Wall, Stone Step, and Stone Flower Bed Lighting Illumination

For contractors, the Pivot™ series, with its adjustable head angles, is advised for enhanced flexibility and optimal illumination.



Pivot™ 4" Hardscape & Retaining Wall Light



Pivot™ 7" Hardscape & Retaining Wall Light



Pivot™ 12" Hardscape & Retaining Wall Light



Centripeta™ 4" Hardscape & Retaining Wall Light



Centripeta™ 7" Hardscape & Retaining Wall Light



Centripeta™ 12" Hardscape & Retaining Wall Light



Corner Illumination for Stone Pillars and Walls

Specially designed to light up the corners of stone pillars and wall edges, these fixtures enhance architectural features with precise lighting.



Angolo Retto Hardscape & Step
Light

Illumination for Commercial Decor Walls

Designed to highlight cultural walls, decorative panels, and red brick walls, bringing out the textures and colors in commercial settings.



Quasar Side Lit Smart Wall Light



Neon Outline Lights for Homes and Billboards

Our Neon Rope Lights are the perfect solution for creating striking outlines around homes and making billboards pop with color and light.



Pro Neon Rope Light - RGB



Pro Neon Rope Light - Green



Pro Neon Rope Light - White



LeonLite® Pro Neon Rope Light - Warm White



Pro Neon Rope Light - Amber



Pro Neon Rope Light - Red



Pro Neon Rope Light - Pink

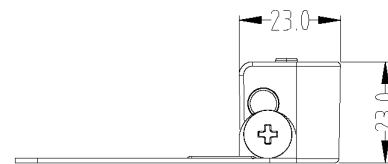
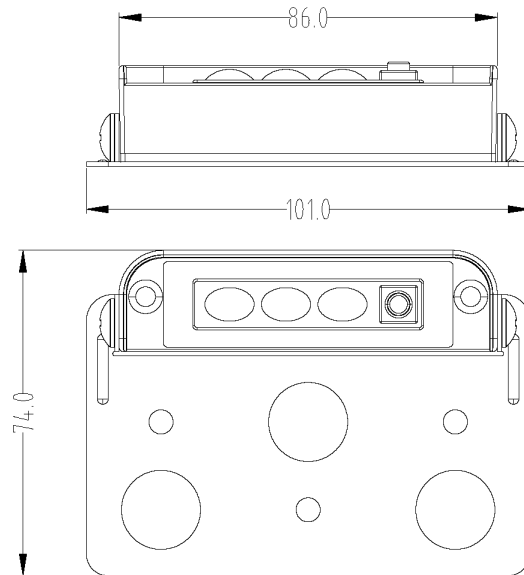


Pro Neon Rope Light - Blue



Pivot Hardscape & Step Light - 4" Corto 5CCT

SJ1HSLLO-4SDL2N5CCTH-BRNW



Specifications

Wattage: 2W

Voltage: 12V-24V AC/DC

Luminous Flux: 2200K-100lm 2700K-105lm 3000K-110lm

4000K-120lm 5000K-126lm

Beam Angle: 100°

Color Rendering Index (CRI): 90

Lifespan: 40,000 Hours

Light Source: LED

Color Temperature (CCT): 2200K/2700K/3000K/4000K/5000K adjustable

Waterproof Rating: IP65

Operating Temperature: -4°F to 104°F

Material: Die-casted aluminum

Product description

This hardscape light, with a rotatable head and a durable die-cast aluminum body, outlasts softer pressed aluminum options and provides enduring landscape lighting. It features 5 color temperatures adjustable, perfect for accenting retaining walls or serving as versatile paver lights, ensuring consistent, low-glare illumination and superior color accuracy.

Features & Benefits

- Robust die-cast aluminum body; superior to standard pressed aluminum; ideal for heavy-duty outdoor use.
- Customizable cut-to-size stainless steel plate; detachable light bar for effortless installation.
- 180° Rotatable Light Head: Enables fine-tuning of wall texture highlights and precise light direction towards steps and pathways.
- 5CCT and High CRI 90: Seamlessly blends with existing lights, ensuring vibrant colors and consistent illumination.
- IP65 waterproof rating; assured reliability in wet conditions; perfect for a variety of outdoor settings.

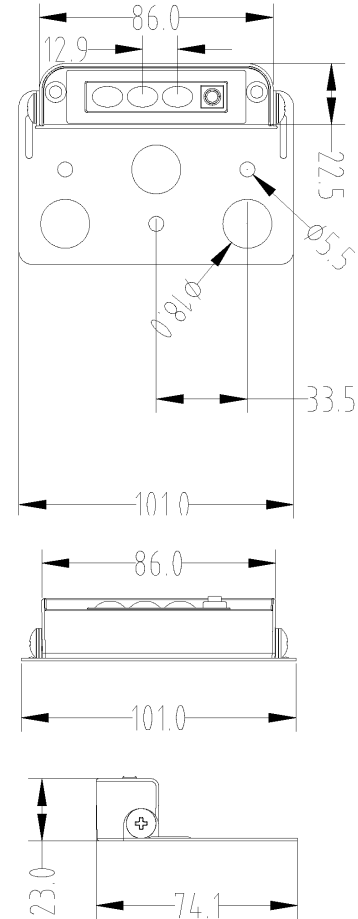


Standard Finish



Pivot Hardscape & Step Light - 4" Corto RGB

SJ1HSL-D1W4INRGBW



Specifications

Wattage: 1W

Voltage: 12V-24V AC/DC

Luminous Flux: 50lm

Beam Angle: 95°

Color Rendering Index (CRI): 80+ (at 3000K)

Lifespan: 40,000 Hours

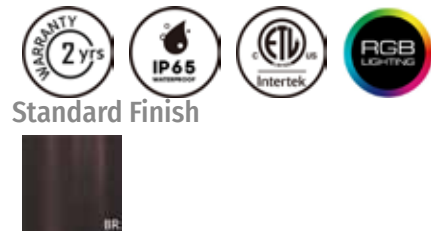
Light Source: LED

Color Temperature (CCT): Warm White(3000K), White(4500K), Red, Green, Blue, Yellow, Purple selectable.

Waterproof Rating: IP65

Operating Temperature: -4°F to 122°F

Material: Die-casted aluminum



Product description

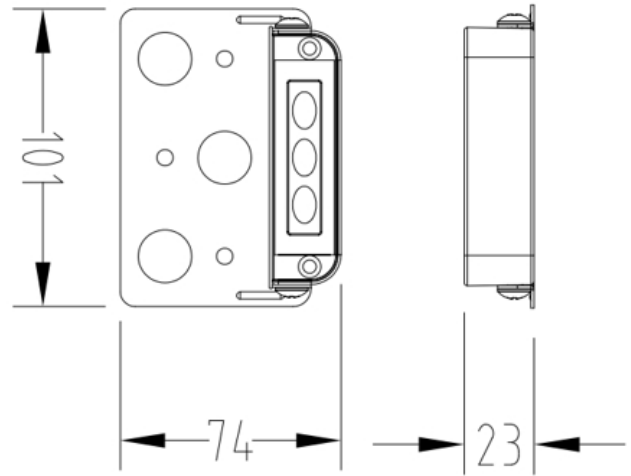
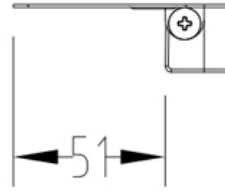
The LEONLITE Classic Series provides lasting landscape lighting with its durable die-cast aluminum body, superior to softer pressed aluminum. It features a rotatable head for flexible lighting direction and offers 9 modes including 7 colors, perfect for accenting retaining walls or as versatile paver lights.

Features & Benefits

- RGB Color Switching; Features multiple luminous effects for customizable ambiance.
- Robust die-cast aluminum body; superior to standard pressed aluminum; ideal for heavy-duty outdoor use.
- Customizable cut-to-size stainless steel plate; detachable light bar for effortless installation.
- 270° Rotatable Light Head: Enables fine-tuning of wall texture highlights and precise light direction towards steps and pathways.
- IP65 waterproof rating; assured reliability in wet conditions; perfect for a variety of outdoor settings.

Pivot Hardscape & Step Light - 4" Corto

SJ1HSL-D2W4IN27 / SJ1HSL-D2W4IN50



Specifications

Wattage: 2W
 Voltage: 12V AC/DC
 Luminous Flux: 150lm
 Beam Angle: 95°
 Color Rendering Index (CRI): >90
 Lifespan: 40,000 Hours
 Light Source: LED
 Color Temperature (CCT): 2700K/5000K (two models)
 Waterproof Rating: IP65
 Operating Temperature: -4°F to 122°F
 Material: Die-casted aluminum



Standard Finish



Product description

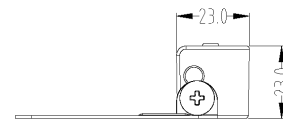
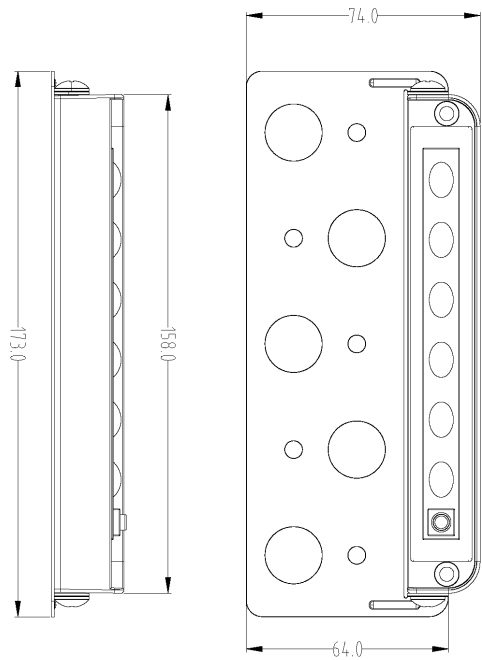
The LEONLITE Classic Series offers enduring landscape lighting with its die-cast aluminum body, outlasting softer pressed aluminum options. Featuring a rotatable head for flexible lighting direction, it's ideal for accenting retaining walls or as versatile paver lights, ensuring consistent, low-glare illumination with superior color accuracy.

Features & Benefits

- 270° Rotatable Light Head: Enables fine-tuning of wall texture highlights and precise light direction towards steps and pathways.
- Robust die-cast aluminum body; superior to standard pressed aluminum; ideal for heavy-duty outdoor use.
- Customizable cut-to-size stainless steel plate; detachable light bar for effortless installation.
- Energy-saving 2W LED technology; bright as 7W incandescent; reduces power costs.
- IP65 waterproof rating; assured reliability in wet conditions; perfect for a variety of outdoor settings.

Pivot Hardscape & Step Light - 7" Tall 5CCT

SJ1HSLLO-7SDL4N5CCTH-BRNW



Specifications

Wattage: 4.5W

Voltage: 12V-24V AC/DC

Luminous Flux: 2200K-100lm 2700K-105lm 3000K-110lm

4000K-120lm 5000K-126lm

Beam Angle: 100°

Color Rendering Index (CRI): 90

Lifespan: 40,000 Hours

Light Source: LED

Color Temperature (CCT): 2200K/2700K/3000K/4000K/5000K adjustable

Waterproof Rating: IP65

Operating Temperature: -4°F to 104°F

Material: Die-casted aluminum

Product description

This hardscape light, with a rotatable head and a durable die-cast aluminum body, outlasts softer pressed aluminum options and provides enduring landscape lighting. It features 5 color temperatures adjustable, perfect for accenting retaining walls or serving as versatile paver lights, ensuring consistent, low-glare illumination and superior color accuracy.

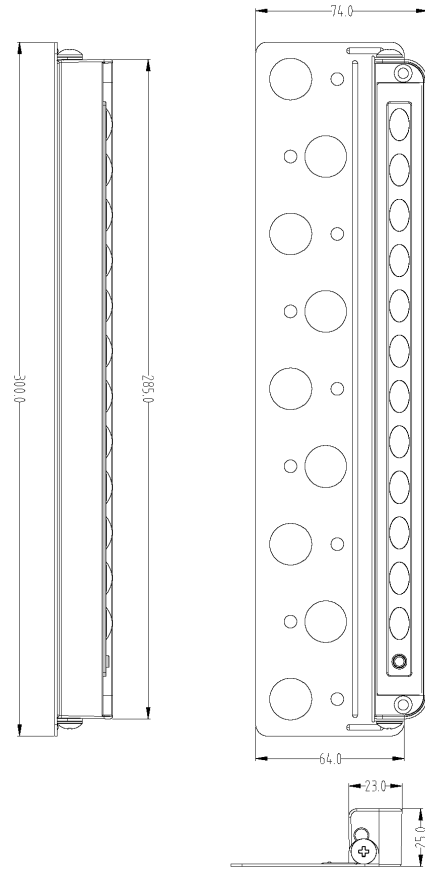
Features & Benefits

- Robust die-cast aluminum body; superior to standard pressed aluminum; ideal for heavy-duty outdoor use.
- Customizable cut-to-size stainless steel plate; detachable light bar for effortless installation.
- 180° Rotatable Light Head: Enables fine-tuning of wall texture highlights and precise light direction towards steps and pathways.
- 5CCT and High CRI 90: Seamlessly blends with existing lights, ensuring vibrant colors and consistent illumination.
- IP65 waterproof rating; assured reliability in wet conditions; perfect for a variety of outdoor settings.



Pivot Hardscape & Step Light - 12" Grante 5CCT

SJ1HSLLO-12SDL7N5CCTH-BRNW



Specifications

Wattage: 7W

Voltage: 12V-24V AC/DC

Luminous Flux: 2200K-100lm 2700K-105lm 3000K-110lm

4000K-120lm 5000K-126lm

Beam Angle: 100°

Color Rendering Index (CRI): 90

Lifespan: 40,000 Hours

Light Source: LED

Color Temperature (CCT): 2200K/2700K/3000K/4000K/5000K adjustable

Waterproof Rating: IP65

Operating Temperature: -4°F to 104°F

Material: Die-casted aluminum

Product description

This hardscape light, with a rotatable head and a durable die-cast aluminum body, outlasts softer pressed aluminum options and provides enduring landscape lighting. It features 5 color temperatures adjustable, perfect for accenting retaining walls or serving as versatile paver lights, ensuring consistent, low-glare illumination and superior color accuracy.

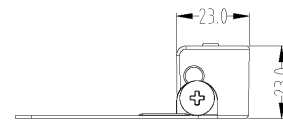
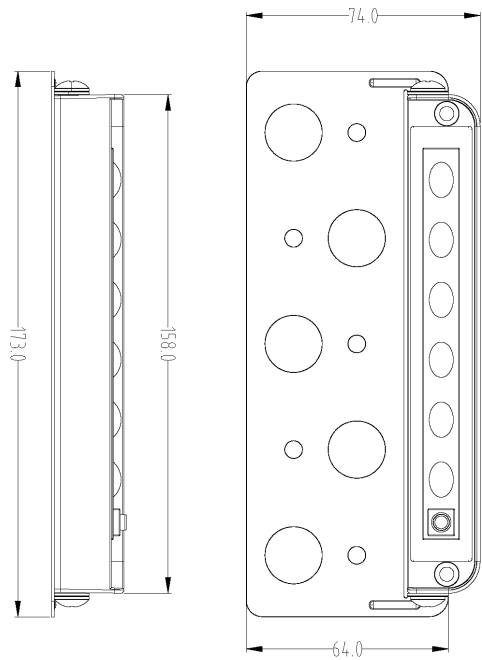
Features & Benefits

- Robust die-cast aluminum body; superior to standard pressed aluminum; ideal for heavy-duty outdoor use.
- Customizable cut-to-size stainless steel plate; detachable light bar for effortless installation.
- 180° Rotatable Light Head: Enables fine-tuning of wall texture highlights and precise light direction towards steps and pathways.
- 5CCT and High CRI 90: Seamlessly blends with existing lights, ensuring vibrant colors and consistent illumination.
- IP65 waterproof rating; assured reliability in wet conditions; perfect for a variety of outdoor settings.



Pivot Hardscape & Step Light - 7" Tall RGB

SJ1HSL-D3W7INRGBW



Specifications

Wattage: 3W

Voltage: 12V AC/DC

Luminous Flux: 100lm

Beam Angle: 95°

Color Rendering Index (CRI): 80+ (at 3000K)

Lifespan: 40,000 Hours

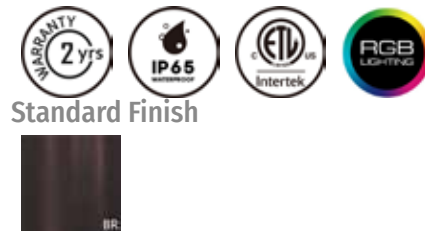
Light Source: LED

Color Temperature (CCT): Warm White(3000K), White(4500K), Red, Green, Blue, Yellow, Purple selectable.

Waterproof Rating: IP65

Operating Temperature: -4°F to 122°F

Material: Die-casted aluminum



Product description

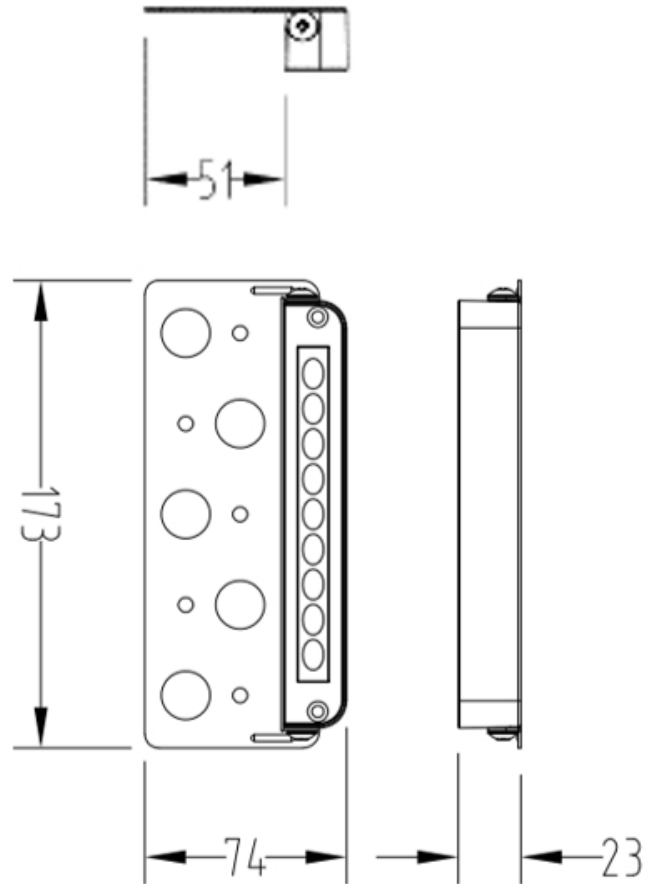
The LEONLITE Classic Series provides lasting landscape lighting with its durable die-cast aluminum body, superior to softer pressed aluminum. It features a rotatable head for flexible lighting direction and offers 9 modes including 7 colors, perfect for accenting retaining walls or as versatile paver lights.

Features & Benefits

- RGB Color Switching; Features multiple luminous effects for customizable ambiance.
- Robust die-cast aluminum body; superior to standard pressed aluminum; ideal for heavy-duty outdoor use.
- Customizable cut-to-size stainless steel plate; detachable light bar for effortless installation.
- 180° Rotatable Light Head: Enables fine-tuning of wall texture highlights and precise light direction towards steps and pathways.
- IP65 waterproof rating; assured reliability in wet conditions; perfect for a variety of outdoor settings.

Pivot Hardscape & Step Light - 7" Tall

SJ1HSL-D4W7IN27 / SJ1HSL-D4W7IN50



Specifications

Wattage: 4.5W

Voltage: 12V AC/DC

Luminous Flux: 310lm

Beam Angle: 95°

Color Rendering Index (CRI): >90

Lifespan: 40,000 Hours

Light Source: LED

Color Temperature (CCT): 2700K/5000K (two models)

Waterproof Rating: IP65

Operating Temperature: -4°F to 122°F

Material: Die-casted aluminum



Standard Finish



Product description

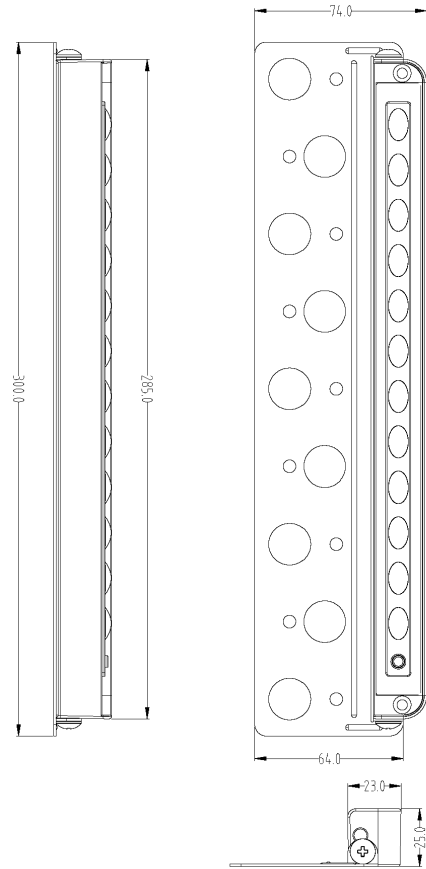
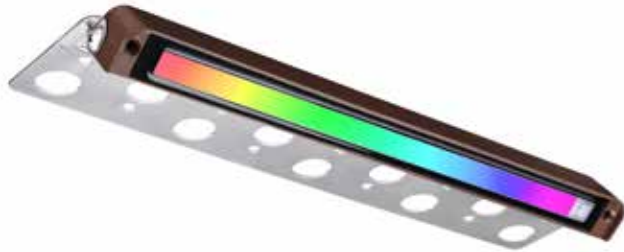
The LEONLITE Classic Series offers enduring landscape lighting with its die-cast aluminum body, outlasting softer pressed aluminum options. Featuring a rotatable head for flexible lighting direction, it's ideal for accenting retaining walls or as versatile paver lights, ensuring consistent, low-glare illumination with superior color accuracy.

Features & Benefits

- Robust die-cast aluminum body; superior to standard pressed aluminum; ideal for heavy-duty outdoor use.
- Customizable cut-to-size stainless steel plate; detachable light bar for effortless installation.
- 180° Rotatable Light Head: Enables fine-tuning of wall texture highlights and precise light direction towards steps and pathways.
- Energy-saving 4.5W LED technology; bright as 12W incandescent; reduces power costs.
- IP65 waterproof rating; assured reliability in wet conditions; perfect for a variety of outdoor settings.

Pivot Hardscape & Step Light - 12" Grante RGB

SJ1HSL-D5W12INRGBW



Specifications

Wattage: 5W

Voltage: 12V-24V AC/DC

Luminous Flux: 100lm

Beam Angle: 95°

Color Rendering Index (CRI): 80+ (at 3000K)

Lifespan: 40,000 Hours

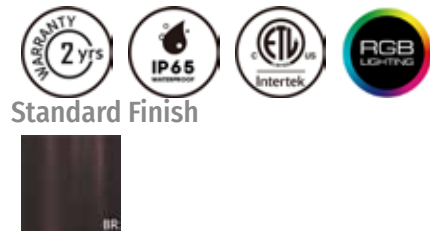
Light Source: LED

Color Temperature (CCT): Warm White(3000K), White(4500K), Red, Green, Blue, Yellow, Purple selectable.

Waterproof Rating: IP65

Operating Temperature: -4°F to 122°F

Material: Die-casted aluminum



Product description

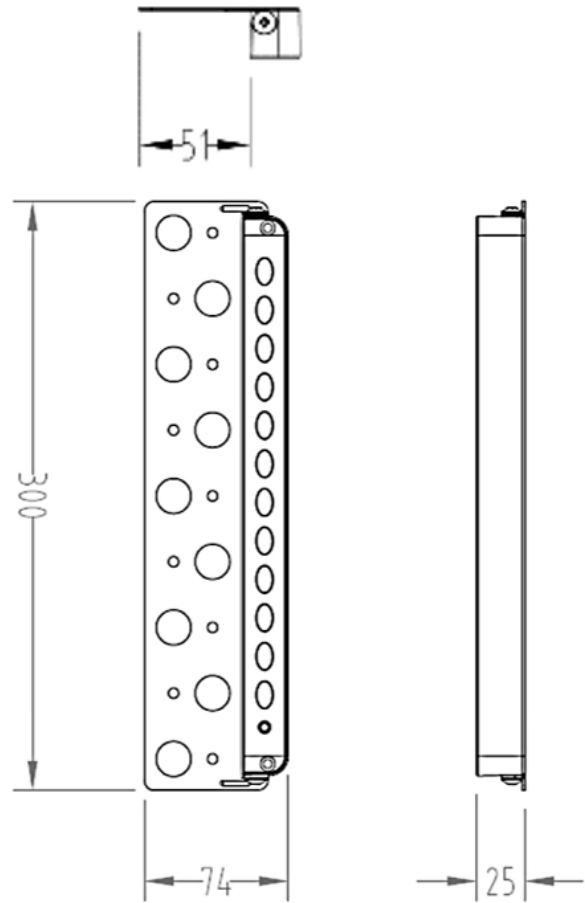
The LEONLITE Classic Series provides lasting landscape lighting with its durable die-cast aluminum body, superior to softer pressed aluminum. It features a rotatable head for flexible lighting direction and offers 9 modes including 7 colors, perfect for accenting retaining walls or as versatile paver lights.

Features & Benefits

- RGB Color Switching; Features multiple luminous effects for customizable ambiance.
- 120° Rotatable Light Head: Enables fine-tuning of wall texture highlights and precise light direction towards steps and pathways.
- Robust die-cast aluminum body; superior to standard pressed aluminum; ideal for heavy-duty outdoor use.
- Customizable cut-to-size stainless steel plate; detachable light bar for effortless installation.
- IP65 waterproof rating; assured reliability in wet conditions; perfect for a variety of outdoor settings.

Pivot Hardscape & Step Light - 12" Grante

SJ1HSL-DL7D12IN30H-BRN / SJ1HSL-DL7D12IN50H-BRN



Specifications

Wattage: 3W,5W,7W (3-Way Dimmable)

Voltage: 12V-24V AC/DC

Luminous Flux: 220lm (3W), 360lm (5W), 450lm (7W)

Beam Angle: 95°

Color Rendering Index (CRI): 90

Lifespan: 40,000 Hours

Light Source: SMD LED

Color Temperature (CCT): Available in 3000K and 5000K models

Waterproof Rating: IP65

Operating Temperature: -20°C to 40°C (-4°F to 104°F)

Material: Die-casted aluminum



Standard Finish



Product description

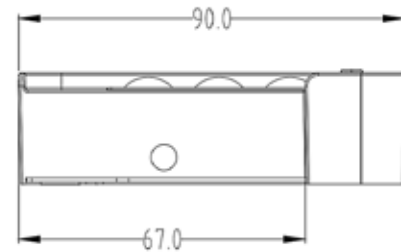
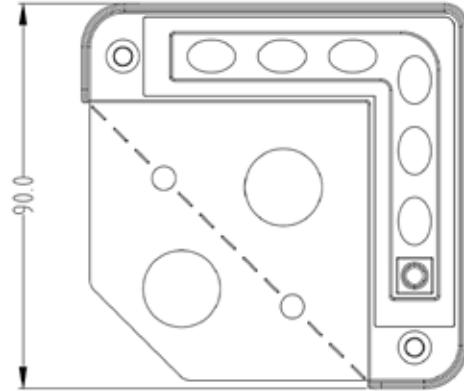
The LEONLITE Classic Series offers enduring landscape lighting with its die-cast aluminum body, outlasting softer pressed aluminum options. Featuring a rotatable head for flexible lighting direction and 3-level dimming for adjustable brightness, it's ideal for accenting retaining walls or as versatile paver lights, ensuring consistent, low-glare illumination with superior color accuracy.

Features & Benefits

- Robust die-cast aluminum body; superior to standard pressed aluminum; ideal for heavy-duty outdoor use.
- Customizable cut-to-size stainless steel plate; detachable light bar for effortless installation.
- 120° Rotatable Light Head: Enables fine-tuning of wall texture highlights and precise light direction towards steps and pathways.
- 3-Way Dimming: Simple press to switch modes - 3W/220lm, 5W/360lm, 7W/450lm. Includes memory function.
- IP65 waterproof rating; assured reliability in wet conditions; perfect for a variety of outdoor settings.

Angolo Retto Hardscape & Step Light - 3CCT

SJ1SLLO-RDL3N3CCT-BRN



Specifications

Wattage: 3W

Voltage: 12-24V AC/DC

Luminous Flux: 180lm

Beam Angle: 120°

Color Rendering Index (CRI): 80+

Lifespan: 50000 Hours

Light Source: LED

Color Temperature (CCT): 2700K / 3000K / 4500K selectable

Waterproof Rating: IP65

Operating Temperature: -4°F-104°F

Material: Die-cast aluminum



Standard Finish



Product description

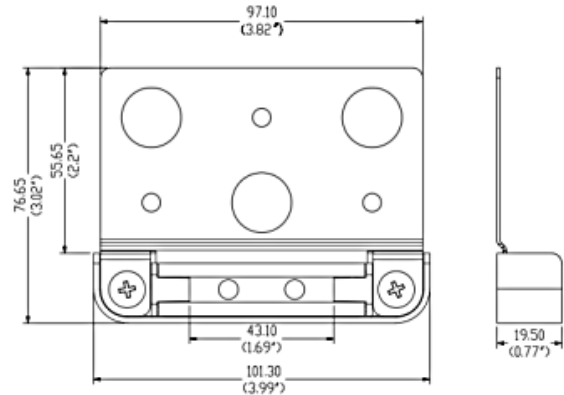
The LEONLITE 3CCT LED Hardscape Light, with its right-angle design, is ideal for corners, enhancing areas often missed by standard lighting. Easy to install on retaining walls, brickwork, and flower beds, its detachable structure suits various outdoor settings. Offering three color temperatures, it adapts seamlessly to different outdoor lighting needs.

Features & Benefits

- Right Angle Design: Ideal for corners, eliminates dark spots, enhances small scene lighting.
- Easy Install: Detachable design and cutting lines for versatile placement, simplifies installation without altering existing structures.
- ETL & Low Voltage: Safe, energy-efficient for outdoor use.
- Cast Aluminum: Thicker, higher quality, retains shape better than stamped aluminum.
- 3 CCTs: 2700K/3000K/4500K options for varied outdoor ambiance.

Centripeta Hardscape & Step Light - 4" Corto

SJ1HSL-1W4IN27 / SJ1HSL-1W4IN50



Specifications

Wattage: 0.5W

Voltage: 12V AC/DC

Luminous Flux: 44lm

Beam Angle: 60°

Color Rendering Index (CRI): >90

Lifespan: 40,000 Hours

Light Source: LED

Color Temperature (CCT): 2700K/5000K (two models)

Waterproof Rating: IP65

Operating Temperature: -4°F to 122°F

Material: Die-casted aluminum



Standard Finish



Product description

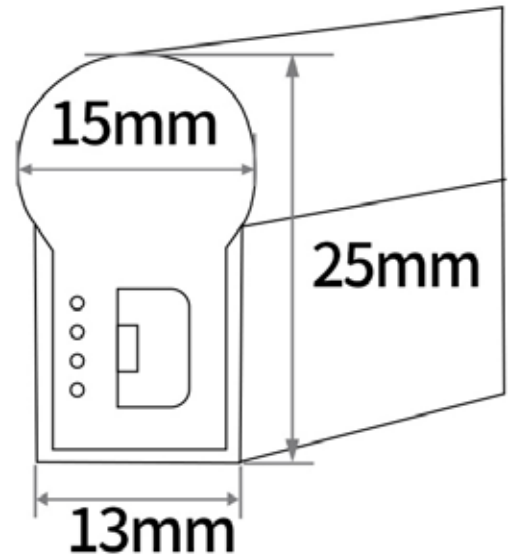
The LEONLITE Classic Series offers enduring landscape lighting with its die-cast aluminum body, outlasting softer pressed aluminum options. Ideal for accenting retaining walls or as versatile paver lights, they ensure consistent, low-glare illumination with superior color accuracy.

Features & Benefits

- Robust die-cast aluminum body; superior to standard pressed aluminum; ideal for heavy-duty outdoor use.
- Customizable cut-to-size stainless steel plate; detachable light bar for effortless installation.
- Downward glare-free LED lighting; high CRI of 90 for accurate color representation.
- Energy-saving 0.5W LED technology; bright as 4W incandescent; reduces power costs.
- IP65 waterproof rating; reliable performance in wet conditions; suited for diverse landscapes.

Pro Neon Rope Light - RGB

SB8STPK120V-1525RGB



Specifications

Wattage: 165.6W, 11.04W/3.3 ft

Voltage: AC 120V

Luminous Flux: N/A

Beam Angle: 180°

Color Rendering Index (CRI): N/A

Lifespan: 50,000 Hours

Light Source: LED

Color Temperature (CCT): RGB (adjustable)

Waterproof Rating: IP65

Operating Temperature: -31°F to 95°F (-35°C to 35°C)

Material: PVC



Standard Finish

PVC

Product description

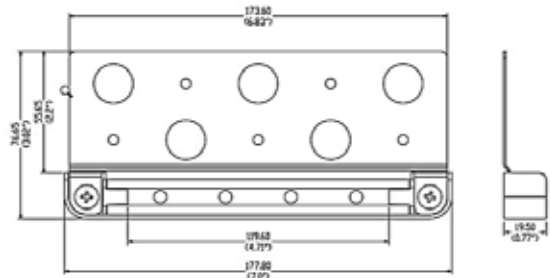
Durable and waterproof, these 50ft neon rope lights are perfect for outdoor ambiance, easily linkable up to 100ft. High-voltage, plug-and-play convenience allows for seamless installation along walls, under bushes, and around flower beds for edge outlining and mood lighting. Features 16 functions and multi-color settings, controllable from a distance of 49-66 feet.

Features & Benefits

- IP67 waterproof: Outdoor resilience.
- Easy plug-and-play, 120V: Quick setup.
- Linkable, 100ft max: Flexible extension.
- Mounting kit included: Hassle-free installation.
- Uniform illumination: No dark spots.
- 16 functions, multi-color: Remote control, 49-66ft range.
- Soft, safe PVC: Durable, UV-free.
- Efficient 5A rectifier: Reliable operation.

Centripeta Hardscape & Step Light - 7" Tall

SJ1HSL-2W7IN27 / SJ1HSL-2W7IN50



Specifications

Wattage: 1.5W

Voltage: 12V AC/DC

Luminous Flux: 110lm

Beam Angle: 60°

Color Rendering Index (CRI): >90

Lifespan: 40,000 Hours

Light Source: LED

Color Temperature (CCT): 2700K/5000K (two models)

Waterproof Rating: IP65

Operating Temperature: -4°F to 122°F

Material: Die-casted aluminum



Standard Finish



Product description

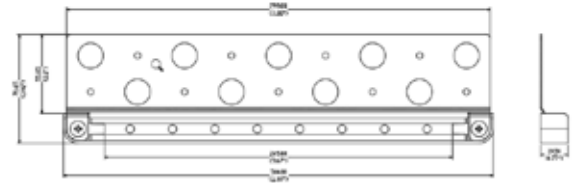
The LEONLITE Classic Series offers enduring landscape lighting with its die-cast aluminum body, outlasting softer pressed aluminum options. Ideal for accenting retaining walls or as versatile paver lights, they ensure consistent, low-glare illumination with superior color accuracy.

Features & Benefits

- Robust die-cast aluminum body; superior to standard pressed aluminum; ideal for heavy-duty outdoor use.
- Customizable cut-to-size stainless steel plate; detachable light bar for effortless installation.
- Downward glare-free LED lighting; high CRI of 90 for accurate color representation.
- Energy-saving 1.5W LED technology; bright as 10W incandescent; reduces power costs.
- IP65 waterproof rating; reliable performance in wet conditions; suited for diverse landscapes.

Centripeta Hardscape & Step Light - 12" Grante

SJ1HSL-3W12IN27 / SJ1HSL-3W12IN50



Specifications

Wattage: 3W

Voltage: 12V AC/DC

Luminous Flux: 210lm

Beam Angle: 60°

Color Rendering Index (CRI): >90

Lifespan: 40,000 Hours

Light Source: LED

Color Temperature (CCT): 2700K/5000K (two models)

Waterproof Rating: IP65

Operating Temperature: -4°F to 122°F

Material: Die-casted aluminum



Standard Finish



Product description

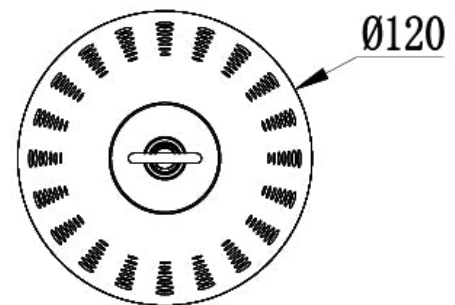
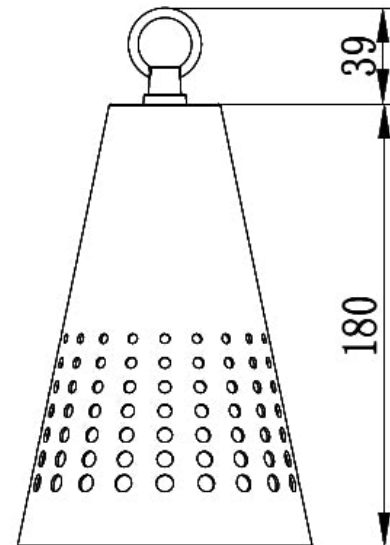
The LEONLITE Classic Series offers enduring landscape lighting with its die-cast aluminum body, outlasting softer pressed aluminum options. Ideal for accenting retaining walls or as versatile paver lights, they ensure consistent, low-glare illumination with superior color accuracy.

Features & Benefits

- Robust die-cast aluminum body; superior to standard pressed aluminum; ideal for heavy-duty outdoor use.
- Customizable cut-to-size stainless steel plate; detachable light bar for effortless installation.
- Downward glare-free LED lighting; high CRI of 90 for accurate color representation.
- Energy-saving 3W LED technology; bright as 20W incandescent; reduces power costs.
- IP65 waterproof rating; reliable performance in wet conditions; suited for diverse landscapes.

Tiki Outdoor Pendant & Patio Light

SJ15PLLO-CODL5N22



Specifications

Wattage: 5W

Voltage: 12-36V AC/DC

Luminous Flux: 400LM

Beam Angle: 60°

Color Rendering Index (CRI): 80

Lifespan: 50,000 Hours

Light Source: LED

Color Temperature (CCT): 2200K

Waterproof Rating: IP65

Operating Temperature: -13°F-131°F

Material: Aluminum + Iron



Standard Finish



Product description

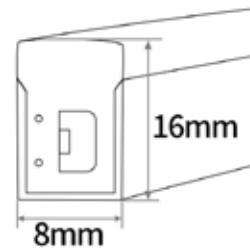
With their efficient LED lighting and distinctive shade design, LEONLITE's Pendant Lights ensure a broad, textured glow, offering an ambient solution for tree, gazebo, or pergola installations.

Features & Benefits

- Enhanced illumination, openwork shade, wider light spread, textured ambiance.
- IP65 waterproof, durable in all weathers, reliable outdoor use.
- Low voltage efficiency, broad compatibility, minimal energy use.
- Versatile installation, ideal for gazebos, pergolas, tree or eave mounting.

Pro Neon Rope Light

SB8STPK120V-0916



Specifications

Wattage: 115.32W, 7.68W/3.3ft

Voltage: AC 120V

Luminous Flux: 700lm(White Light)

Beam Angle: 160°

Color Rendering Index (CRI): N/A

Lifespan: 50,000 Hours

Light Source: LED

Color Temperature (CCT): White/Green/Blue/Red/Amber/Warm White/Pink - 7 specifications

Waterproof Rating: IP65

Operating Temperature: -31°F to 95°F (-35°C to 35°C)

Material: PVC



Standard Finish

PVC

Product description

Durable and waterproof, these 50ft neon rope lights are perfect for outdoor ambiance, easily linkable up to 150ft. High-voltage, plug-and-play convenience allows for seamless installation along walls, under bushes, and around flower beds for edge outlining and mood lighting.

Features & Benefits

- IP67 waterproof: Outdoor resilience.
- Easy plug-and-play, 120V: Quick setup.
- Linkable, 150ft max: Flexible extension.
- Mounting kit included: Hassle-free installation.
- Uniform illumination: No dark spots.
- Seven distinct models: Unique color each.
- Soft, safe PVC: Durable, UV-free.
- Efficient 5A rectifier: Reliable operation.

