



WARRANTY & RATING



SPECIFICATIONS

- Wattage: 20W
- Voltage: 100-277V
- Luminous Flux: 1800lm
- Beam Angle: 100°
- Color Rendering Index (CRI): 80+
- Lifespan: 50,000 Hours
- Light Source: LED
- Color Temperature (CCT): 3000K/5000K models selectable
- Waterproof Rating: Wet location
- Operating Temperature: -20°C to 40°C (-4°F to 104°F)
- Material: Die-cast aluminum

PRODUCT DESCRIPTION

Our security light series, designed to replace traditional metal-halide fixtures, offers enhanced durability and maintenance-free operation with integrated LEDs that are sealed against moisture, dirt, and insects. Ideal for lighting driveways, entryways, and patios, these lights ensure robust, energy-efficient security. This model features Dual-Heads for enhanced coverage, with built-in motion detection and dusk-to-dawn sensors, plus manual light control for tailored security.

FEATURES & BENEFITS

- Certified by ETL, ensuring safety and compliance
- Dual 360° adjustable heads for flexible, extensive coverage
- Motion Sensor Mode: Deactivates during daylight, activates with motion at night, with options to customize activation duration and sensitivity range (detects up to 59ft, 180° angle).
- Dusk to Dawn Mode: Automatically illuminates in low light conditions and turns off in bright light, with an adjustable light sensitivity setting.

POWER AND ELECTRICAL FEATURES

- The product is ETL certified, operates at a voltage of 100-277V 50/60Hz, compatible with 277V for U.S. commercial voltage. It uses a current of 0.16A and has a total power of 20W. The luminous flux is 1800 lumens, approximately equivalent to a 150W incandescent lamp.
- The wiring is made of tinned copper with an exposed length greater than 6.29 inches. The wire gauge is 18AWG1015 certified by SJTW UL.
- The power supply scheme is non-isolated.

DESIGN AND STRUCTURE

- **Motion Sensor Mode:** With the range set to maximum and lux to full, the light activates upon detecting motion regardless of the time of day, remaining on for the duration specified by the time setting. If the lux is at the minimum setting, the sensor will indicate detection during daylight with a flash but will not turn on the main light. At night, the light will illuminate when motion is detected and will turn off after the time delay set.
- **Dusk to Dawn Mode:** With the lux dial at the lowest setting, the light will stay on in a low-light environment (5-50 lux) and will turn off when ambient light reaches higher levels (35-400 lux) after a set time delay, operating independently of motion.

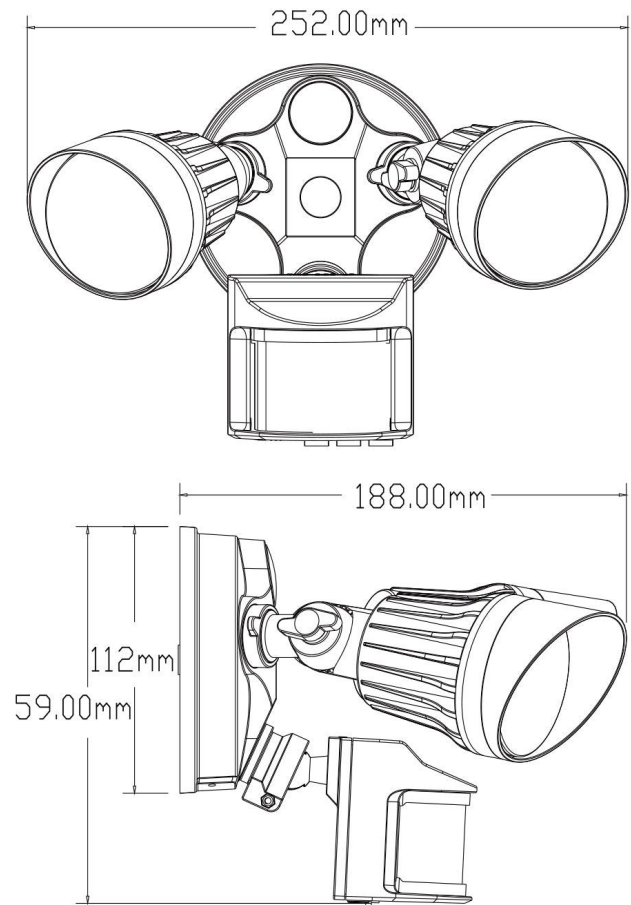
ADDITIONAL COMPONENTS

- Mounting Bracket
- P3 Threaded Terminal
- American Standard Long Screw
- American Standard Short Screw
- Green Grounding Screw
- Large Long Shank Screw
- Rubber End Cap
- Waterproof Screw Gasket
- EVA Foam Dust Seal

LED AND OPTICAL PERFORMANCE

- The LEDs use COB technology with two units, each sized at 13×13 mm. Each LED operates at 10W with a current of 240mA. The light efficiency is 90 lumens per watt. The color temperatures available are 3000K or 5000K. The color rendering index (CRI) is greater than 80.

PRODUCT DIAGRAM



Size in mm
 1" = 25.4mm.