

Eye Washer SS-B100

Wall Mounted Eye Washer, Stainless Steel, Model: SS-B100



M339670922

Features:

Controlled, low velocity flow and uninterrupted water supply at 3gpm
Deliver 11L of water per minute
Valve actuator are easy to locate and readily accessible to user
Handsfree stay open valve activate within one second

Supply: 1/2" NPT male inlet

Waste: 1-1/4" NPT female outlet

Spray Head Assembly: Two spray heads, each head has a dust cover, internal flow control, and filter to remove impurities from water flow

Bowl: 11-1/2" diameter stainless steel bowl

Valve: 1/2" stainless steel stay-open ball valve

Standard:

EN 15154-1:2006

EN 15154-2:2006

Packing:

1 piece / packet

1 packet / carton

Carton Dimensions:

52 x 30 x 28 cms

Carton Weight:

Gross Weight: 4.5 kgs. / carton

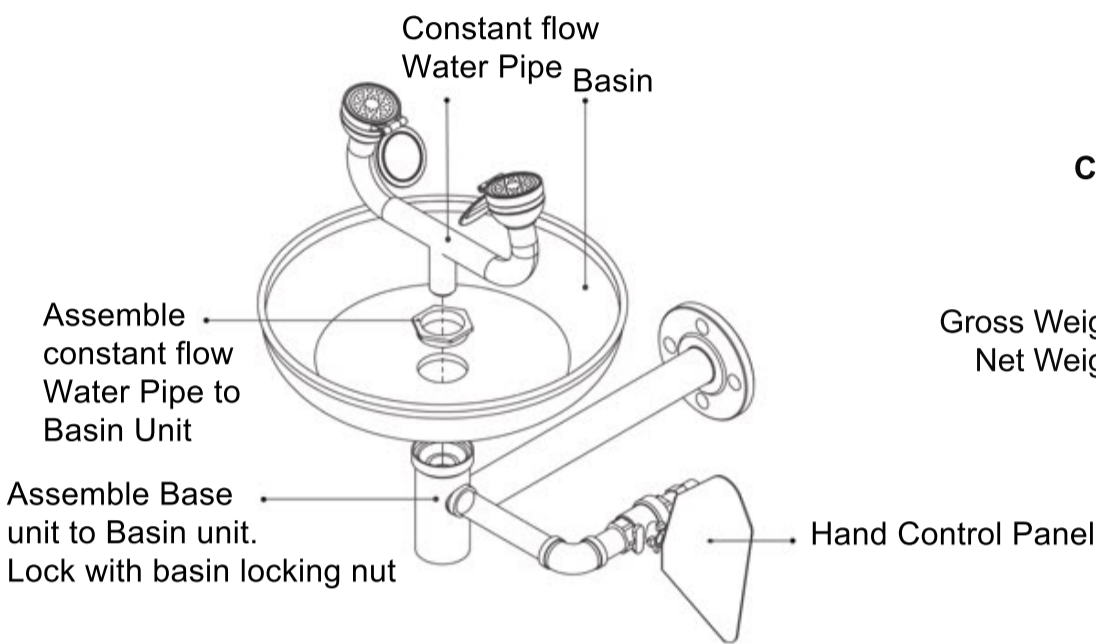
Net Weight: 3.7 kgs. / carton

Volume:

CBM 0.0437

Origin:

China



Applications:

Where the eyes and face of any person may be exposed to injurious or corrosive materials, suitable facilities for quick flushing of the eyes & face must be provided within the work area for immediate emergency use



Eye Washer SS-B100

Wall Mounted Eye Washer, Stainless Steel, Model: SS-B100

Assembly & Design Specifications

