

Portable Eye Washer P100

16-Gallons, Portable Type Eye Washer, Model: P100



Features:

Self-contained 16-gallon gravity flow eyewash unit uses gravity to deliver water through dual spray heads. Delivers over seven gallons (26L) of water for 15 minutes.

Tank: 16gallon capacity safety yellow polyethylene tank, handles on top and side for easy handling

Operation: Water flow is activated by pulling down the yellow eyewash tray. Integral full flow nozzles deliver soft spray of water

Drain: Wastewater is directed into the drain opening in tank basin, 3ft long drain hose in basin directs discharge into a floor drain storage tank, or other receptors

Mounting: Stainless steel bracket for a mounting unit on the wall

Discharge time: 15 minutes (minimum) at the flow rate of 1.5L/minute (minimum)

Standard:
EN 15154-4:2009

Packing:
1 piece / packet
1 packet / carton

Carton Dimensions:
55 x 52.5 x 60 cms

Carton Weight:
Gross Weight: 10.5 kgs. / carton
Net Weight: 7.8 kgs. / carton

Volume:
CBM 0.1733

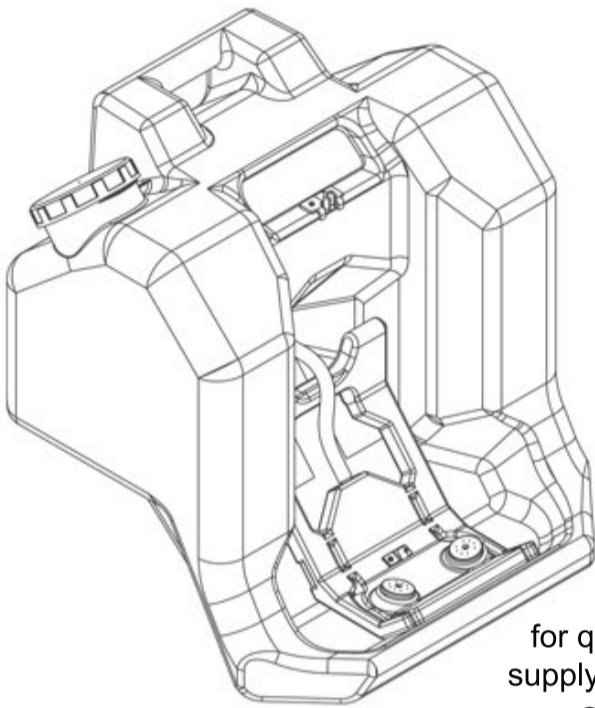
Origin:
China

Applications:

Where the eyes of any person may be exposed to injurious or corrosive materials, when suitable facilities for quick flushing of eyes needs to be provided & continuous supply of water is not available. Although it may be installed in a wide variety of locations, it is ideal for the remote & low traffic areas where protective measures are still needed



M339670820



Portable Eye Washer P100

16-Gallons, Portable Type Eye Washer, Model: P100

Assembly & Design Specifications

