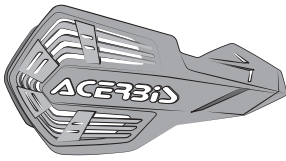


X-FUTURE HANDGUARD PARAMANO X-FUTURE

COD. 500008898

ACERBIS PARTS



E - (2 PCS)



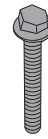
AL - (1 PCS)



AR - (1 PCS)



B - (4 PCS)

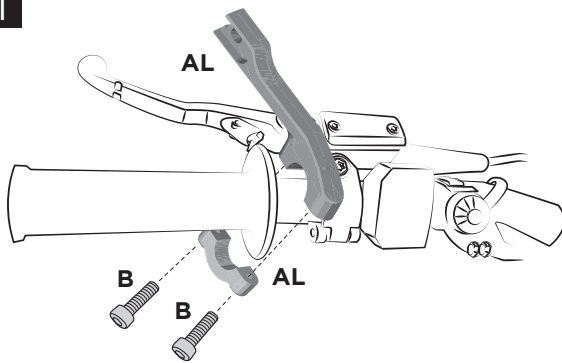


C - (2 PCS)



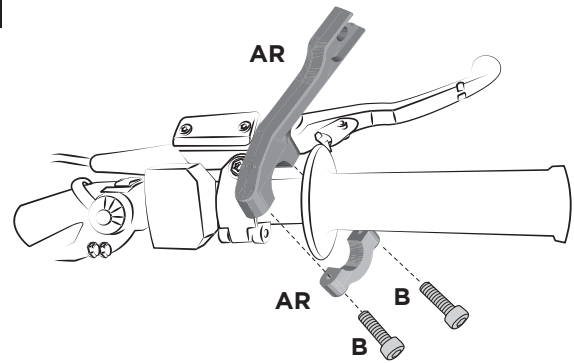
D - (2 PCS)

1



Attach the left side bracket (AL) to the handlebar using the screws (B).
Assemblare il bracciale sinistro (AL) al manubrio attraverso le viti (B).

2



Repeat the process with the right side bracket (AR). The mounts should extend over the top of levers.
Ripetere il processo con il bracciale destro (AR).

3

1



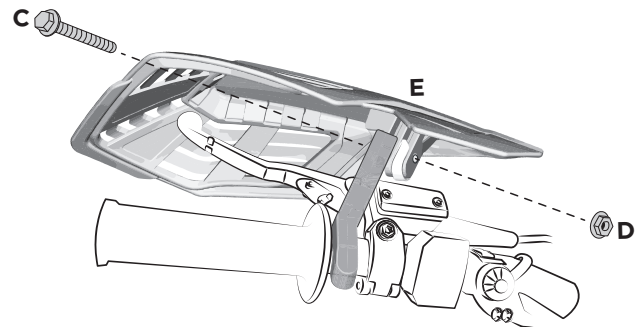
2



Depending on your mounting location on the bars, attach the covers to the brackets using the internal or external mounting points.

Scegliere dove posizionare il paramano:
Posizione 1 - paramano più esterno
Posizione 2 - paramano più interno

4



Fix the cover (E) to the bracket using the screw (C) and the nut (D). Check that the screws (B) are fully tightened.
Fissare la cover (E) al bracciale attraverso la vite (C) e il dado (D).
Controllare che le viti (B) siano completamente avvitate.

WARNING!

Follow mounting instruction exactly. Ensure that the mounting is secured before riding. These handguards will not prevent injury in the event of a crash. They are designed to protect the hands from cold weather. Be sure that you follow the instructions for mounting the handguards. Do not ride with a broken tie wrap. Check that the throttle and other controls are free every time you ride. Failure to heed instruction and this warning could lead to interference with the controls, loss of control of the motorcycle, and accidents. Acerbis recommends that installation must be done by a licensed mechanic and that only Acerbis' original parts are used during installation. Acerbis makes no guarantees or representations, express or implied, regarding the fitment of its product for any particular purpose. Acerbis makes no guarantees or representations, express or implied, regarding the extent to which its products protect individuals or property from injury or death or damage.

EUROPE

ACERBIS ITALIA S.P.A.
VIA SERIO, 37
24021 ALBINO (BG)
ITALY

U.S.A.

ACERBIS U.S.A. INC.
MAIL P.O. BOX 2030
SUN VALLEY, ID 83353
SHIP 110 LINDAY CIRCLE
KETCHUM, ID 83340
U.S.A.

UNITED KINGDOM

ACERBIS U.K LTD
UNIT 4 DUNFERMLINE COURT,
KINGSTON, MILTON KEYNES
MK10 0BY
GREAT BRITAIN