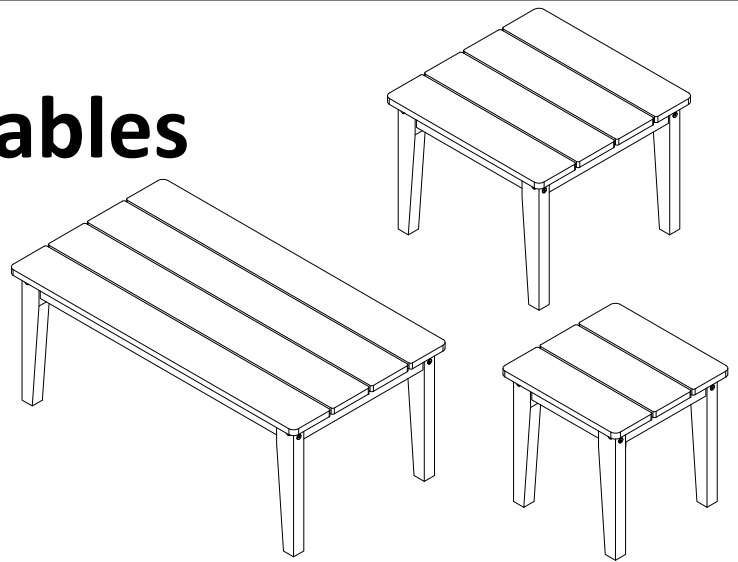


Cape Collection

Side/Conversation Tables

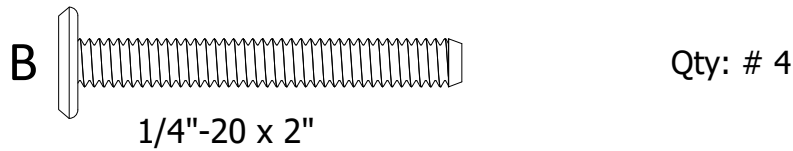
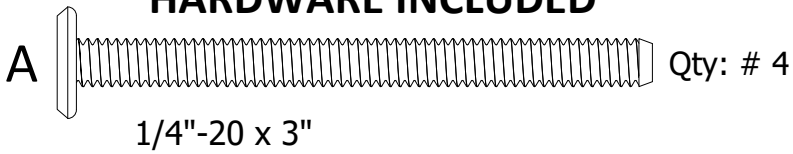
Assembly Guide



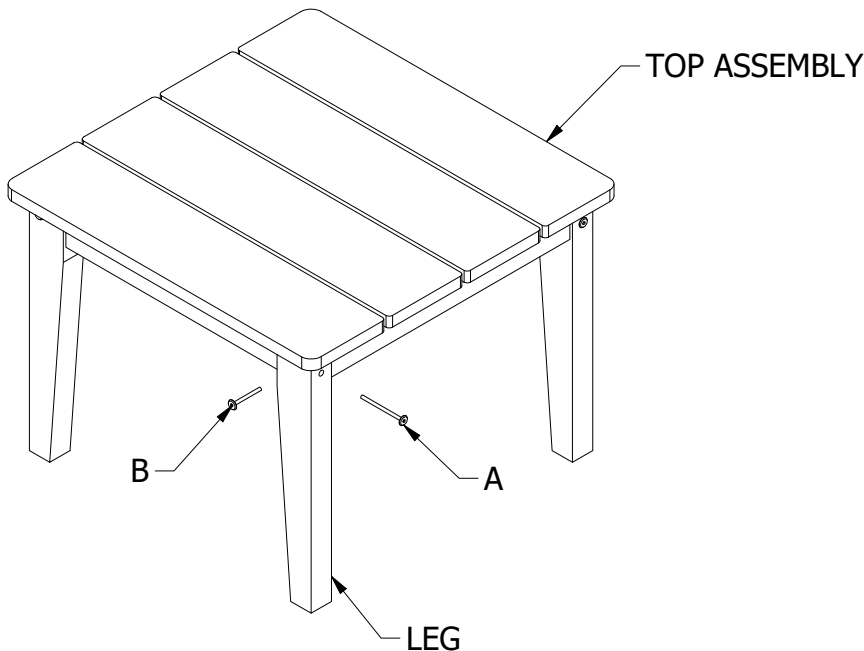
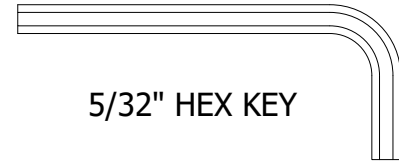
IMPORTANT!

DO NOT fully tighten the bolts until all bolts are started. Once all bolts are inserted, go back & tighten all the bolts.

HARDWARE INCLUDED



TOOLS INCLUDED



- 1) Attach leg to table top using (1) A bolt and (1) B bolt in the positions shown to the right.
- 2) Repeat for remaining (3) legs.