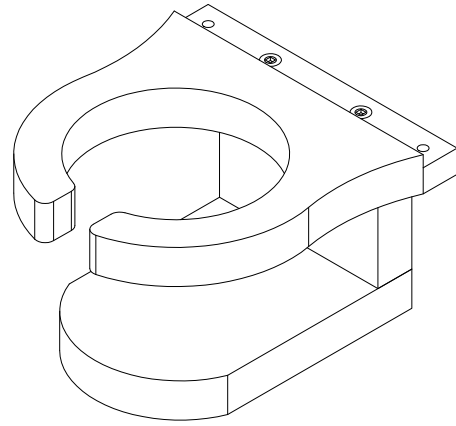


Cape Collection

Easy Add Cup Holder

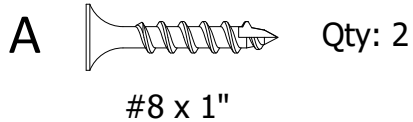
Assembly Guide



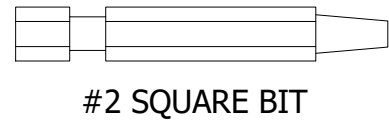
IMPORTANT!

DO NOT fully tighten the bolts until all bolts are started.
Once all bolts are inserted, go back & tighten all the bolts.

HARDWARE INCLUDED



TOOLS INCLUDED



CUSTOMER SUPPLIED TOOLS

Cordless screwdriver/drill OR
Multi-bit handle for the Square Bit

STEP 1

With the chair turned over, attach the Cup Holder to the arm of the chair using (2) A screws.

(The Cup Holder can be installed on either arm.)

