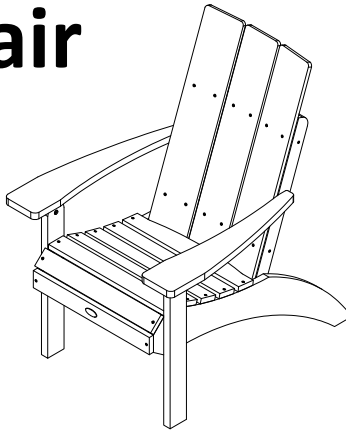


Corolla Comfort Height Adirondack Chair

Assembly Guide



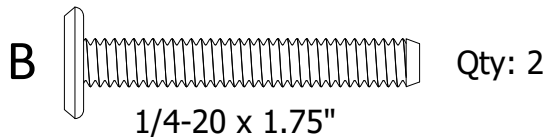
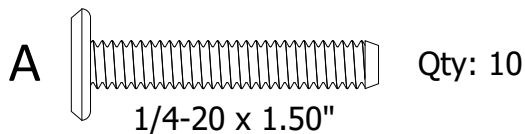
Scan for
Assembly
Video!



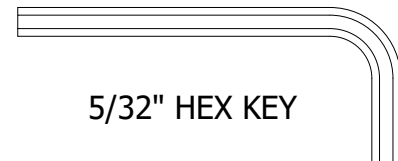
BV-CHRADC2

*Actual Style May Vary from
the One Pictured in this Guide

HARDWARE INCLUDED

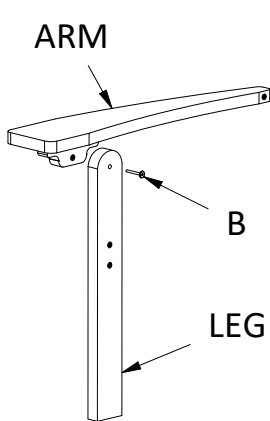


TOOLS INCLUDED



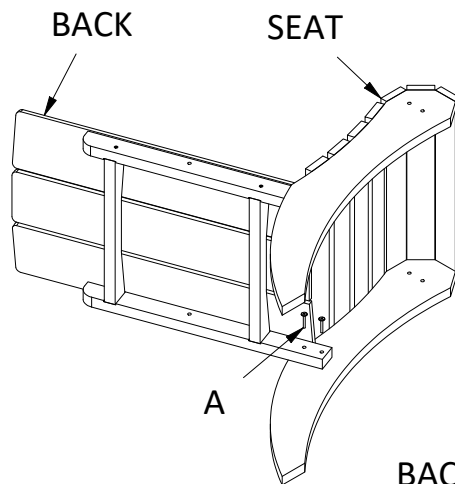
IMPORTANT!

DO NOT fully tighten bolts until all bolts are started.



STEPS 1-2

Attach one Leg to an Arm using (1) B bolt. Repeat on other Arm/Leg.

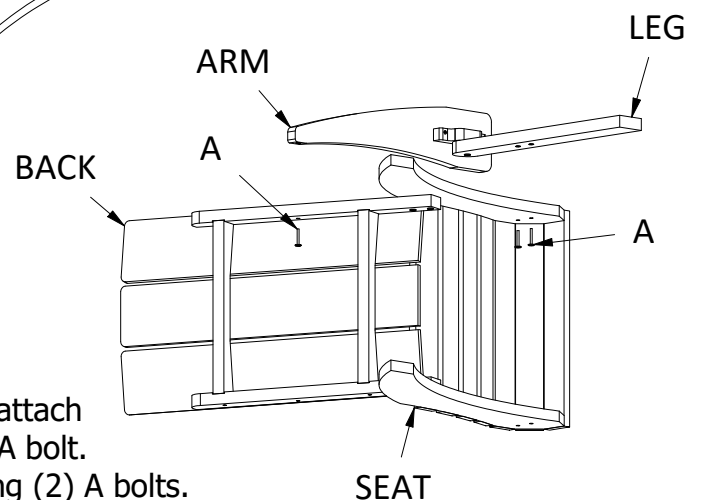


STEPS 5-6-7

With the chair still on its side, attach the Back to the Arm using (1) A bolt. Attach the Seat to the Leg using (2) A bolts. Repeat on other side.

STEPS 3-4

With the Back and Seat on their sides, attach one side of the Back to the Seat using (2) A bolts as shown. Repeat on other side.



For information on Care and Cleaning or to Register your Bahia Verde™ product, please visit www.bahiaverdeoutdoors.com.

HDK-0074

06.01.2023