

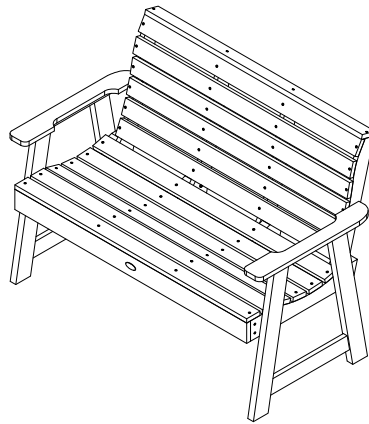
# Riverside Garden Bench

## Assembly Guide

Scan for  
Assembly  
Video!

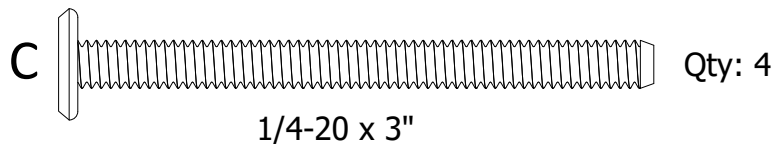
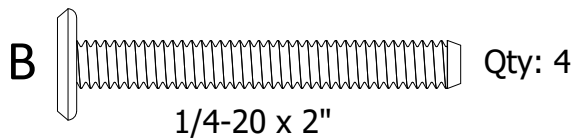
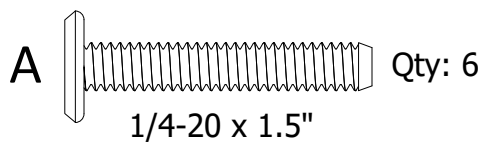


BV-BENW3  
BV-BENW4

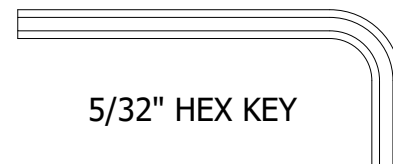


\*Actual Style May Vary from  
the One Pictured in this Guide

### HARDWARE INCLUDED

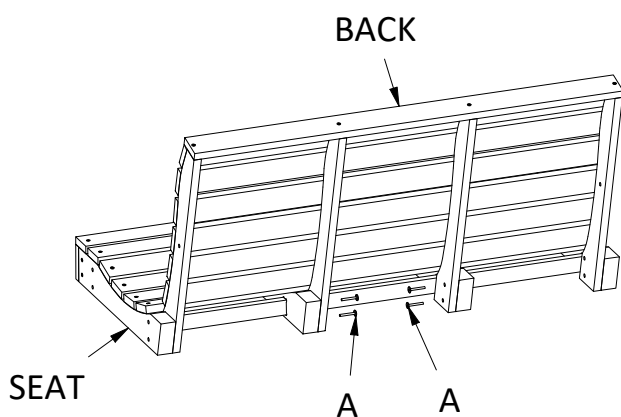


### TOOLS INCLUDED



### IMPORTANT!

DO NOT fully tighten bolts until all bolts are started.



#### STEP 1 BACK INNER

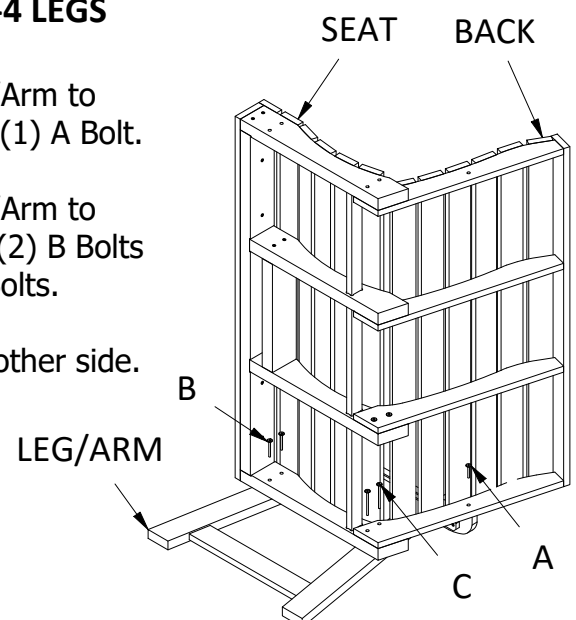
Attach Back to Seat  
using (2) A Bolts on each side.

#### STEPS 2-3-4 LEGS

Attach Leg/Arm to  
Back using (1) A Bolt.

Attach Leg/Arm to  
Seat using (2) B Bolts  
and (2) C Bolts.

Repeat on other side.



For information on Care and Cleaning or to Register your  
Bahia Verde™ product, please visit [www.bahiaverdeoutdoors.com](http://www.bahiaverdeoutdoors.com).

HDK-0069

02.21.2023