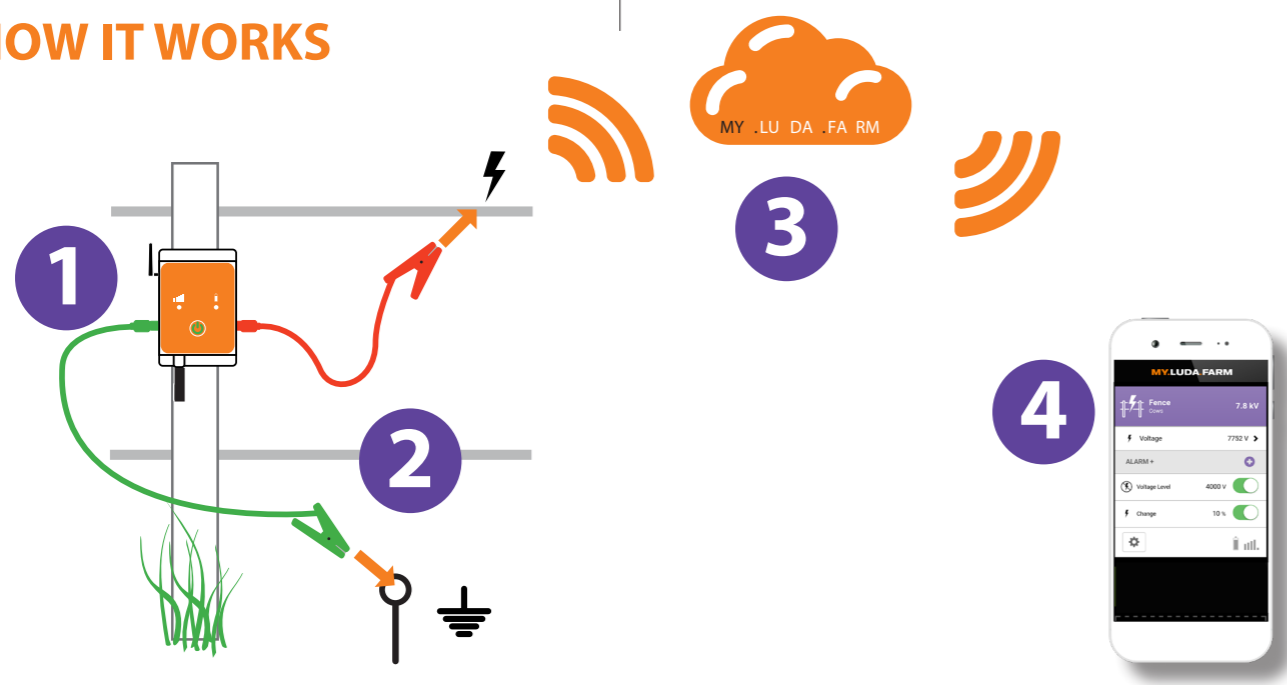




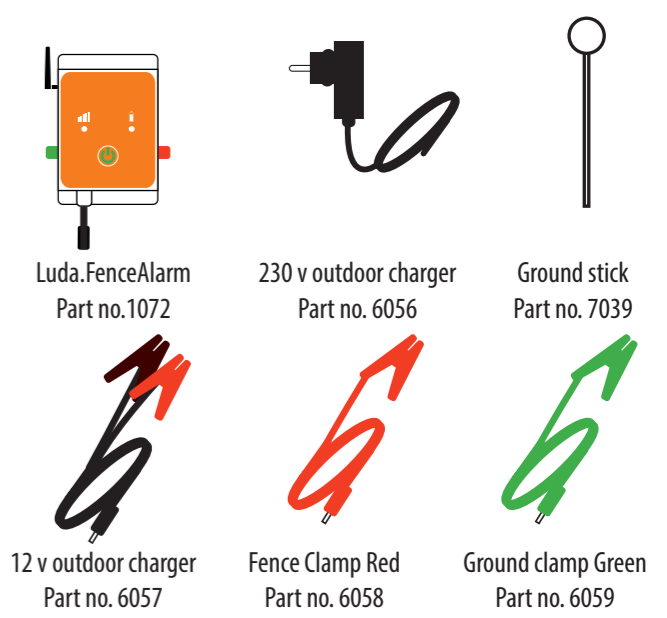
# HOW IT WORKS

Installation Guide



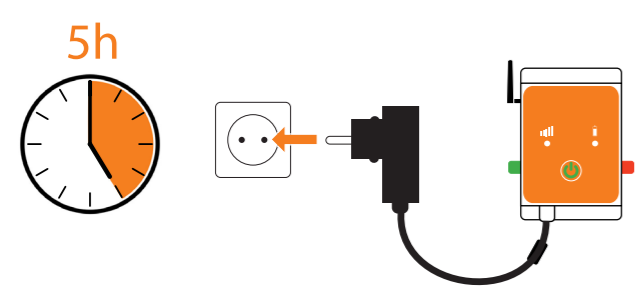
- 1 FenceAlarm can be connected anywhere on the fence. FenceAlarm runs 2 months on its built-in battery or can be powered continuously by 230 V / 12 V.
- 2 The voltage is measured by connecting the red fence clamp to the fence and the grounding is done through the ground stick.
- 3 The voltage level of the fence is communicated to My.Luda.Farm APP through the built-in SIM that uses the strongest available carrier (operator independent).
- 4 You are in control of the status of your fence in your phone without the need to drive to a remote location to manually check the level. With the option Alarm+ you get alarms if the fence voltage would go down and access to Fence Voltage Graph™

# INCLUDED IN THE BOX



# INSTALLATION

**A** **Before you start!**  
Connect the charger and charge the battery for 5 hours



**B** **SMARTPHONE**  
Get the **My.Luda.Farm** app from Appstore or Google play



**C** Open the app and follow the instructions.

**D** **PC/MAC**  
Go to <http://my.luda.farm> and follow the instructions

# TIPS

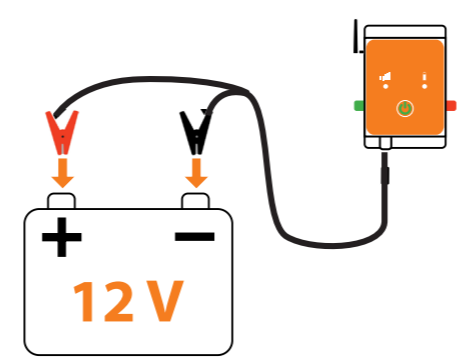
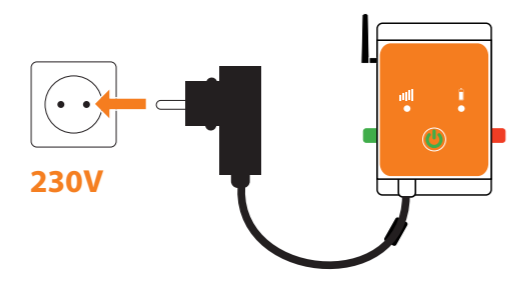
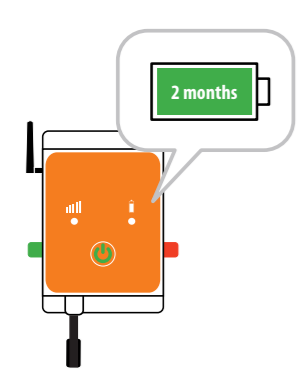
- If you mount your FenceAlarm close to your energizer you will be able to benefit from the existing grounding of your energizer as well as its power supply.
- If connected to continuous power supply (230V/12V) your FenceAlarm will check the status of the fence every 1 min. If running on its built-in battery, the unit will check the power status every 10 min to save battery.

# FUNCTIONALITY

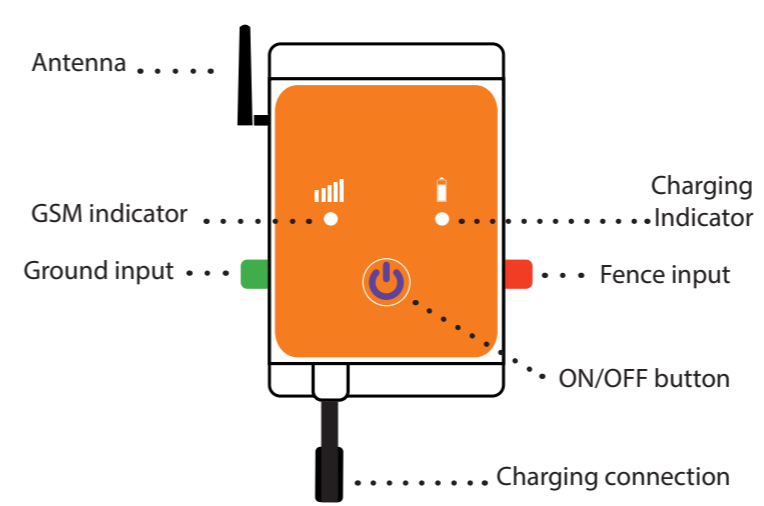
SUBSCRIPTION	FREE	ALARM +
Automatic alarms	-	✓
Unlimited alarm recipients	-	✓
Fence Voltage Graph	-	60 days
Status update frequency	Every 24 hours	At voltage change
Low battery alert	✓	✓
Price	0 €	60 € / year

# POWER OPTIONS

## BUILT IN BATTERY



# FUNCTIONS



# TECHNICAL SPECIFICATION

Electric Fence GSM Alarmer  
 GSM  
 Battery type (included) Rechargeble 18650 Li-ion 3.7V 3400 mAh  
 Power supply adapter AC 100-240V  
 Power input fence sensor DC 12 V 1A  
 IP Classification IP65  
 Voltage range 100 - 12 000 V  
 Voltage accuracy +/- 100 V.  
 Joule Max 15 joule  
 Operating temperature -20°C - +50°C  
 Storage temperature -40°C - +50°C  
 System requirements for APPs Android 4.1 or higher, iOS 6 or higher



Luda.Farm AB  
 Krokslätts Fabriker 30,  
 431 37 Mölndal - SWEDEN

# THE CONTROL PANEL FOR YOUR FARM – IN YOUR PHONE

READ MORE AT [WWW.LUDA.FARM](http://WWW.LUDA.FARM)



## Alarm +

- Automatic alarms
- Unlimited alarm recipients
- Fence Voltage Graph™
- Status update at voltage change

60 € / year

- With Alarm+ you get notified at low voltage through automatic alarms which can be sent to an unlimited number of recipients.
- With the Fence Voltage Graph™ you can easily see if the voltage drop is sudden (animals breaking the fence) or slow (grass growth), allowing you to make the right decision when you have to prioritize your time.
- Alarm+ is available as an optional service in My.Luda.Farm at 60 € / year or 10 € / month.

## Free

Status update every 24th hour

0 € / year

- Using Free you get the voltage level of your fence presented in the My.Luda.Farm app – the control panel of your farm. Current status is updated every 24:th hour.

Smart Plug



With Luda.SmartPlug, (sold as accessory), you can also turn ON/OFF the power to your fences wherever you are.