



**PROFESSIONAL WIRELESS
CAMERA SYSTEMS FOR
INDUSTRIAL USE**



CONTENT

MACHINECAM HD	MACHINECAM MOBILITY HD	FORKLIFTCAM
---------------	------------------------	-------------



Camera system
 Illustrations
 Measurements
 Technical specifications
 Included in the package



Camera system
 Illustrations
 Measurements
 PowerBank
 Technical specifications
 Included in the package

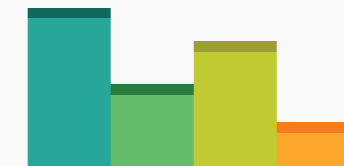


Camera system
 Illustrations
 Measurements
 PowerBank
 Technical specifications
 Included in the package

ACCESSORIES	COMPARISON CHART	GUIDES
-------------	------------------	--------



Extra camera
 PowerBanks
 Monitor stands
 Antennas
 Brackets



MachineCam HD
 ForkliftCam
 MachineCam Mobility HD



Quick start guides

MachineCam HD

Wireless HD system with extended pro features

With a range of up to 300 m, MachineCam HD was developed to perform without interference in the toughest of conditions. The robust and waterproof HD camera is IP69K rated and it's high-powered IR-system lights up approx. 10 meters in front of the camera.

The 7" monitor has a true format of 16:9, which shows the image exactly as it looks in reality. The system connects up to 4 cameras and has an auto-reverse camera switch. With the split-screen feature, you can view 2 cameras simultaneously. A paired camera and monitor will automatically reconnect whenever in range and powered on.



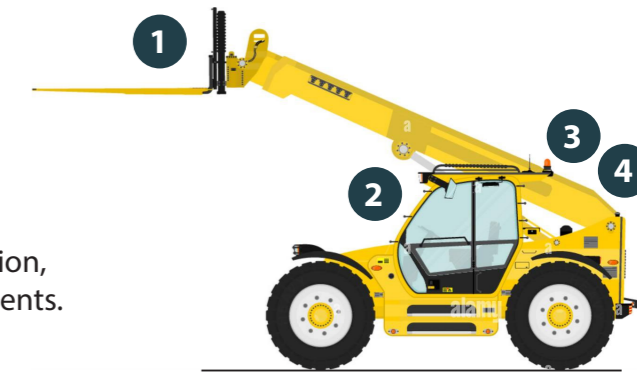
Included in the package

Article no. 1088



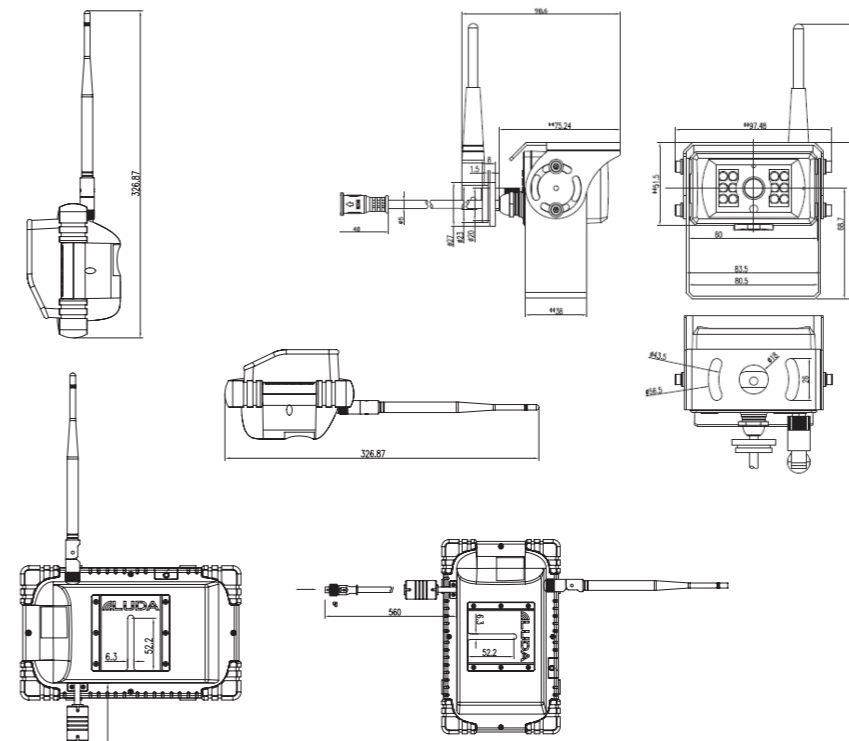
The camera can be used together with our PowerBanks, which allows you to move and place the camera where it captures the best view. Bolts and screws for attaching the camera is not included in the system.

The camera lens is equipped with two layers of glass protection, making it suitable for working in dusty and tough environments.



- 1. Camera
- 2. Monitor
- 3. Rear camera
- 4. PowerBank

TECHNICAL SPECIFICATIONS



- Operating frequency 2412-2467 MHz
- Auto reverse camera switch
- 4 channels
- 8G vibration
- Operating temperature -20 °C to +70 °C
- Loop functionality
- Up to 10 m night vision
- 100° camera angle
- 500cd/m² brightness
- Recording function
- 18 dBm output power

MachineCam Mobility HD

A unique camera system for all your machines

With up to 100 m transmitting range, MachineCam Mobility HD is an all-in-one solution that you can use for all your industrial machines. It has a unique mounting solution where the camera and battery are attached with magnets with 40 kg of holding force.

The 7" HD monitor is powered with a 12 V power socket and is attached to the machine with a strong suction bracket. The IP69K rated camera has 10 m night vision and you can connect two cameras to the system.

Included in the package

Article no. 1096



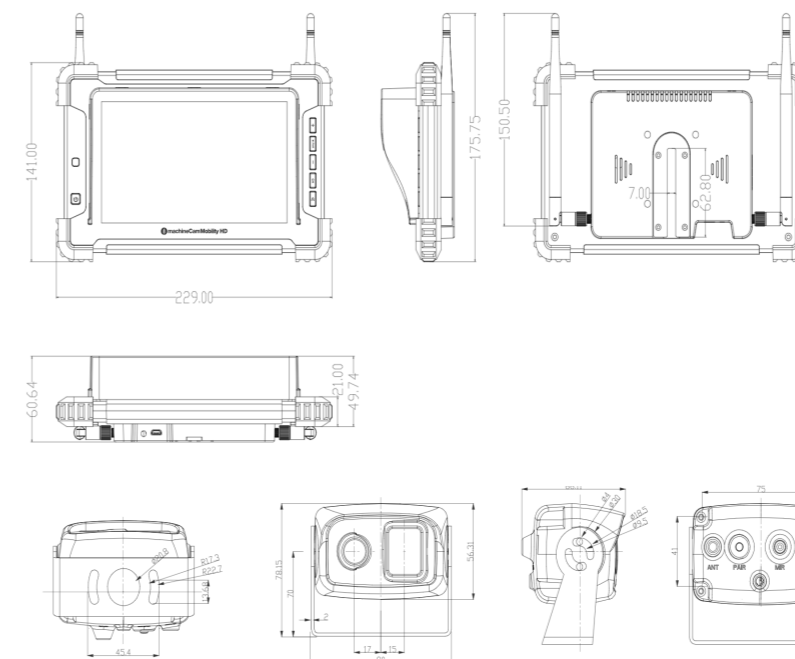
With the included PowerBank, you can use your camera system for up to 15 hours on a single charge. MachineCam Mobility HD also comes in a sturdy case that allows you to easily carry the camera with you. The camera lens is equipped with two layers of glass, making it suitable for working in dusty and tough environments.



1. Camera 2. Monitor
3. Rear camera



TECHNICAL SPECIFICATIONS



- Install or move the system in one minute
- Operating frequency 2400-2483.5 MHz
- Operating temperature -20 °C to +70 °C
- Up to 100 m wireless range
- 1024 x 600 resolution
- Up to 10 m night vision
- 8G vibration
- 110° angle of view
- 500 cd/m² brightness

ForkliftCam

Professional wireless fork camera system

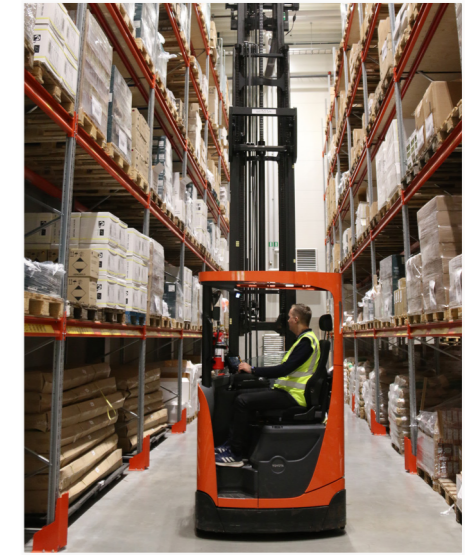
ForkliftCam was designed for daily usage in tough conditions. The robust combination of an IP69K camera, a shock-tolerant 7" monitor, and a PowerBank with 40 kg of holding force makes this kit perfect for use in industry, warehousing, and logistics.

The camera transmits a high-resolution and interference-free signal to the monitor for razor-sharp image quality. It is also equipped with LED lighting to keep the area around the fork tips visible even in dark conditions.



Included in the package

Article no. 1080



At full charge, the PowerBank will last for up to 32 hours of camera operation. This system can be supplemented with other vehicle cameras, such as a rear-view camera.

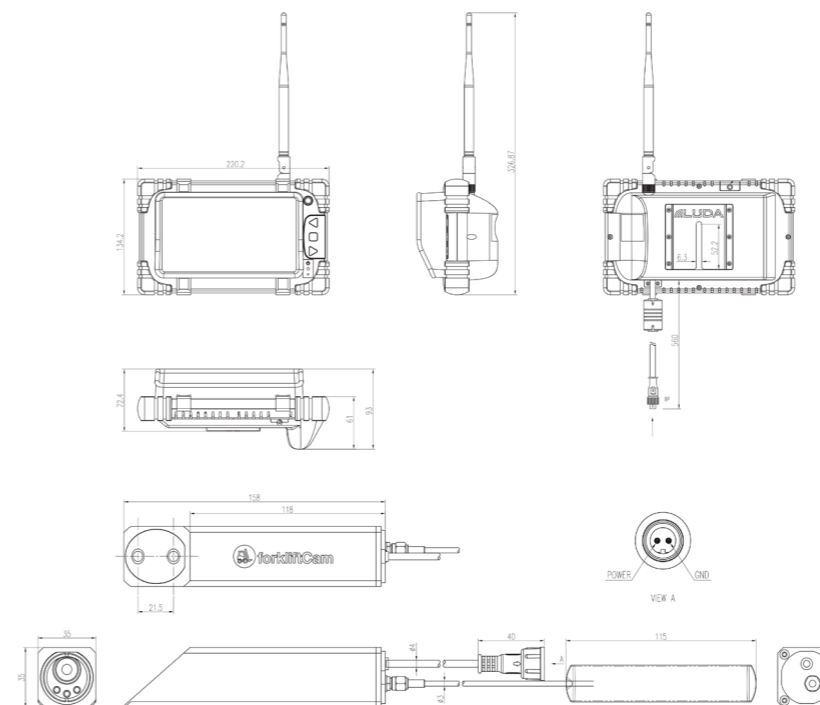
The picture of two cameras can be viewed simultaneously in the split-screen function of the monitor.



1. Camera 2. Monitor

TECHNICAL SPECIFICATIONS

- Installation done in 3-5 minutes
- Easy to disassemble or re-position
- Operating frequency 2400-2483.5 MHz
- Up to 50 m line-of-sight range
- 800 x 480 resolution
- Up to 10 m night vision
- 10G vibration
- 45° angle of view



COMPARISON CHART

Find the right camera system for your needs








	MachineCam HD	MachineCam Mobility HD	ForkliftCam
FEATURES			
Operating frequency	2412-2467 MHz	2400-2483.5 MHz	2400-2483.5 Mhz
Screen size	7"	7"	7"
Monitor resolution	1024 x 600	800 x 480	1024 x 600
Power supply camera	10-32 VDC	10-32 VDC	10-32 VDC
Power supply monitor	10-32 VDC	10-32 VDC	5-32 VDC
Max amount of cameras	4	4	2
IP rating camera	IP69K	IP69K	IP69K
IP rating monitor	IP30	IP30	IP30
Camera angle of view	110°	45°	110°
Night vision	15 m	No	10 m
Monitor brightness	500 cd/m ²	500 cd/m ²	500 cd/m ²
Vibration	8G	10G	8G
Antenna output	18 dBm	20 dBm	22 dBm
Max range line-of-sight	300 m	50 m	100 m
Visible LED illumination	No	Yes	No
IR LED illumination	Yes	No	Yes
Split screen function	Yes	Yes	Yes
Loop functionality	Yes	Yes	No
Recording function	Yes	Yes	No
Auto reverse function	Yes	No	No
Camera microphone	Yes	Yes	No
Monitor loudspeaker	Yes	Yes	No
Wireless delay	200 ms	120 ms	200 ms
WEIGHT AND MEASURES (for the complete system)			
Weight in kg	2.25	3.10	3.37
Measurements in mm	250 x 190 x 100	250 x 190 x 100	250 x 190 x 100

ACCESSORIES



MachineCam HD	MachineCam Mobility HD	ForkliftCam
 <p>Extra camera kit Article no. 1098</p>	 <p>Extra camera Article no. 1100</p>	 <p>Extra camera kit Article no. 1050</p>
	 <p>Suction bracket Article no. 7034</p>	 <p>Extra camera kit Article no. 1081</p>

GOES WITH ALL 3 MODELS

 <p>Magnetic antenna Article no. 5027</p>	 <p>PowerBank 25000 Article no. 1064</p>	 <p>Suction bracket Article no. 7020</p>
 <p>PowerBank 12000 Article no. 1119</p>	 <p>Fan shaped monitor stand Article no. 7022</p>	

QUICK START GUIDES



QR CODE FOR MACHINECAM HD
Scan the QR code to get access to the quick start guide.



QR CODE FOR FORKLIFTCAM
Scan the QR code to get access to the quick start guide.



QR CODE FOR MACHINECAM MOBILITY HD
Scan the QR code to get access to the quick start guide.

