

A PLACE IN THE GARDEN

SPEC SHEETS - VENETO WATER FEATURES

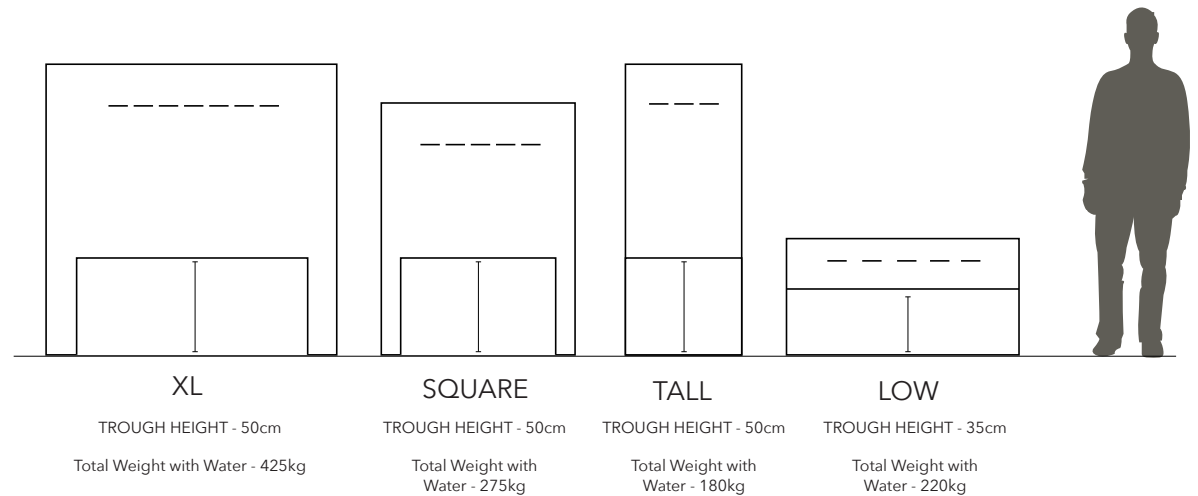


XL

Pump: Oase Aquarius Universal 6000
 Max Flow Rate: 6000 Litres per hour
 45W - 240 V
 Pump Power - 10m Cable from pump,
 no plug top.

Square, Tall & Low

Pump: Oase Aquarius Universal 3000
 Max Flow Rate: 3000 Litres per hour
 45W - 240 V
 Pump Power - 10m Cable from pump,
 no plug top.



Elegant and understated, this multi spout contemporary water feature would make a chic addition to any garden or urban space. This water feature is completely self contained, so you will not require a water supply to the feature. The Veneto works by recycling water from the catch reservoir and pumping it into the back reservoir. The Veneto Fountain is now available in four sizes and includes a built in submersible pump.

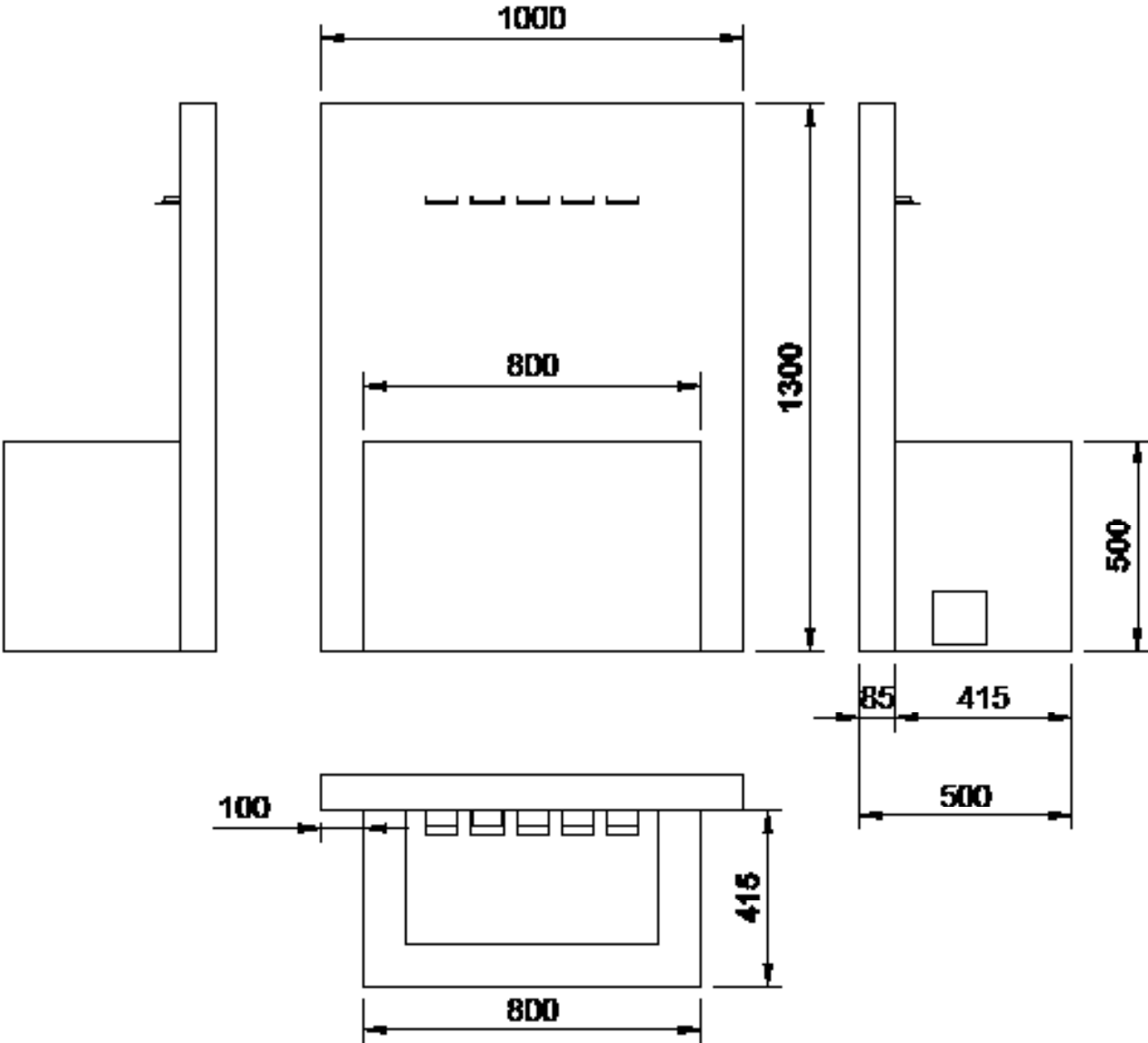
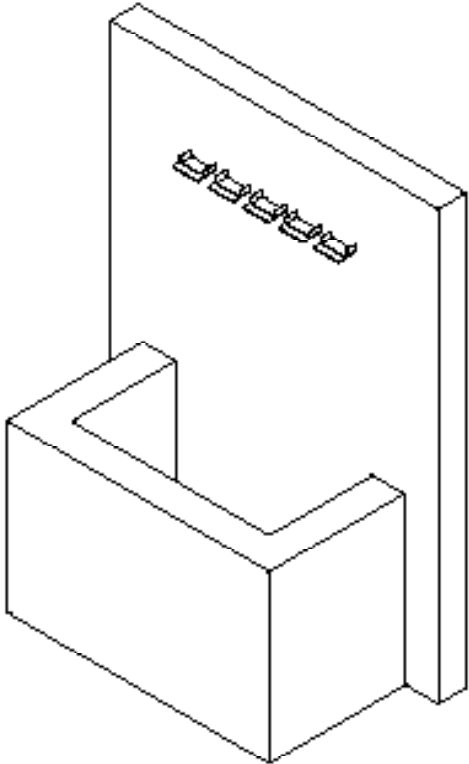
Veneto Low (Code: VEN120WF) // 120cm wide, 40cm deep and 70cm high // Weight 73kg.

Veneto Tall (Code: VEN60WF) // 60cm wide, 45cm deep and 150cm high // Weight 44kg.

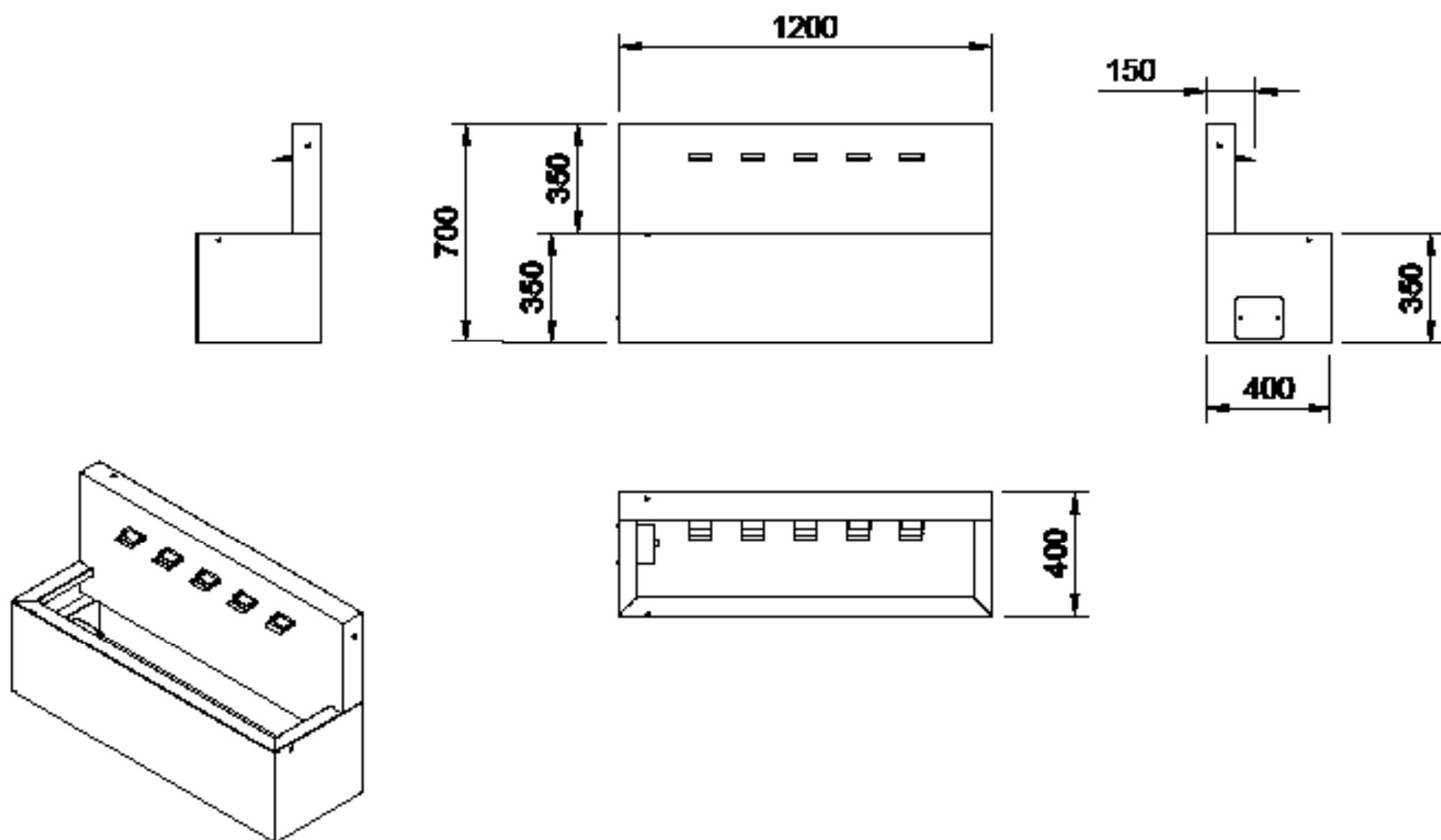
Veneto Square (Code: VEN130WF) // 100cm wide, 50cm deep and 130cm high // Weight 73kg.

Veneto XL (Code: VEN150WF) // 150cm wide, 55cm deep, 150cm high // Weight 117kg.

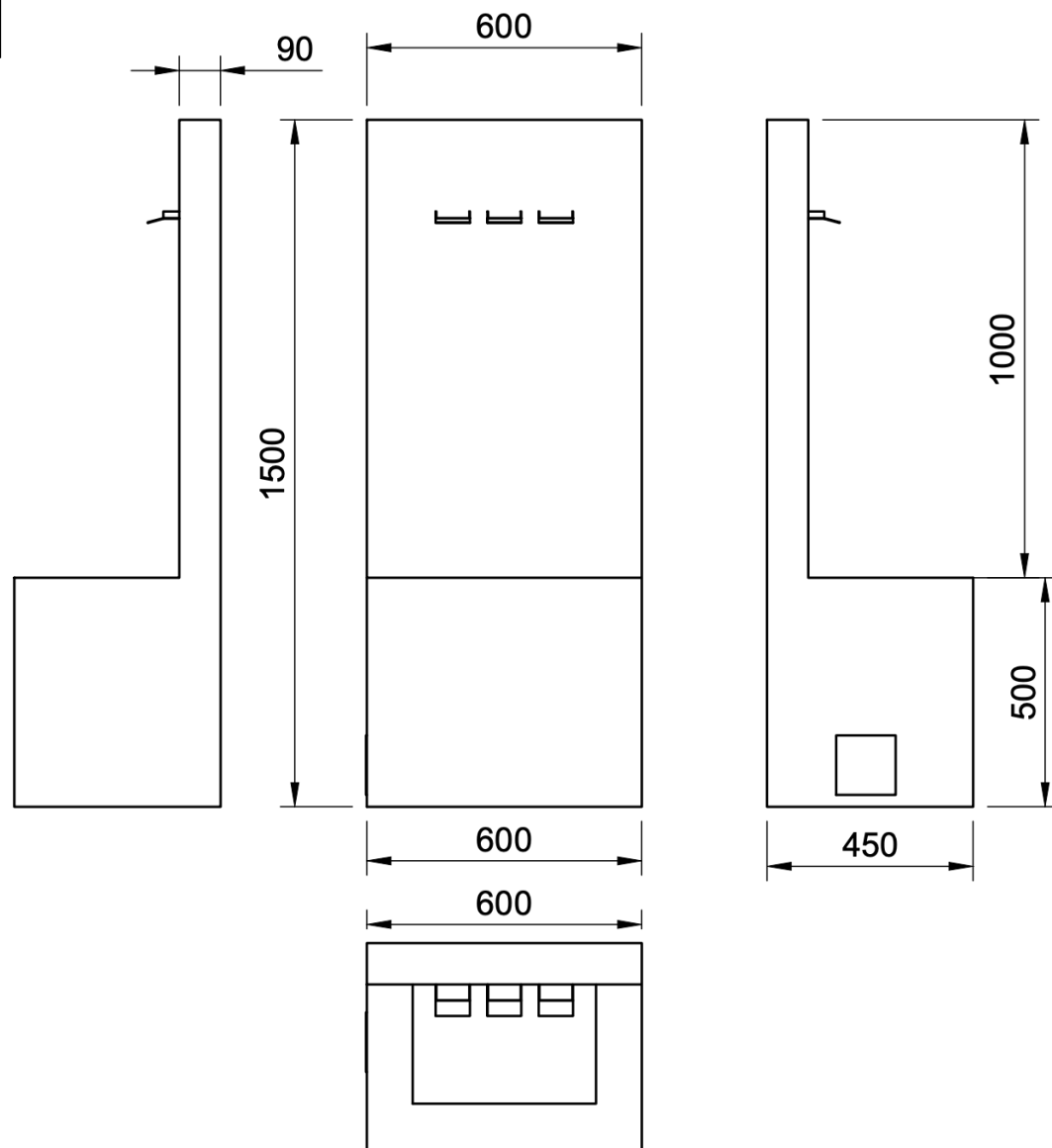
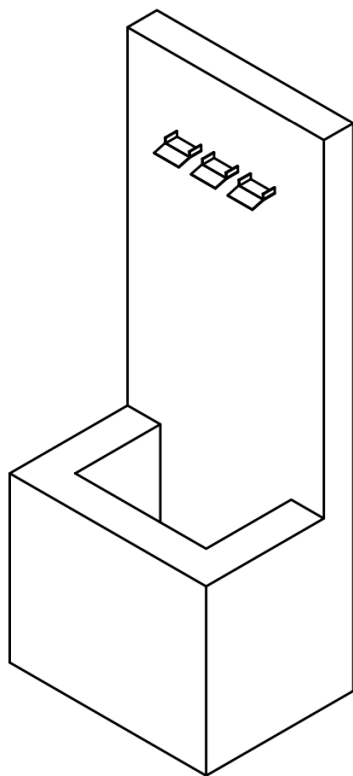
Veneto Square



Vento Low



Veneto Tall



Veneto XL

