

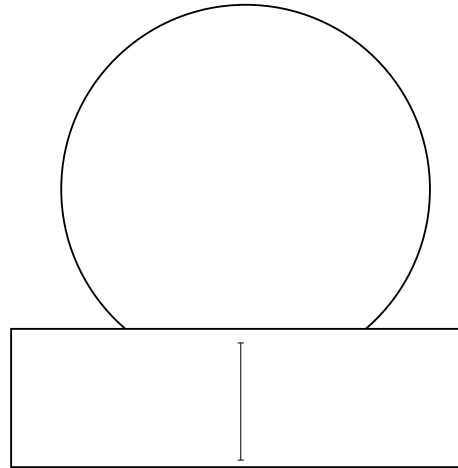
# A PLACE IN THE GARDEN

## SPEC SHEETS - LEAF BALL WATER FEATURES OCTAGONAL BASE



90cm

Pump: Oase Aquarius  
Universal 4000  
Max Flow Rate: 4000 Litres  
per hour // 45W - 240 V  
Pump Power - 10m Cable from  
pump, no plug top.



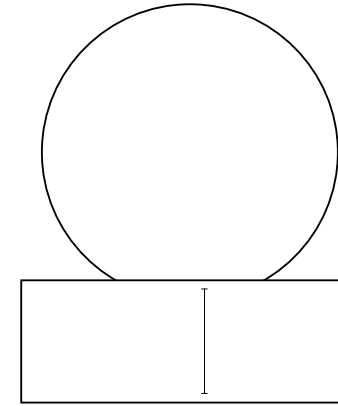
90cm

TROUGH HEIGHT - 35cm

Total Weight with Water - 600kg

70cm

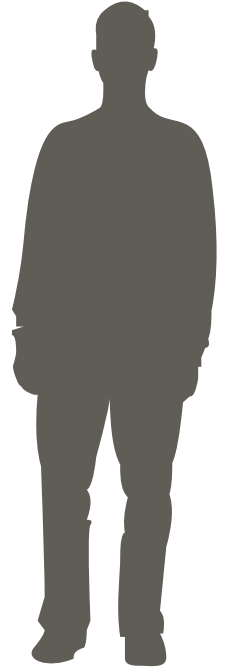
Pump: Oase Aquarius  
Universal 3000  
Max Flow Rate: 3000 Litres  
per hour // 45W - 240 V  
Pump Power - 10m Cable from  
pump, no plug top.



70cm

TROUGH HEIGHT - 30cm

Total Weight with Water - 400kg



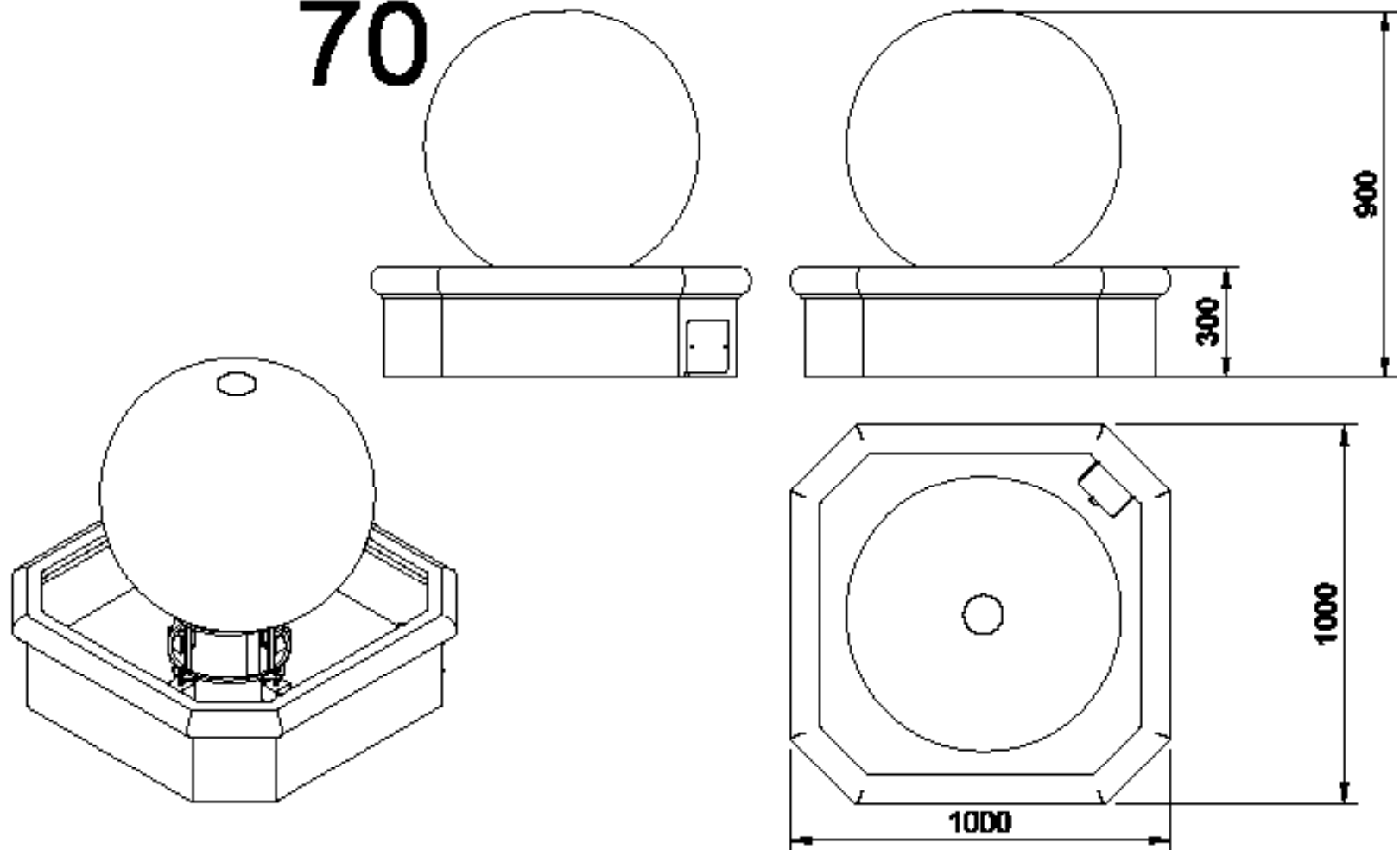
Inspired by our larger leaf Balls, the water gently tumbles in to a decorative pool where the water is recycled, creating a visual delight. This feature now is available in two ball sizes and with two base designs. The Octagonal Base has been designed for a more traditional feel and the Round base for a contemporary look.

LBWF90-01: 90cm Ball w/ Octagonal Base // 110 x 110 x 110cm high // Weight 105kg.

LBWF70-01: 70cm Ball w/ Octagonal Base // 100 x 100 x 85cm High // Weight 70kg.

# Leaf Ball Water Feature Octagonal

70



# Leaf Ball Water Feature Octagonal 90

