

# A PLACE IN THE GARDEN

## Blenheim Hanging Lamp Small

W: 27cm

D: 27cm

H: 38cm

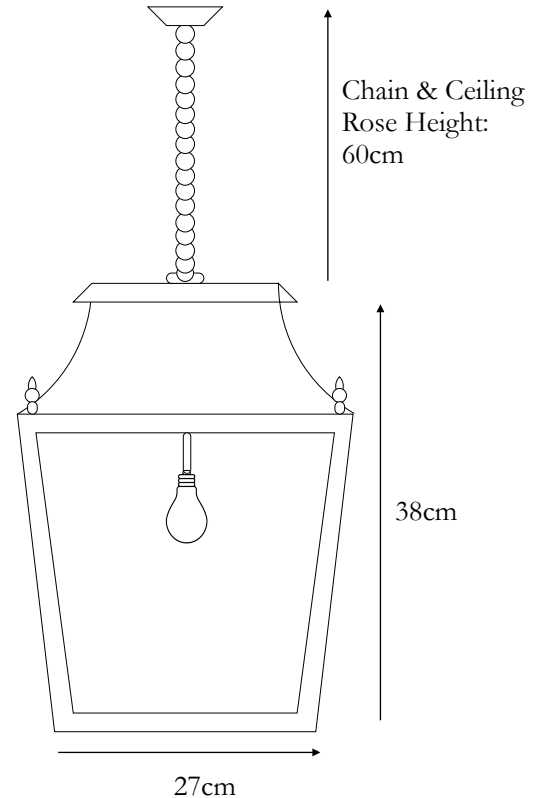
Weight: 6kg.

Code: BLEN-HL02



“The Stunning but simple Blenheim Hanging Lanterns, to match our Coach Lamps is now available in two sizes. The Blenheim Coach Lamp is Suitable for Entrance Porches and Covered Walkways. The lantern arrives with a Ceiling Hook, Mounting Plate, Ceiling Rose, Chain and a Vintage LED Bulb. These lanterns are IP23, so its not recommended for exposed outdoor use.”

Lamp Fitting: 1x E27 Edison Screw  
IP23 Rated  
Max 60W



# A PLACE IN THE GARDEN

## Blenheim Hanging Lamp Large

W: 35cm  
D: 35cm  
H: 46cm

Weight: 8kg.  
Code: BLEN-HL01



“The Stunning but simple Blenheim Hanging Lanterns, to match our Coach Lamps is now available in two sizes. The Blenheim Coach Lamp is Suitable for Entrance Porches and Covered Walkways. The lantern arrives with a Ceiling Hook, Mounting Plate, Ceiling Rose, Chain and a Vintage LED Bulb. These lanterns are IP23, so its not recommended for exposed outdoor use.”

Lamp Fitting: 1x E27 Edison Screw  
IP23 Rated  
Max 60W

