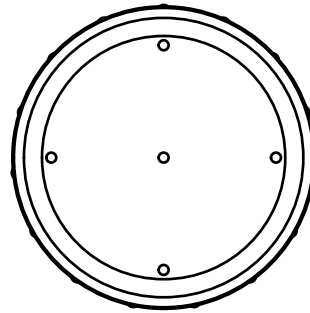
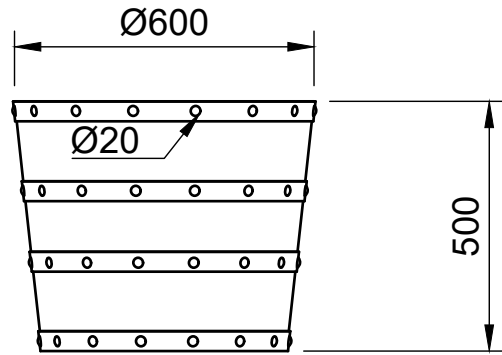


A PLACE IN THE GARDEN

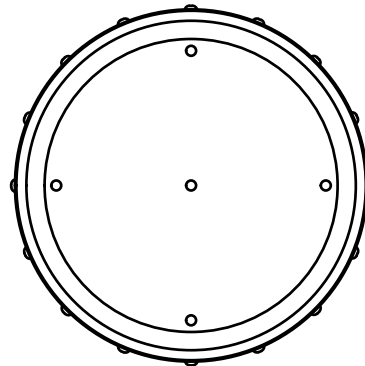
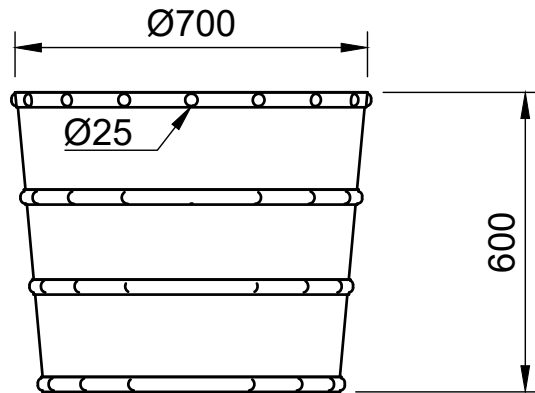
SPEC SHEETS - PORTO PLANTERS



S

The Porto are round, subtly tapered planters with decorative banding and studs. The Porto are available in 3 sizes with the common theme that all of the planters are wider than they are tall.

These circular planters look stunning when used to define entrances and staircases, also one of each size grouped in their descending height as a three can create a statement in your outdoor space.



M

Small - 60cm Dia. x 50cm H //

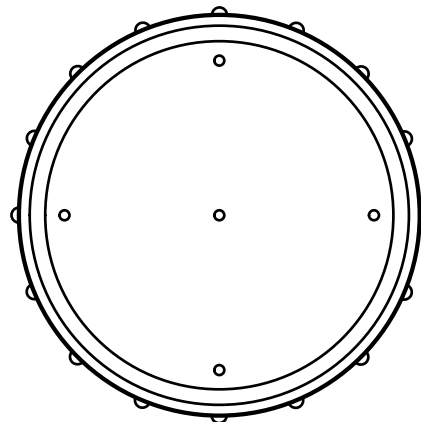
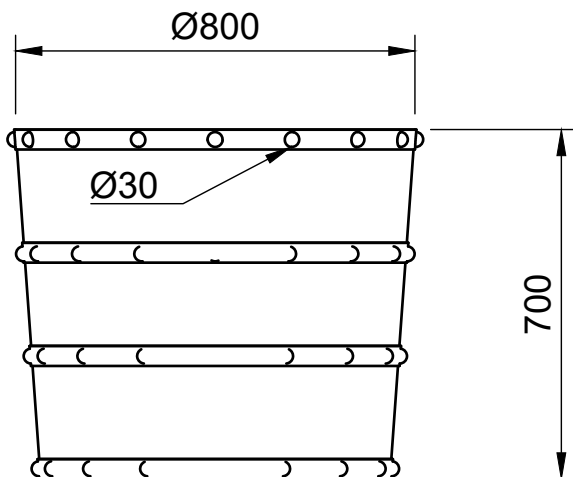
Internal Measurement: 56cm Dia // Weight: 23kg

Approx. Literage - 125L

Medium - 70cm Dia. x 60cm H //

Internal Measurements: 66cm Dia // Weight: 31kg

Approx. Literage - 205L



L

Large - 80cm Dia. x 70cm H //

Internal Measurements: 76cm Dia // Weight: 39kg

Approx. Literage - 315L