

VB7222

Carbon Lite™ Volleyball system
(Either in packages or components ordered separately)



Customer Service
(800) 247-7668

PARTS LIST					
Item	Qty	Description	Item	Qty	Description
A	2*	VB72 Carbon Standard	H	1	Winch
B	2	VB51P-XX Pole Padding	I	1	Attachment Screw
C	2	VB23-CV Floor Plates (If Applicable)	J	2	Nylon Net Collars
D	2	VB23 or VB235 Floor Sockets (If Applicable)	K	3	Carabineer
E	4	Cable Covers (If Applicable)	L	6	Rope Ratchet (Provided with Net)
F	1	VB1250K Net with Storage Bag	M	1	Positive Lock Pin
G	2	Volleyball Antennas (VB13)			

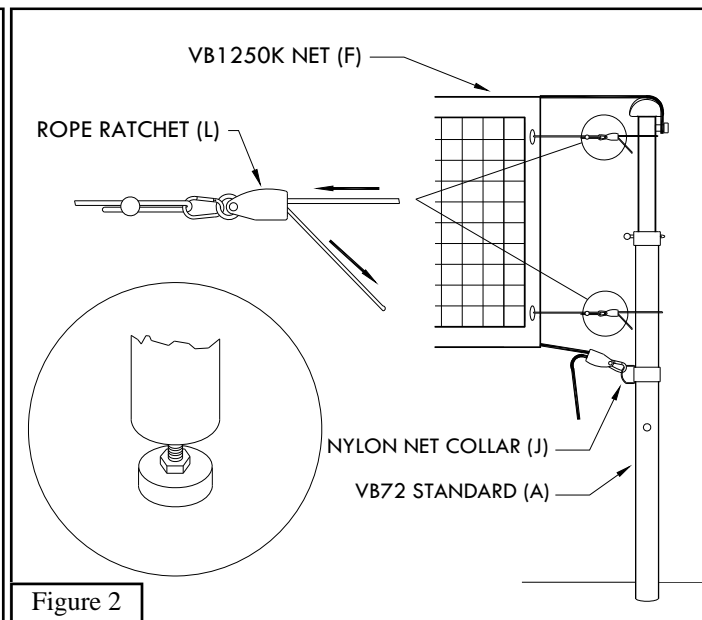
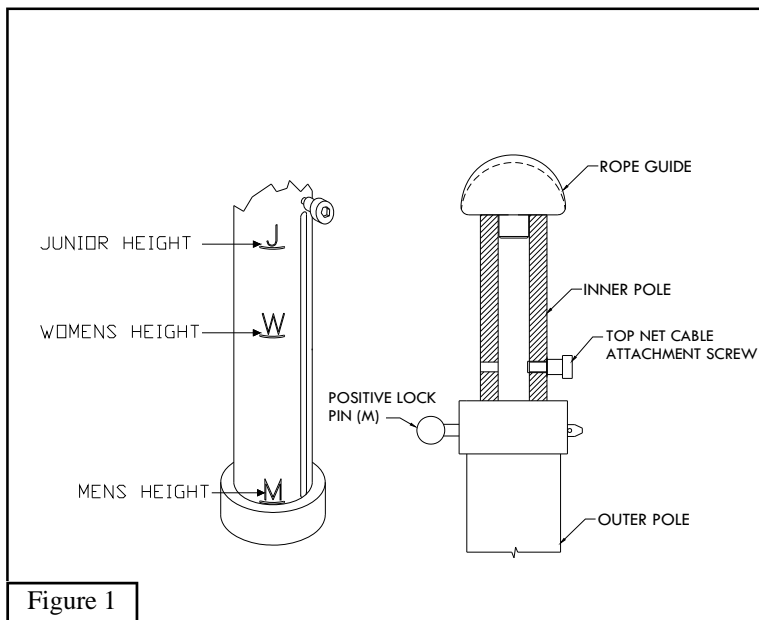
- ◆ Inspect all contents prior to installation. Report any missing parts to dealer immediately.
- ◆ **Read all instructions before proceeding!**

Initial Standard Height Adjustment

NOTE:

The Bison Carbon lite system has been designed to “set and play”, after initial set-up all net height guess work is eliminated. The inner pole has machined marks provided for men's, women's and junior's official height. The outer pole has an adjustable bottom foot factory pre-set for 10” floor sockets. Please read and follow the instructions below carefully to make fine tuning adjustments if needed.

1. Set *VB72 Standards (A)* into *Floor Sockets (D)*. Remove the *Positive Lock Pin (M)* and raise the inner pole of the *VB72 Standard (A)* to either the men's, women's or junior's height marks on the pole. This line should be just visible above the top of the outer pole. See Figure 1.
2. Lay the *VB1250K Net (F)* out finding the end with the factory installed rope ratchet device on the bottom rope. Install the opposite end of the net to the non-winch standard by running the black top rope over the rope guide and attaching the loop to the *Attachment Screw (I)* previously installed. Attach the other end of the net to the winch standard by running the black top rope over the rope guide and connect it to the 2” winch strap using the *Carabineer (K)*. See Figures 1 & 2.
3. Install one of the *Nylon Net Collars (J)* found in the hardware kit to each pole approximately 2” - 3” below the bottom of the *VB125K Net (F)*. Then attach the *Rope Ratchet (L)* device on the winch end to the D-ring on the collar and attach the other end of the bottom rope to the D-ring using one of the *Carabineers (K)* in the hardware kit. See Figure 2.



4. Turn the winch handle tightening the top rope of the system to eliminate the slack in the rope. Center the net between the two *VB72 Standards (A)*. Finish tightening the top rope using the *Winch (H)* and pull the loose end of the bottom rope through the *Rope Ratchet (L)* to tighten the bottom rope. See Figure 3.
5. Install the *Rope Ratchet (L)* kit by running the rope through the small holes in the sides of the *VB1250K Net (F)* and around the pole connecting them to the *Rope Ratchet (N)* device and then tighten all four devices evenly to achieve desired net tension and maintain proper net placement between the standards. See Figure 2.
6. Measure the net height in the center of the net to the floor. If your *VB72 Standards (A)* are set to junior height it should measure 7' (84"). Set to women's height it should measure 7'4-1/8" (88 1/8") and if your *VB72 Standards (A)* are set to men's height it should measure 7'11-5/8" (95 5/8"). If your measurement is different please write it down and proceed to the next step. If your measurement is correct than you are ready to play.

NOTE:

Excessive tightening of top rope is not necessary. Crank the winch until poles start to flex. Further tensioning results in lowering of the net. Achieve proper net height using the inner pole adjustment and/or the adjustable foot. To achieve proper net tensioning use the rope ratchets.

7. If not at the correct height, compute how much too high or too low, loosen the net on *VB72 Standards (A)* and proceed to step #8.
8. The *VB72 Standards (A)* have two positive lock pin positions and each official height. Use the position that gets you closest to your desired net height. You can then fine tune your net height with the adjustable foot. Turning the adjustable foot clockwise will lower net height, counter-clockwise will raise net height. Each revolution of the adjustable foot will raise or lower pole by approximately 1/16". Make sure to tighten jam nut once adjusted to desired height. See Figure 2.
9. It is advised to repeat steps 1-7 at this time. If your adjustments were correct you are ready to play. Repeat instructions #7-#8 if further adjustment is needed.

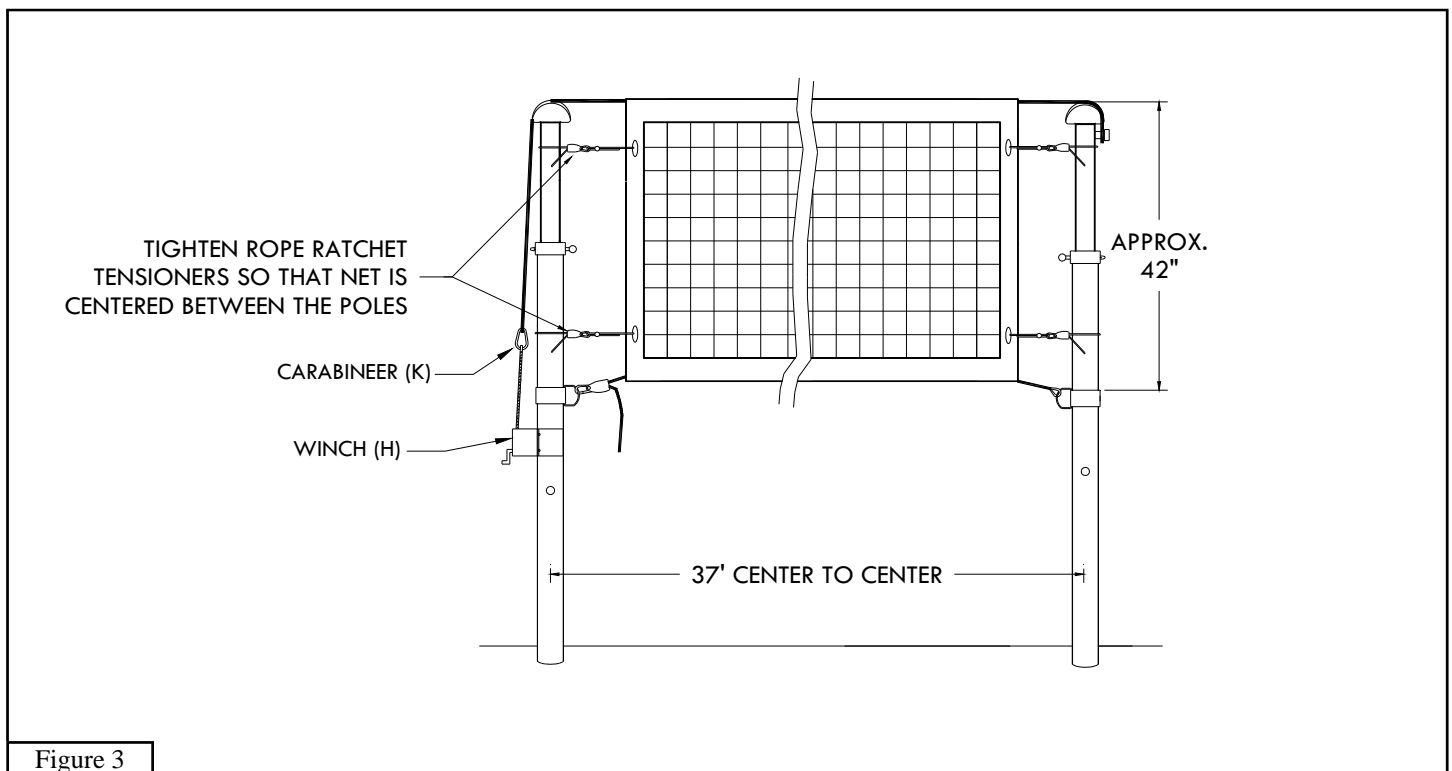
10. You can make some slight modifications to fine tune the net height by raising and lowering the collars, by tightening/loosening the winch, and by adjusting the tension on the side rope ratchets if necessary.
11. When you are confident that the initial net setup is complete trim excess top and bottom rope as desired. Burn ends with a lighter to eliminate fraying.

Height Adjustment for a Single Court System

NOTE:

Excessive tightening of top rope is not necessary. Crank the winch until poles start to flex. Further tensioning results in lowering of the net. Achieve proper net height using the inner pole adjustment and/or the adjustable foot. To achieve proper net tensioning use the rope ratchets.

1. Remove tension from the net. Remove the *Positive Lock Pins* (M) and adjust the inner poles to the desired height indicated by the height markings machined on the inner poles. Reinsert the positive lock pin. See Figure 1.
2. Adjust *Nylon Net Collars* (J) so that they are 2"-3" below the bottom of the net.
3. Crank top rope tight with the *Winch* (H), then pull bottom rope tight through the *Rope Ratchet* (L).
4. Attach *Rope Ratchets* (L) around pole and hook ends together, then center the net between poles as in previous instructions and apply desired tension. See Figures 2 & 3.

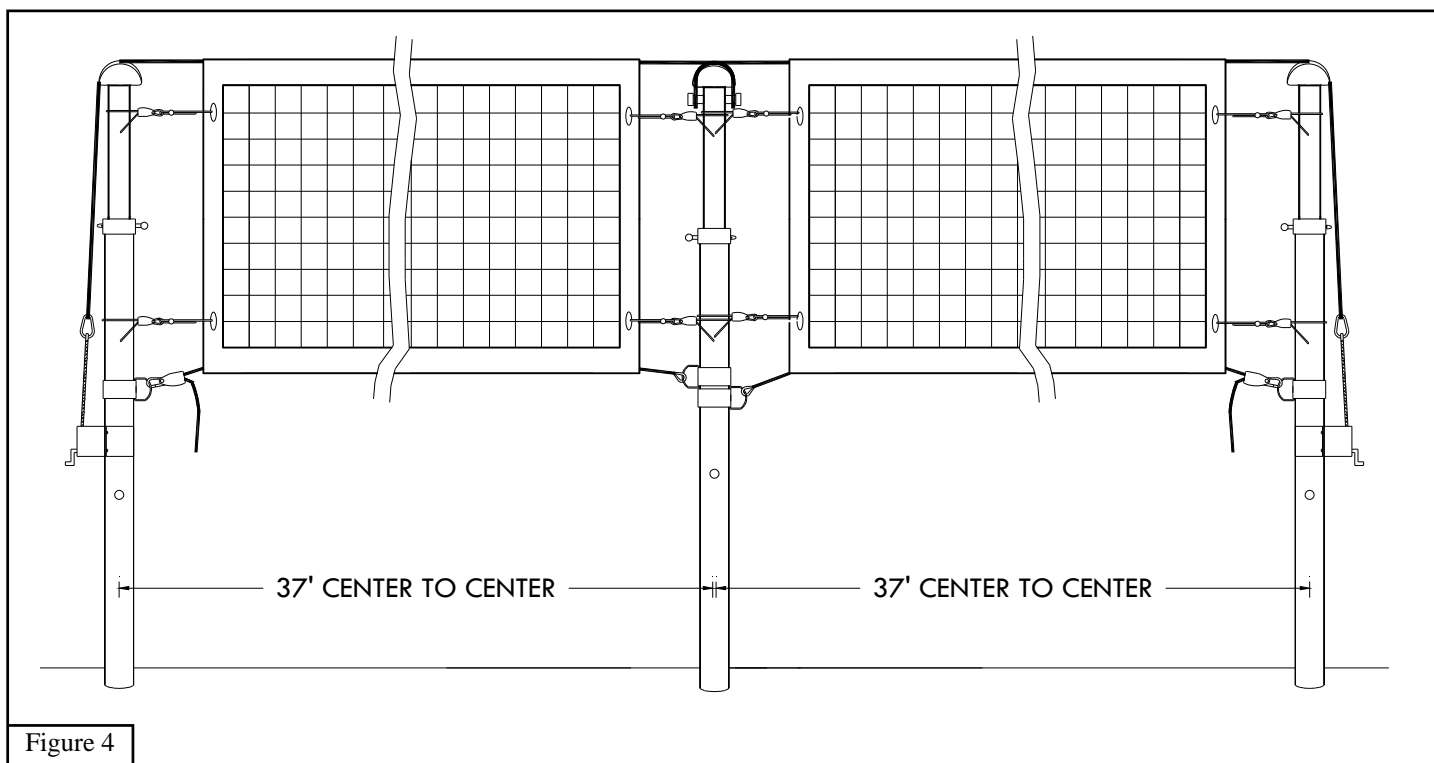


Height Adjustment for a Side by Side Court System Both Nets the same Height

NOTE:

Excessive tightening of top rope is not necessary. Crank the winch until poles start to flex. Further tensioning results in lowering of the net. Achieve proper net height using the inner pole adjustment and/or the adjustable foot. To achieve proper net tensioning use the rope ratchets.

1. Remove tension from the nets. Remove the *Positive Lock Pins* (M) and adjust the inner poles to the desired height indicated by the height markings machined on the inner poles. Reinsert the positive lock pin. See Figure 1.
2. Adjust *Nylon Net Collars* (J) so that they are 2"-3" below the bottom of the net.
3. Crank top rope tight with the *Winch* (H), then pull bottom rope tight through the *Rope Ratchet* (L).
4. Attach *Rope Ratchets* (L) around pole and hook ends together, then center the net between poles as in previous instructions and apply desired tension. See Figures 2 & 4.



Height Adjustment for a Side by Side Court System Nets at Different Heights

1. Remove tension from the nets.
2. Attach one of the Nylon Net Collars (J) to the center *VB72 Standard* (A) toward the top. See Figure 5.
3. Remove the *Positive Lock Pins* (M) of all three poles, adjust the net that will be at the greater height and reinsert the *Positive Lock Pins* (M) on those two poles. See Figure 1.
4. Adjust the *Nylon Net Collar* (J) on the center pole to the desired height for the second court and tighten.
5. Adjust the lower net court winch pole and tighten the *Winch* (H). See Figure 5.
6. Reattach and tension both bottom ropes.
7. Attach all *Rope Ratchets* (L) per previous instructions.
8. On multiple side by side court systems, the *Winch* (H) on the court adder poles should be placed above the collars so web strap will not interfere with bottom rope attachment.

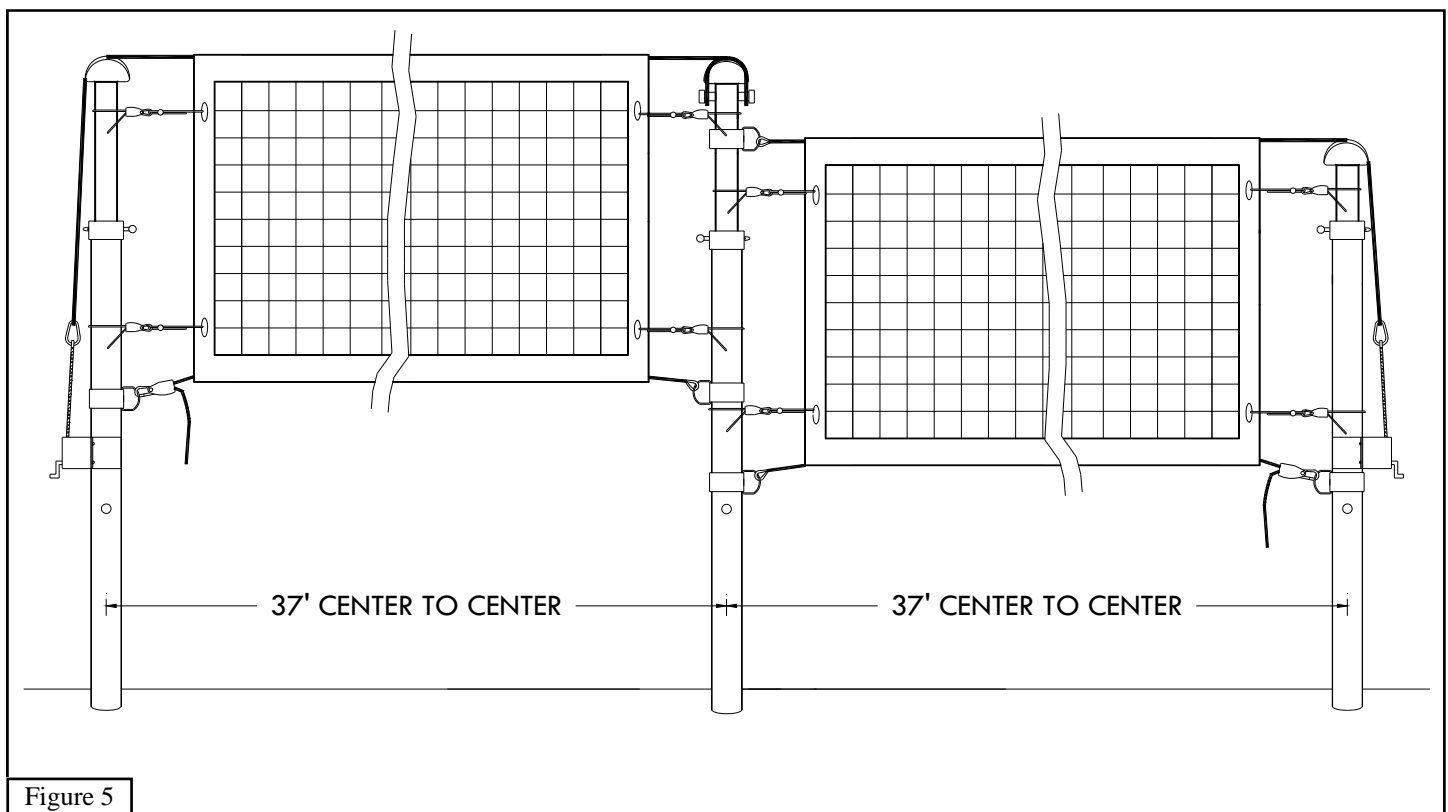


Figure 5

Floor Socket Sleeves & Deep Socket Adapters

1. If you have purchased the Bison VB72 3" Standards (A), for use in existing sockets that are not 3" diameter call Bison Customer Service department at 1-800-247-7668 for custom floor socket sleeves available at no additional cost.
2. You will need to provide the inside diameter of the floor socket and the depth of the socket from the playing surface to the bottom.
3. If the Adapter Sleeves fit loosely in the floor sockets they can be shimmed with thin metal strips or layers of duct tape can be wrapped around the outside of the sleeve at the top and the bottom until sleeve is snug inside the existing floor sockets.
4. If your pre-existing floor sockets are more than 12" deep from the finished floor to the bottom of the socket, call the Bison customer service department at 1-800-247-7668 for information on Deep Socket Adapter Kits available at no additional cost.

Court Diagram

