

— Assembly and safe use Manual —

VB6000, VB6050

Match Point Volleyball Systems



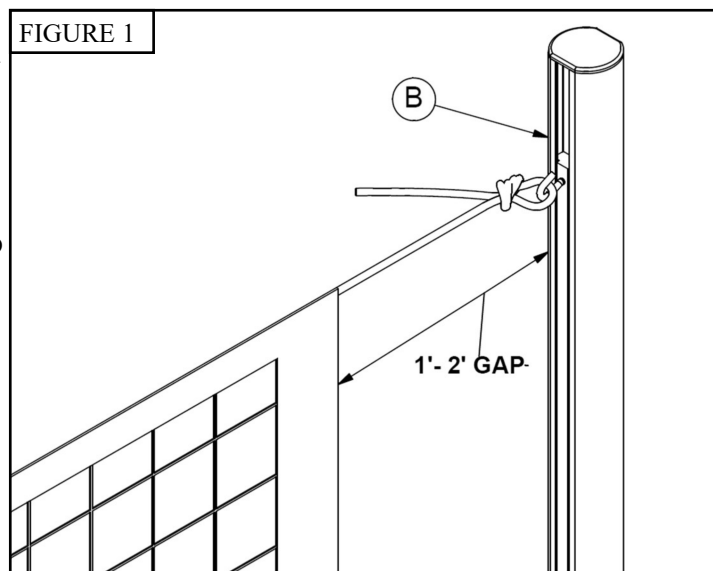
Customer Service
(800) 247-7668

PARTS LIST					
Item	Qty	Description	Item	Qty	Description
A	1	VB60 Winch Standard	E	1	VB13 Net Antennas (Pair, if applicable)
B	1	VB60 Non-Winch Standard	F	2	VB51P Post Padding (if Applicable)
C	2	Floor Sockets (if applicable)	G	4	Rope Ratchet Tensioners (Packaged with Net)
D	1	VB1250KU Net	H	2	Height Labels (Packaged with Standards)

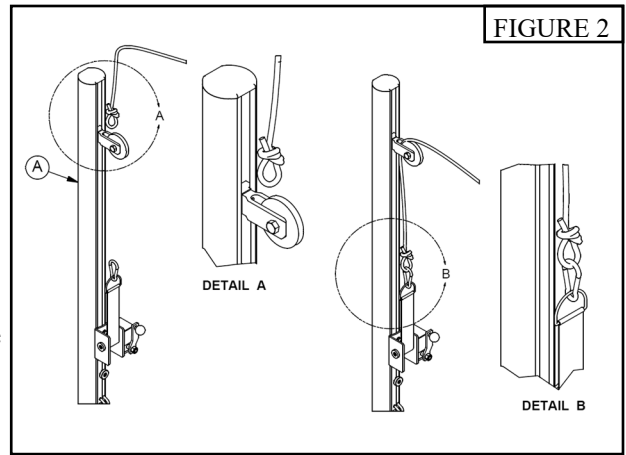
- ◆ Inspect all contents prior to installation. Report any missing parts to dealer immediately.
- ◆ Read all instructions before proceeding.
- ◆ These systems can be adjusted from 7'11-5/8" men's net height to 42" tennis height.

1. If applicable, follow the instructions provided with the *Floor Sockets* (C) to prepare the court for system installation, use the diagram on page 3 to locate the *Floor Sockets* (C) on your court.
2. Place the *VB60 Standards* (A) and (B) in the *Floor Sockets* (C) with the Slider Bars toward the inside of the court. See Figure 4.
3. Uncoil approximately 24" of the web strap from the winch to allow for net tensioning.

4. Remove the *VB1250KU Net* (D) from the box and tie an overhand knot on one end of the top rope creating a loop. Note: There may be a factory tied knot already on your net.
5. Attach the loop in #4 above to the hook on the top of the *VB60 Non-Winch Standard* (B). See Figure 1
6. Slide the net along the top rope until the end of the net is 1' to 2' from the *VB60 Non-Winch Standard* (B). The top rope will have excess length on the opposite end to allow for wider location of the floor sockets. Don't cut off any excess top rope at this point. See Figure 1



- Tie a second overhand knot similar to the one on the other end of the top rope at a location that you estimate will allow the top rope of the net to be properly tensioned with the winch for play when the top rope is attached to the winch web strap. This might take some trial and error until you get the knot in the correct location. Note that the knot will need to be neat and tight to be able to slide freely through the space between the rope pulley and the post when installing and removing the net from the posts. Attach the loop formed by the knot to the spring clip on the end of the web strap. See Figure 2

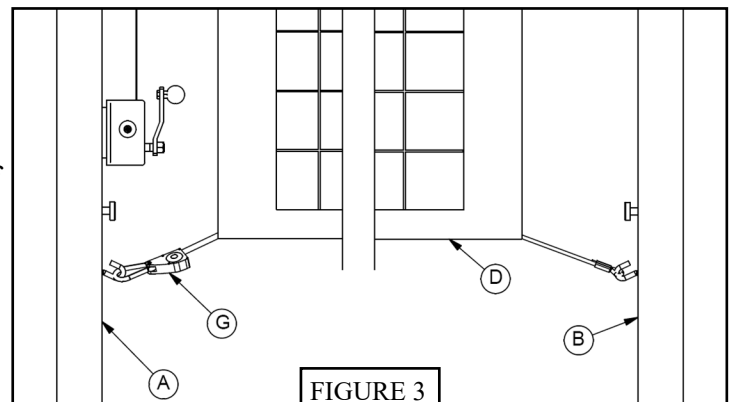


Caution!

The VB1250KU net is designed to fit Bison Match Point installation with pole locations between 34' and 40' by customizing the length of the top rope. Do Not cut the excess rope until you are confident you have the correct length. Length will depend on the distance between the standards. Nets cannot be returned after unwrapping. Call Bison Customer Service for assistance at #800-247-7668.

- Attach the preformed crimped loop on one end of the bottom rope to the hook on the bottom of the slider bar on the *VB60 Non-Winch Standard* (B). Attach the other end of the bottom rope with the spring hook on the rope ratchet to the *VB60 Winch Standard* (A). Tension the bottom rope by pulling the rope through the bottom rope ratchet. See Figure 3.

- Following the instructions provided loop two small *Rope Ratchet Tensioners* (G) around each standard and through the holes on the net side tapes. Tension the net sides by pulling the end of the ropes. Release the *Rope Ratchet Tensioners* (G) by pressing on the release button. *Rope Ratchet Tensioners* (G) should be rotated close to the pole and behind the padding to prevent contact with players. See Figure 4.



- Once the *VB1250KU* (D) is attached it must be adjusted to its desired height. Loosen the winch to release the net tension. After the net tension has been released, loosen the locking knobs on the Slider Bars to allow the Slider Bars to freely move up and down. Adjust *VB1250KU Net* (D) to desired height. Once the top of the *VB1250KU Net* (D) is at the desired height, tighten the Slider Bars locking knobs and net top tension crank. See Figure 4.
- Once the *VB1250KU Net* (D) is tensioned at the desired height, install the *Height Labels* (H). Line up the appropriate line on the *Height Label* (H) with the machined height indicator mark on the Slider Bars. Use a credit card or something similar to smooth all air bubble from *Height Labels* (H).
- When you are confident that your net set up is correct remove any excess top and bottom rope leaving approximately 36" of excess. Singe the ends of both ropes.
- Install padding and antennas (if applicable).

FIGURE 4

