

VB25FL

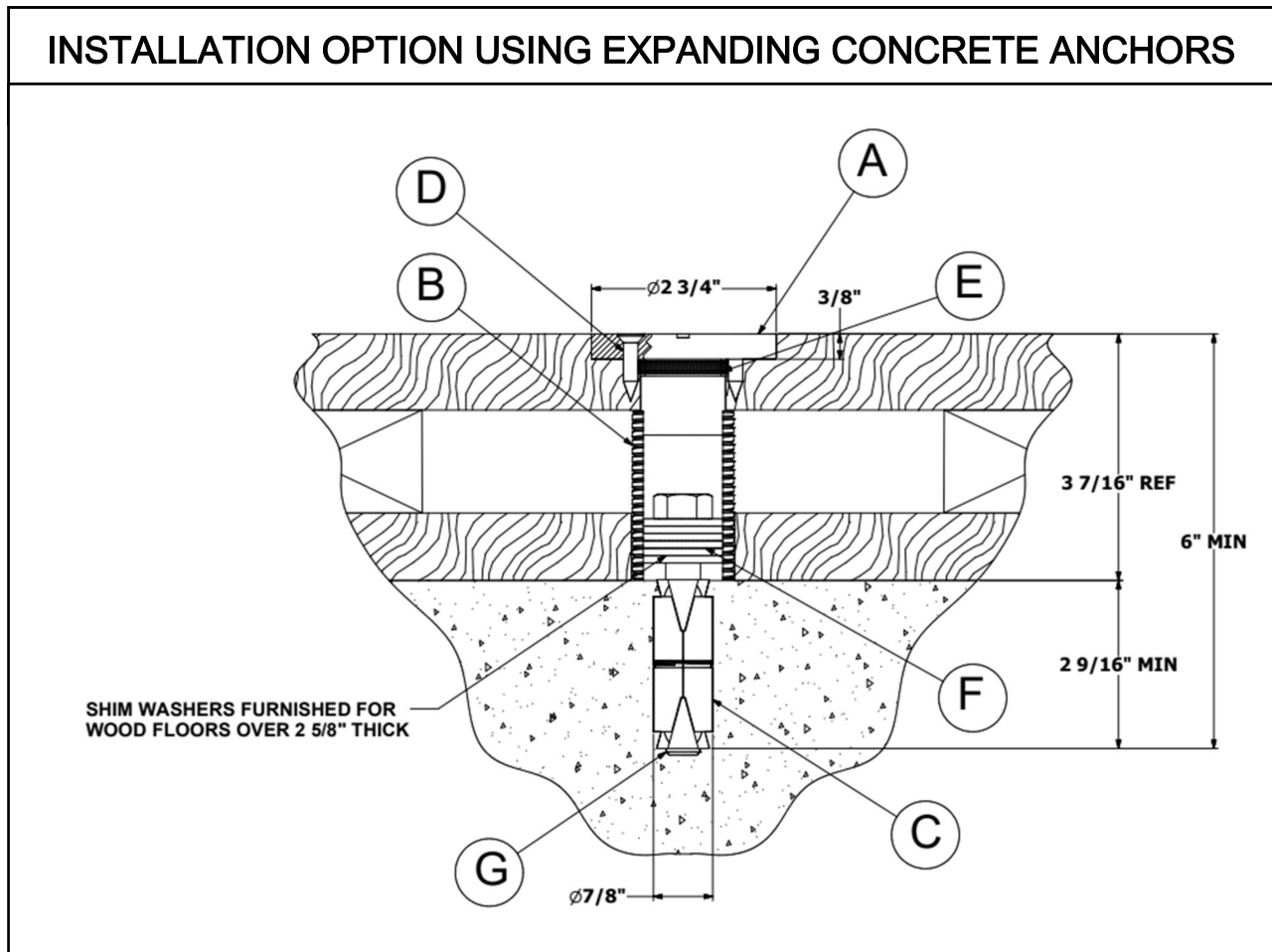


Drill In Floor Anchor For Use In Floating Wooden Floors

Customer Service
(800) 247-7668

PARTS LIST					
Item	Qty	Description	Item	Qty	Description
A	1	VB25 Floor Anchor	E	6	1 1/2 x 1 1/4 Shim Washer
B	1	VB25 Canister	F	6	1/2 Flat Washer
C	1	VB25 Expansion Anchor	G	1	1/2-13 x 3 Hex Bolt
D	4	#12 x 1 Philips Wood Screw	H	2	1/2-13 Hex Nut

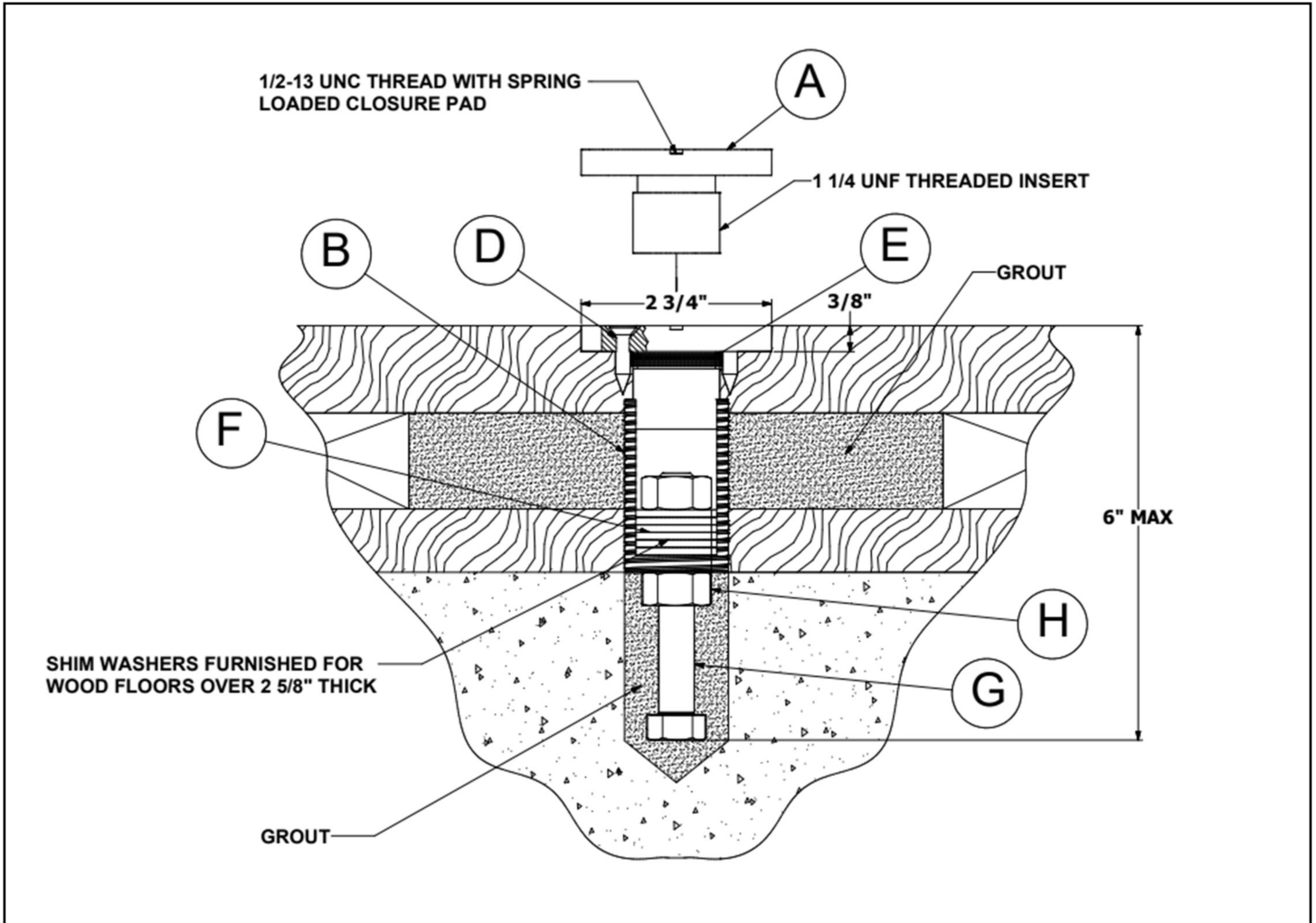
INSTALLATION OPTION USING EXPANDING CONCRETE ANCHORS



IMPORTANT NOTE:

1. Pilot drill a 7/8" diameter hole through floor structure. Then use a 7/8" carbide tipped drill to extend the hole at least 2 9/16" into the concrete.
2. Open up hole in floor structure to 1 1/2" diameter, then route a hole 2 3/4" diameter by 3/8" deep at the top for the threaded insert. Use caution so that the top of the insert is not below the floor level. If possible, route the hole at least 1/16" diameter oversize, to allow for swelling and shrinkage of the wood floor. Filling any gap between the insert and floor with silicone is recommended.
3. Insert the assembly as shown, fastening down the canister with the anchor. Be sure the canister is deep enough to allow the threaded insert to seat properly into the routed area of the floor.
4. Install threaded insert so the top is flush with the floor. Transfer the screw hole locations and drill 1/8" diameter pilot holes. Then install and tighten the wood screws (4) provided.

INSTALLATION OPTION USING GROUTED METHOD



IMPORTANT NOTE:

1. Bore 1 1/2" diameter hole through the floor and concrete using a carbide tipped drill bit to a depth of 6" maximum.
2. Route a 2 3/4" diameter by 3/8" deep at the top for the threaded insert. Use caution so that the top of the insert is not below the floor level. If possible, route the hole at least 1/16" diameter oversize, to allow swelling and shrinkage of the wood flooring. Filling any gap between the insert and the floor with silicone is recommended.
3. Remove anchor and turn bolt around as shown. Use the two nuts provided and lock bolt into the canister.
4. Insert into the hole and be sure the grout gets into the grooves outside of the canister.
5. Transfer screw hole locations (4) onto the floor and drill 1/8" diameter pilot holes, then tighten wood screws provided.

Volleyball Court Diagram

