

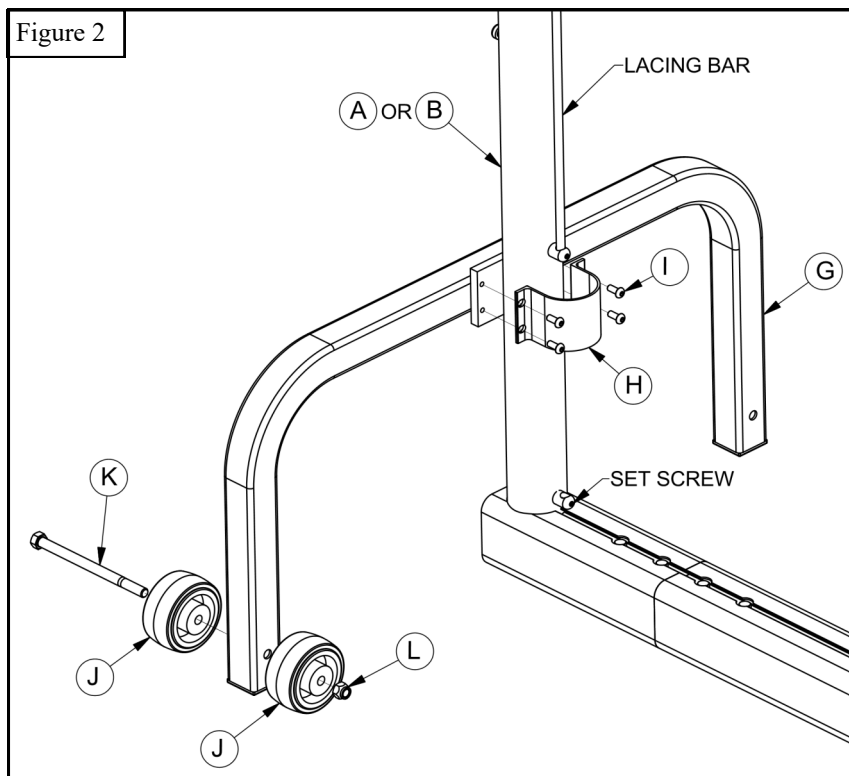
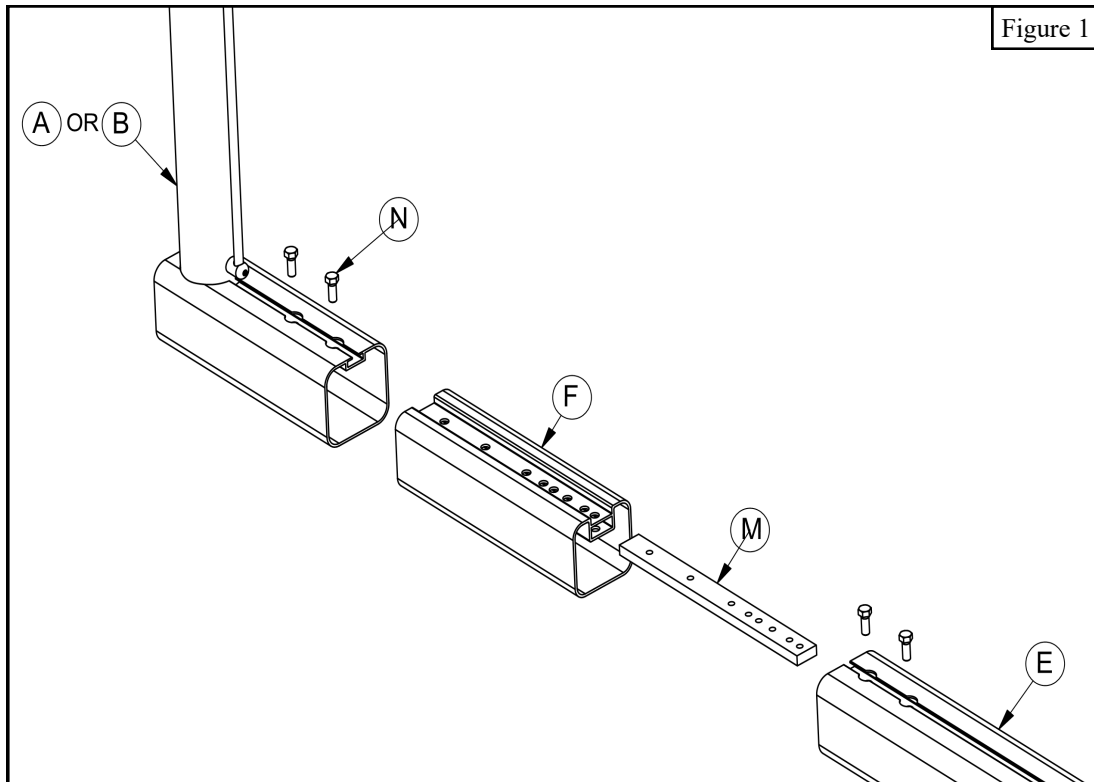
TN10P

Competition Portable Tennis System

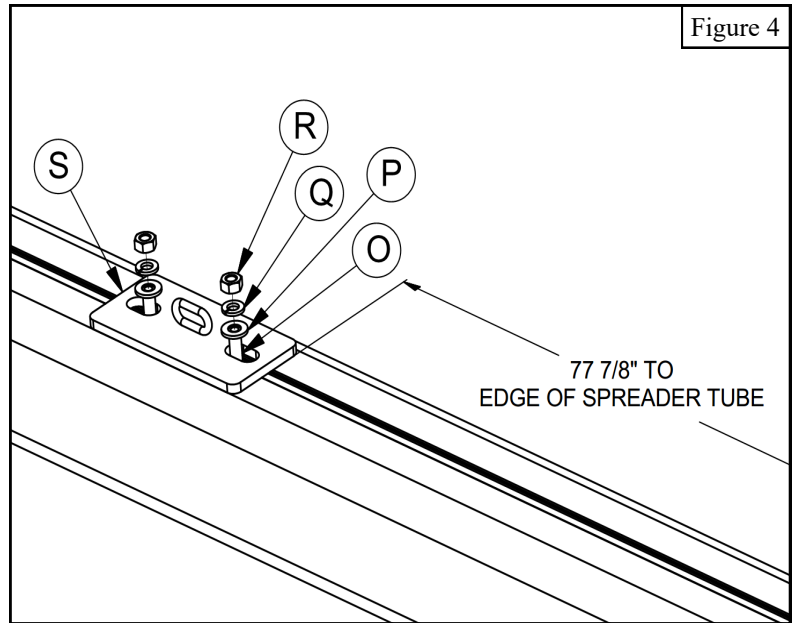
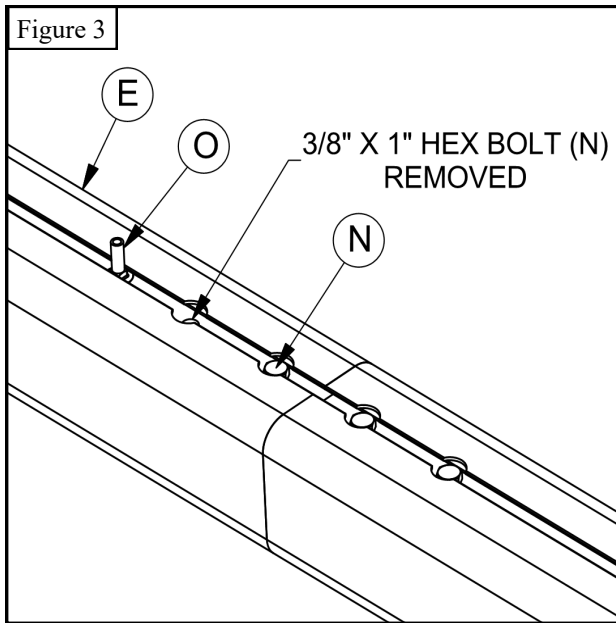
PARTS LIST					
Item	Qty	Description	Item	Qty	Description
A	1	Winch Post	L	2	1/2" Lock Nut
B	1	Non-Winch Post	M	4	Connecting Bar
C	1	Removable Winch Handle	N	16	3/8" X 1" Hex Bolt
D	1	TN10NP Tennis Net	O	2	5/16" X 1" Carriage Bolt
E	3	Spreader Tube	P	2	5/16" Flat Washer
F	4	Inner Tube	Q	2	5/16" Lock Washer
G	2	Stabilizer Leg	R	2	5/16" Hex Nut
H	2	Clamp	S	1	TN10P Center Strap Anchor
I	8	5/16" X 3/4" Button Head Bolt	T	1	TN10CS Center Court Hold Down Strap
J	4	Wheel	U	2	Lacing Cord
K	2	1/2" X 7 1/2" Hex Bolt			

- ◆ Inspect all contents prior to installation. Report any missing parts to dealer immediately.
- ◆ Read all instructions before proceeding.

- Slide the *Connecting Bar* (M) into the *Inner Tube* (F) through the channel so that all the holes are lined up as shown. Insert the inner tube assembly into either the *Winch Post* (A) or the *Non Winch Post* (B) leaving six holes exposed for the *Spreader Tube* (E) attachment. Using two of the *3/8" X 1" Hex Bolts* (N) loosely attach the inner tube assembly to the *Winch Post* (A). Slide a *Spreader Tube* (E) over the exposed portion of the inner tube assembly and attach it using two more *3/8" X 1" Hex Bolts* (N). Continue the same process with two more *Spreader Tubes* (E) followed by the *Non Winch Post* (B). Tighten all of the *3/8" X 1" Hex Bolts* (N). See Figures 1 & 7.
- Loosen the set screws that secure the lacing bars to the *Winch Post* (A) and the *Non Winch Post* (B). Slide the lacing bar up, then using the *5/16" X 3/4" Button Head Bolts* (I) attach the *Clamp* (H) to the *Stabilizer Leg* (G) Assembly. Leave the *5/16" X 3/4" Button Head Bolts* (I) hand tight. Slide the lacing bar back in its original position and tighten the set screw. See Figure 2.
- Remove one of the *3/8" X 1" Hex Bolts* (N) on the middle *Spreader Tube* (E). Slide the *5/16" X 1" Carriage Bolts* (O) down the groove in the *Spreader Tube* (E) towards the middle. Replace *3/8" X 1" Hex Bolt* (N). Measure approximately 77 7/8" from the end of the middle *Spreader Tube* (E) and make a small mark. Place the *TN10P Center Strap Anchor* (S) over the *5/16" X 1" Carriage Bolts* (O). Line the edge of the *TN10P Center Strap Anchor* (S) up with the mark made earlier. Tighten it down to the *Spreader Tube* (E) using the *5/16" Flat Washers* (P), *5/16" Lock Washers* (Q), and the *5/16" Hex Nuts* (R). See Figures 3 & 4.



4. Stretch out *TN10NP Tennis Net* (D) across the court.
5. Hook the loop on the *TN10NP Tennis Net* (D) top cable around the net retaining pin on *Non-Winch Post* (B) and over the top pulley. See Figure 5.
6. Cut off loop and remove 12" of nylon cable coating from the top net cable, run cable over the top groove of the net cable pulley down the outside of the post. Insert cable into the winch cable hole on the *Winch Post* (A). Use the *Removable Winch Handle* (C) to crank cable until you achieve 38" at the center of *TN10NP Tennis Net* (D). See Figure 6.



7. Insert dowels through the end side tapes of *TN10NP Tennis Net (D)*.
8. Square up *TN10NP Tennis Net (D)* to each post, use *Lacing Cord (U)* to secure *TN10NP Tennis Net (D)* to each post. See Figure 5.
9. Attach *TN10CS Center Court Hold Down Strap (T)* to the strap retaining bar on the *TN10P Center Strap Anchor (S)*. Adjust *TN10CS Center Court Hold Down Strap (T)* so top of *TN10NP Tennis Net (D)* measures 36" at the center. See Figure 4.
10. After the net is at the desired height and tension make sure the *Stabilizer Legs (G)* are fully contacting the playing surface then tighten all of the *5/16" X 3/4" Button Head Bolts (I)*. See Figure 2.
11. Using the *1/2" X 7 1/2" Hex Bolt (K)* and the *1/2" Lock Nut (L)* bolt two *Wheels (J)* onto each *Stabilizer Leg (G)*. Make sure *Wheels (J)* are installed on the same side of the posts. See Figures 2 & 7.

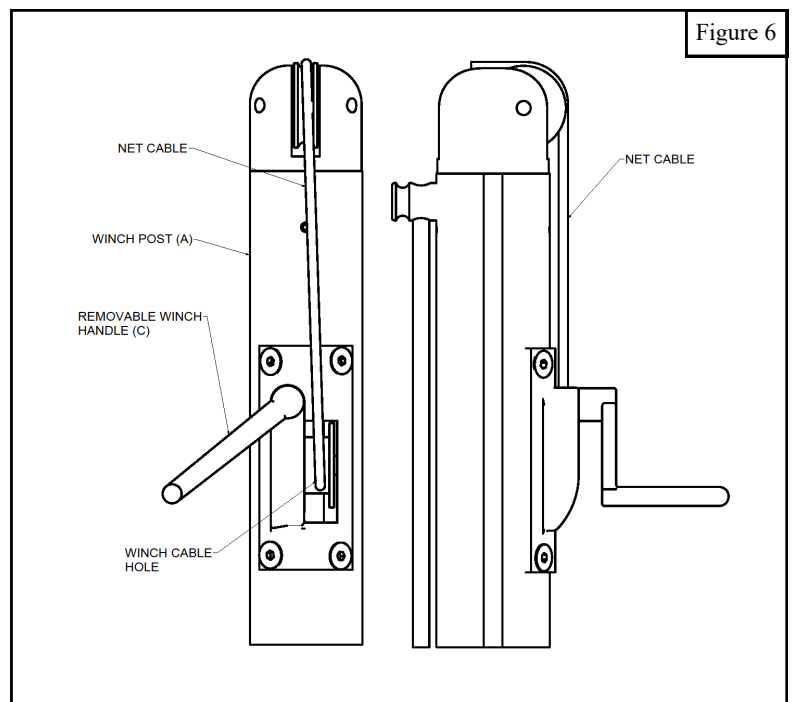
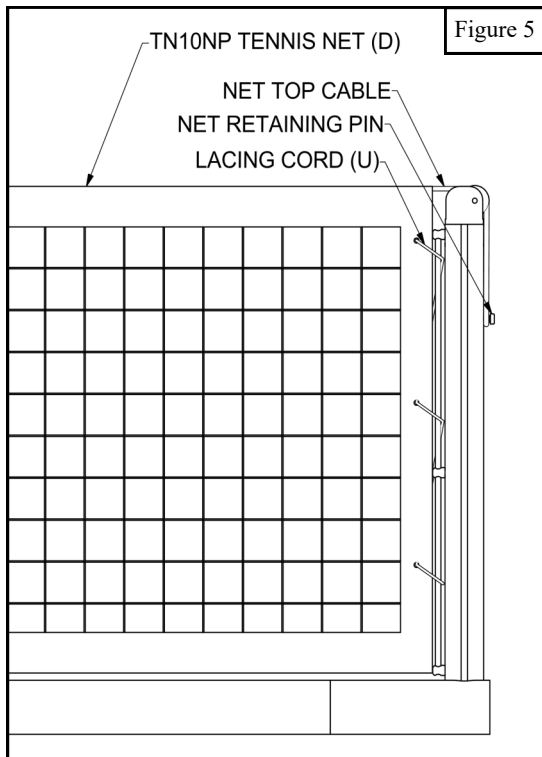


Figure 7

