

— ASSEMBLY INSTRUCTIONS —

Supplemental 2 and 3 Piece Seat Plank



Customer Service
(800) 247-7668

Bison Bleachers and Benches

PARTS LIST					
Item	Qty	Description	Item	Qty	Description
A	8	#14 x 3/4 Self Drilling/Threading Hex Screws (16 each on 3 Piece Plank)	C	2	Seat Connector Tubes (4 on each 3 Piece Plank)
B	1	3/8" Hex Magnetic Screwdriver Socket (packaged separately)	D	2	Seat Connector Caps (4 on each 3 Piece Plank)

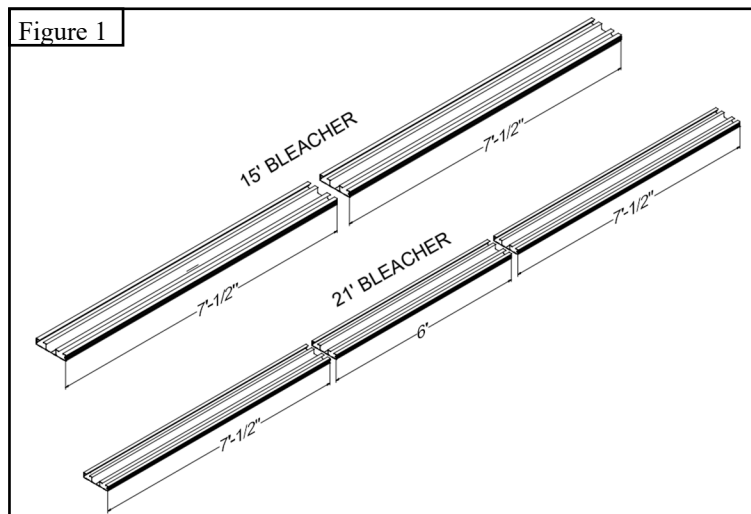
Thank you for purchasing Bison aluminum benches or bleachers. Recent developments in the trucking industry have resulted in the following:

- ◆ Excessive overlength freight charges for any freight over 8' in length.
- ◆ Lack of carriers who will accept overlength freight.
- ◆ Excessive handling damage or lost freight on any hand loaded, difficult to handle, freight.
- ◆ Individual drivers refusing to pick up freight on our dock even after arrival.

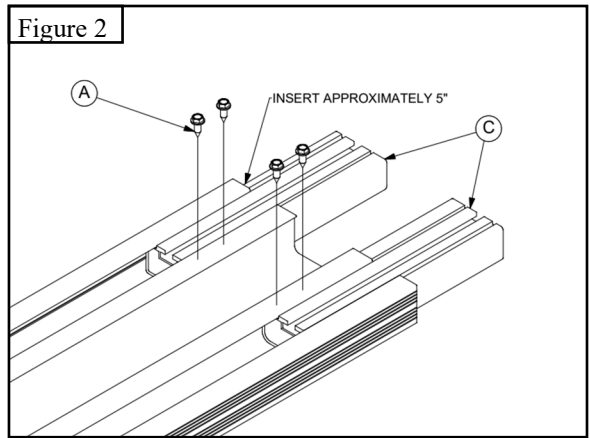
For these reasons, your Bison 15' and 21' bleachers and benches have been redesigned to overcome these obstacles. The seat and foot aluminum planks are now provided in multiple sections with minor additional field installation required to assemble the planks, ready for final assembly. Follow these simple instructions, then proceed to the completed attached instructions for final assembly.

- ◆ Inspect all contents prior to installation. Report any missing parts to dealer immediately.
- ◆ Read all instructions before proceeding.

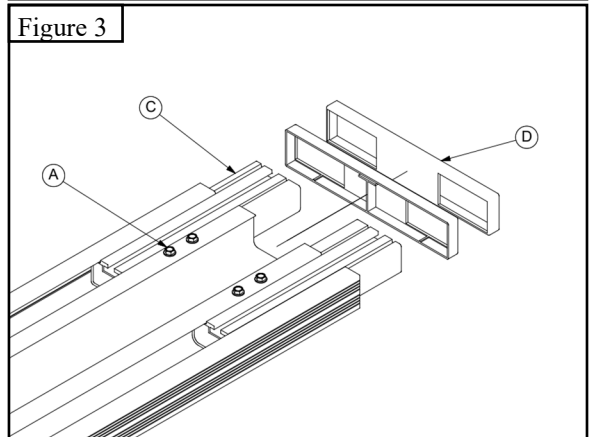
1. Please note that 15' bleachers and benches will be assembled using two 7 ½' planks. 21' bleachers will use a 6' plank in the middle with a 7 ½' plank on each end.
2. Plank assembly will require a cordless or electric drill to install the provided #14 x ¾" *Self Drilling/Threading Hex Screws (A)* using the 3/8" *Hex Magnetic Screwdriver Socket (B)* included.
3. Lay planks end to end on a flat surface with the bottom side of the planks facing up. If some of your planks are "anodized" and some are "bright" do not mix on the same plank assembly. See Figure 1.



4. One box marked *BSPLICE* is provided for each plank joint location. Insert two *Seat Connector Tubes* (C) approximately 5" into one end of a plank that will be connected to an adjacent plank. Using your drill, and the provided $3/8$ " *Hex Magnetic Screwdriver Socket* (B), install four $\#14 \times 3/4$ " *Self Drilling/Threading Hex Screws* (A) as shown in Figure 2.



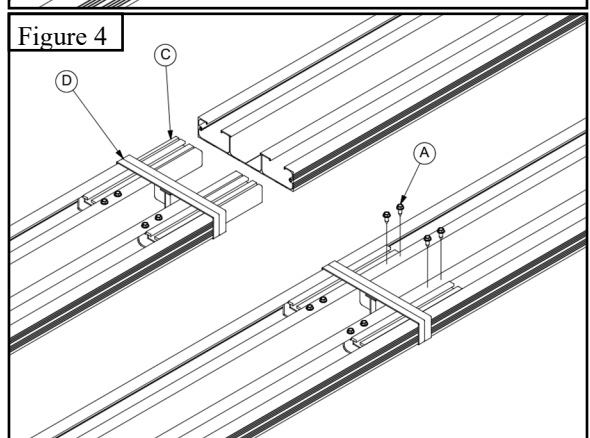
5. Slide two *Seat Connector Caps* (D) back-to-back over the protruding *Seat Connector Tubes* (C) making sure that the one closest to the first plank is seated on the end of the plank. See Figure 3.



NOTE: These two *Seat Connector Caps* (D) may be replaced in the future by a single double sided *Side Connector Cap* (D)

6. Slide the second plank over the two *Seat Connector Tubes* (C) making sure that it is tight against the two back-to-back *Seat Connector Caps* (D) and the first plank.

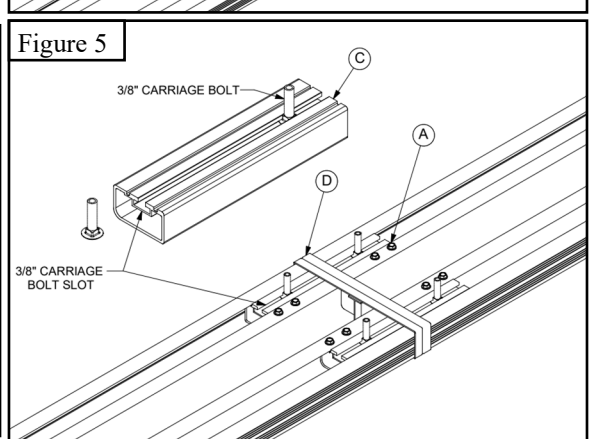
7. Install four additional $\#14 \times 3/4$ " *Self Drilling/Threading Hex Screws* (A) to complete the joint connection. See Figure 4.



8 Repeat process at each plank joint.

9. Proceed to attached instructions to assemble the support structures, and to attach the seat and foot planks.

10 Attachment of planks adjacent to the plank splices to the bases do not require use of the bench clamps, as the square $3/8$ " carriage bolt heads will sit in the slot in the connecting tubes instead of the bench clamps. See Figure 5.



11. See Figure 6 below for appropriate positioning of the planks in relationship to the structures. Note that on 15' and 21' bleachers and benches the planks will overhang slightly more on one end than the other due to the plank splice hardware.

