

— Installation and Safe Use Manual —

SVB5000A, SVB5050A & SVB500A



Customer Service
(800) 247-7668

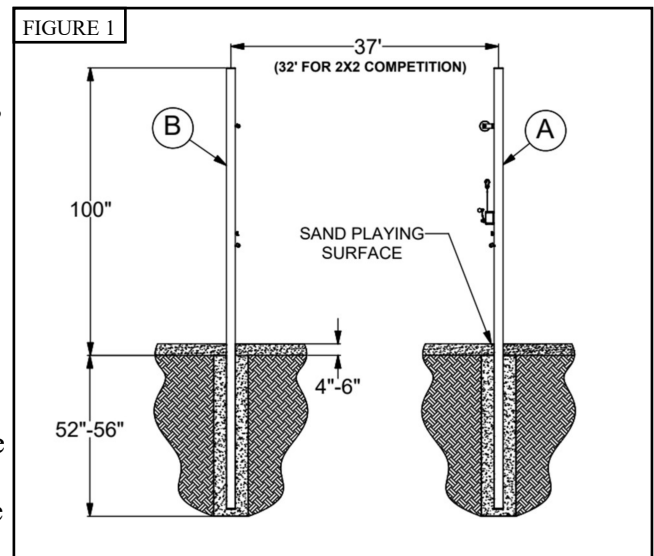
Match Point Outdoor Volleyball Systems

| PARTS LIST | | | | | |
|------------|-----|---|------|-----|-------------------------------|
| Item | Qty | Description | Item | Qty | Description |
| A | 1 | Winch Standard | F | 2 | Height Label |
| B | 1 | Non-Winch Standard | G | 2 | Post Padding (SVB5000A only) |
| C | 2 | SVB210 Ground Socket (Optional) | H | 2 | Antennae (SVB5000A only) |
| D | 1 | VB1250KU Net (Order SVB1250K for 2x2 competition) | I | 1 | SVB500 Court Adder (optional) |
| E | 4 | Rope Ratchet Tensioner | | | |

- ◆ Inspect all contents prior to installation. Report any missing parts to dealer immediately.
- ◆ Read all instructions before proceeding.
- ◆ This system can be adjusted from 7' 11 5/8" men's volleyball height to 45" tennis height.

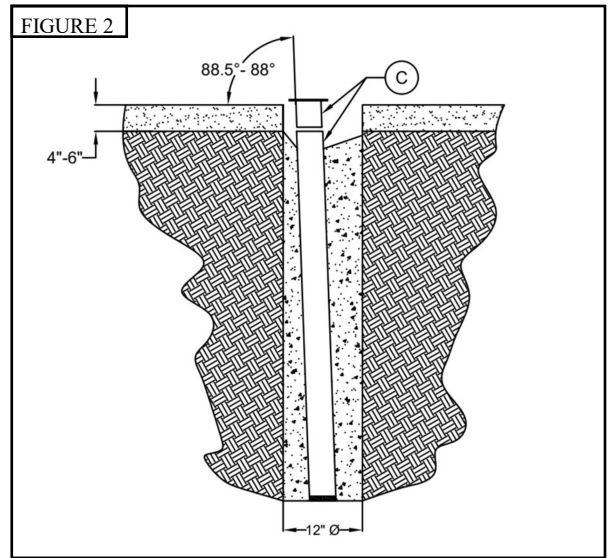
1. Layout your court. See Figure 7.

2. For permanent installation dig two holes 12" in diameter, 52" - 56" below the finish playing surface and 37 feet apart (32 feet apart for 2x2 Competition). You will need 8-10 1/3 cubic foot bags of pre-mix concrete for each hole. Insert *Winch Standards* (A) and *Non-Winch Standards* (B) with the slider bars facing the center of the court. Fill holes with concrete. The top of the two Standards (A) and (B) need to be approximately 100" above the final playing surface. The top surface of the concrete footing needs to be 4" - 6" below the playing surface of the sand if installing a sand court. Angling the poles outward 1 1/2 - 2 degrees will offset the bend caused by tensioning the net. Brace poles while concrete cures. Make sure concrete has cured at least 7 days before continuing with the installation. See Figure 1.

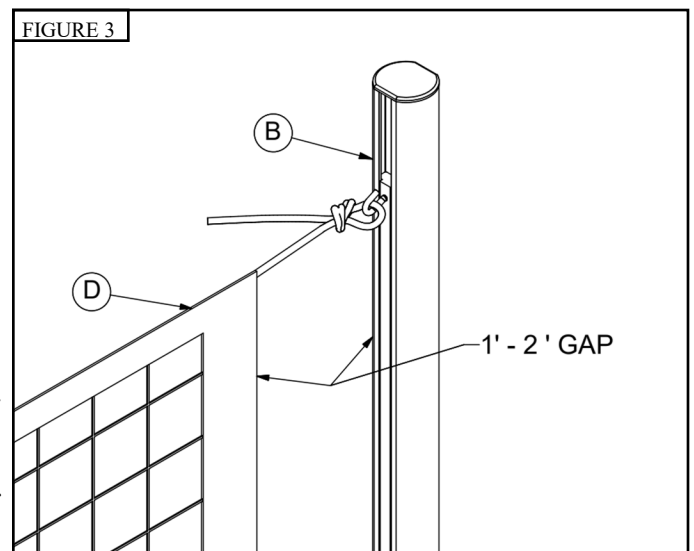


3. For removable installation push back the sand (if a sand court) at each standard location enough to facilitate digging a 12" minimum diameter hole that is at least 60" deep from the theoretical finish grade of the sand playing surface.
4. Fill the bottom 10" - 12" of the hole with premixed concrete.
5. Center the *SVB210 Ground Sockets* (C) in the hole after making sure that the plastic bottom cap is securely attached. Push the sleeve to the depth where the top of the sleeve will be below the theoretical finish grade of the sand approximately 4" if installing a sand court. Failure to follow this instruction will leave a dangerous protrusion from the sand if the posts are removed and the sand is used for other activities.

6. The depth of the sleeve will impact the net height if instruction number 5 above is not followed.
7. Fill the remainder of the hole to approximately 6" below the top of the sleeve with premixed concrete. Make sure concrete is not allowed into the sleeve. The orange top cap can be used to keep the concrete out.
8. The sleeve should be mounted with a 1 1/2 - 2 degree outward angle from the court. This will ensure standards remain vertical upon the tensioning of the volleyball net. The fit between the sleeve and the post is intentionally loose for removal even in the sandy outdoor environment. See Figure 2
9. Allow the concrete to cure for 7 days prior to use.



10. Orange top cap is used to keep sand and rain out of sleeve when pole is not installed.
11. If applicable, place the Standards (A) and (B) in the SVB210 Ground Sockets (C) with the Slider Bars toward the inside of the court. See Figure 6.
12. Uncoil approximately 24" of the web strap from the winch to allow for net tensioning.
13. Remove the Net (D) from the box and tie an overhand knot on one end of the top rope creating a loop. Note: There may be a factory tied net already on your net.
14. Attach the loop in #13 above to the hook on the top of the Non-Winch Standard (B). See Figure 3.

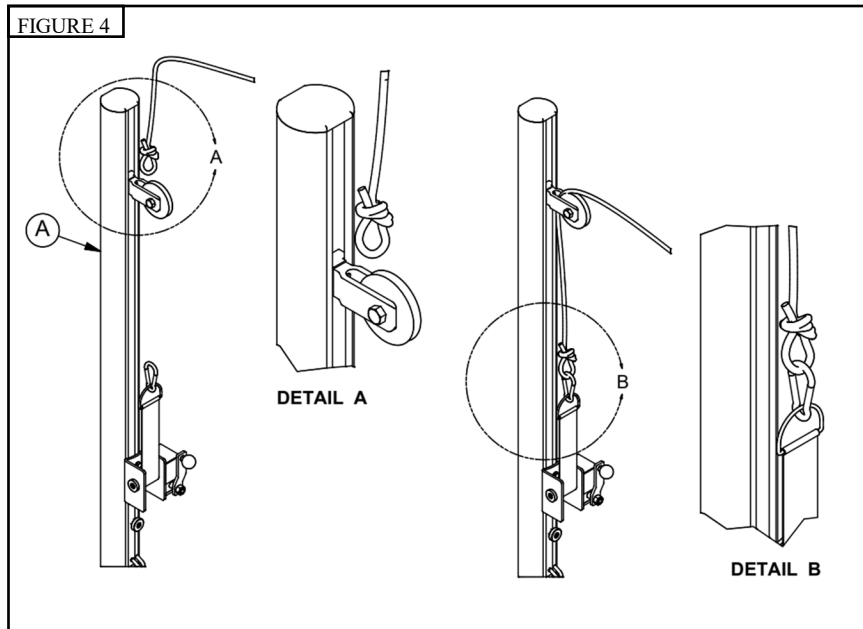


15. Slide the net along the top rope until the end of the net is 1' to 2' from the Non-Winch Standard (B). The top rope will have excess length on the opposite end to allow for wider location of the standards or floor sockets. Don't cut off any excess top rope at this point. See Figure 3.

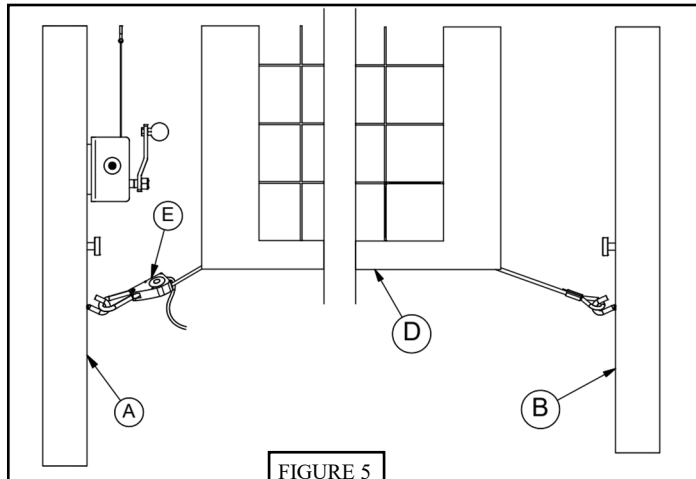
Caution!

The VB1250KU Net (D) is designed to fit Bison Match Point Systems by customizing the length of the top and bottom ropes. Tie a loop in one end of the top rope at a location that allows proper tensioning. Do Not cut the excess rope until you are confident you have the correct length. Length will depend on the distance between the standards. Nets cannot be returned after unwrapping. Call Bison Customer Service for assistance at #800-247-7668.

16. Tie a second overhand knot similar to the one on the other end of the top rope at a location that you estimate will allow the top rope of the net to be properly tensioned with the winch for play when the top rope is attached to the winch web strap. This might take some trial and error until you get the knot in the correct location. Note that the knot will need to be neat and tight to be able to slide freely through the space between the rope pulley and the post when installing and removing the net from the posts. Attach the loop formed by the knot to the spring clip on the end of the web strap. See Figure 4.



17. Attach the preformed crimped loop on one end of the bottom rope to the hook on the bottom of the slider bar on the *Non-Winch Standard* (B). Attach the other end of the bottom rope with the spring hook on the rope ratchet to the *Winch Standard* (A). Tension the bottom rope by pulling the rope through the bottom rope ratchet. See Figure 5.
18. Following the instructions provided loop two small *Rope Ratchet Tensioners* (E) around each standard and through the eyelets on the net side tapes. Tension the net sides by pulling the end of the ropes. The net shall be equally spaced between the standards. Release the *Rope Ratchet Tensioners* (E) by pressing on the release button. *Rope Ratchet Tensioners* (E) should be rotated close to the pole and behind the padding to



19. Once the *Net* (D) is attached it must be adjusted to its desired height. Loosen the winch to release the net tension. After the net tension has been released, loosen the locking knobs on the slider bars to allow the slider bars to freely move up and down. Adjust *Net* (D) to desired height. Once the top of the *Net* (D) is at the desired height, retighten the slider bar locking knobs and re-tension the net. See Figure 6.
20. Once the *Net* (D) is tensioned at the desired height, install the *Height Labels* (H). Line up the appropriate line on the *Height Label* (F) with the machined height indicator mark on the slider bars. Use a credit card or something similar to smooth all air bubbles from *Height Labels* (F).
21. When you are confident that your net set up is correct cut off any excess top and bottom rope leaving approximately 36" of excess. Singe the ends of both ropes.
22. Install *Post Padding* (G) and *Antennas* (H), if applicable.

FIGURE 6

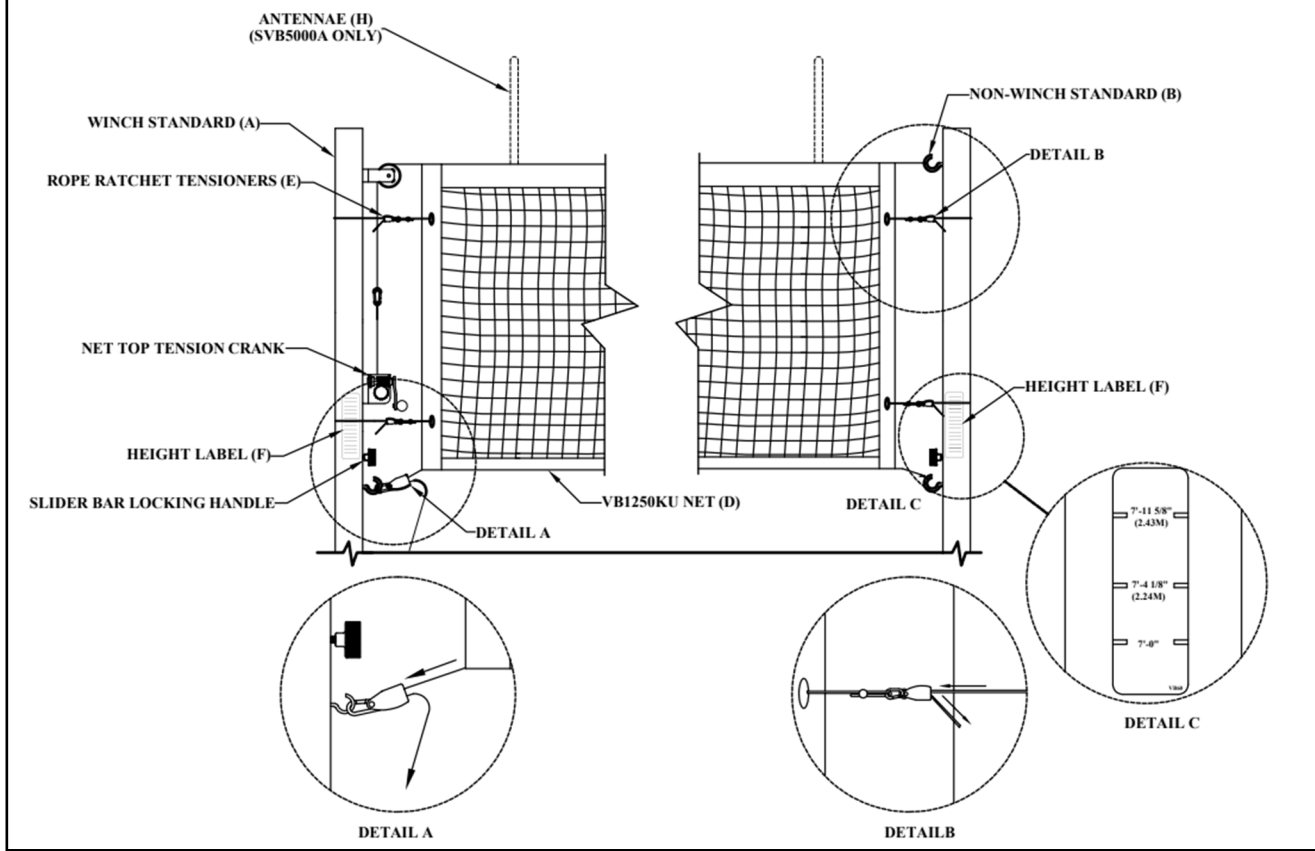


FIGURE 7

VOLLEYBALL COURT LAYOUT

