

SVB210



Customer Service
(800) 247-7668

Sand Volleyball Ground Sleeve Installation Instructions

PARTS LIST					
Item	Qty	Description	Item	Qty	Description
A	1	SVB210 Ground Sleeve	C	1	Orange Top Cap
B	1	Bottom Plastic End Cap			

1. **Please read all instructions before proceeding.**
2. **Layout your court using the drawing attached to these instructions (as per NCAA Sand Volleyball Rules)**
3. **At the post locations push back the sand enough to facilitate digging a 12" minimum diameter hole that is a least 60" deep from the theoretical finish grade of the sand playing surface.**
4. **Fill the bottom 10" - 12" of the hole with premixed concrete.**
5. **Center the *SVB210 Ground Sleeve (A)* in the hole after making sure that the *Bottom Cap (B)* is securely attached. Push the sleeve to the depth where the top of the sleeve will be below the theoretical finish grade of the sand approximately 4". Failure to follow this instruction will leave a dangerous protrusion from the sand if the post are removed and the sand is used for other activities.**
6. **Fill the remainder of the hole to approximately 6" below the top of the sleeve with premixed concrete. Make sure concrete is not allowed into the sleeve, A protective *Orange Top Cap (C)* can be used to keep the concrete out if necessary.**
7. **The sleeve should be mounted with a 2 degree outward angle from the court. This will ensure standards remain vertical upon the tensioning of the volleyball net. The fit between the sleeve and the post is intentionally loose for removal even in the sandy outdoor environment.**
8. **Allow the concrete to cure for 7 days prior to use.**
9. **The depth of the sleeve will impact the net height if instruction number 5 above is not followed.**
10. **Refer to the instructions provided with the other components to complete your sand volleyball installation.**
11. ***Orange Top Cap (C)* Is used to keep sand and rain out of sleeve when pole is not installed.**

- ◆ Inspect all contents prior to installation. Report any missing parts to dealer immediately.
- ◆ Read all instructions before proceeding.

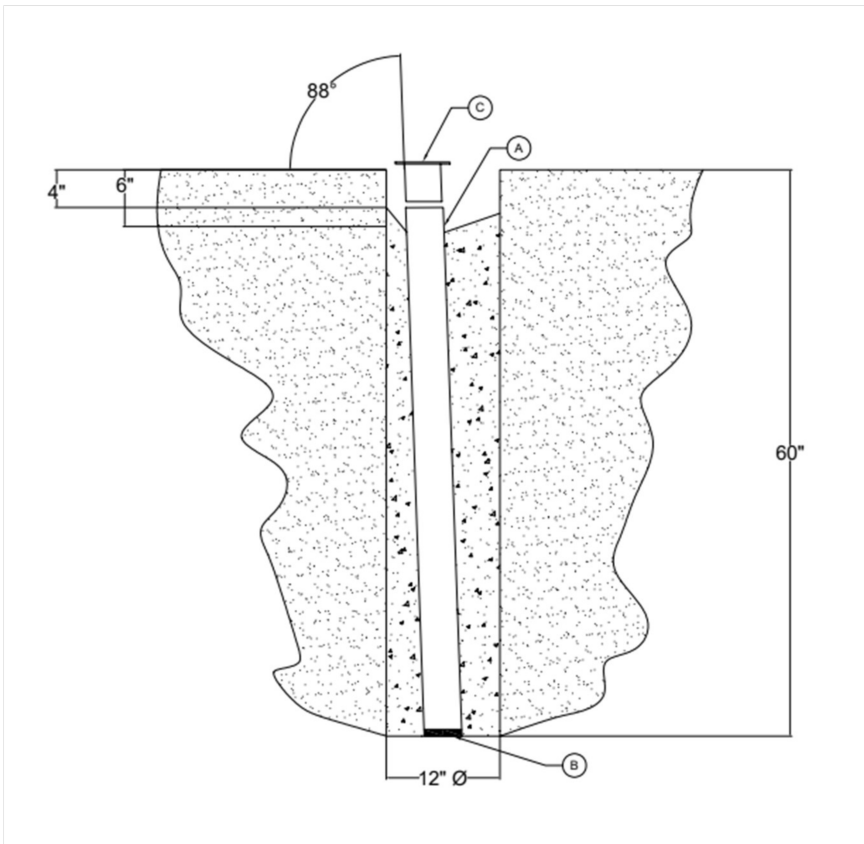


Illustration #1

