

# ST83F AND ST84F ASSEMBLY INSTRUCTION

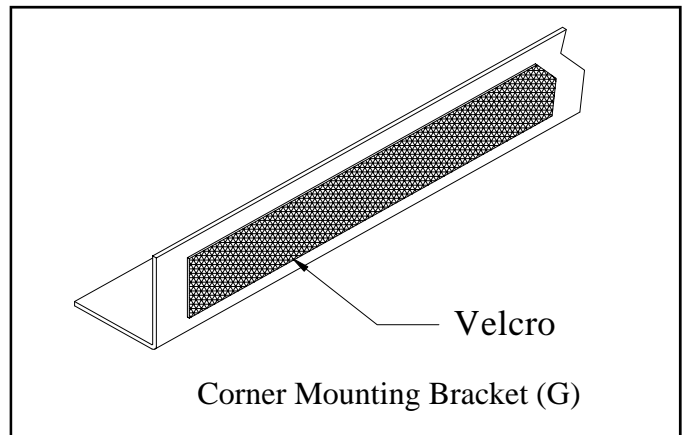
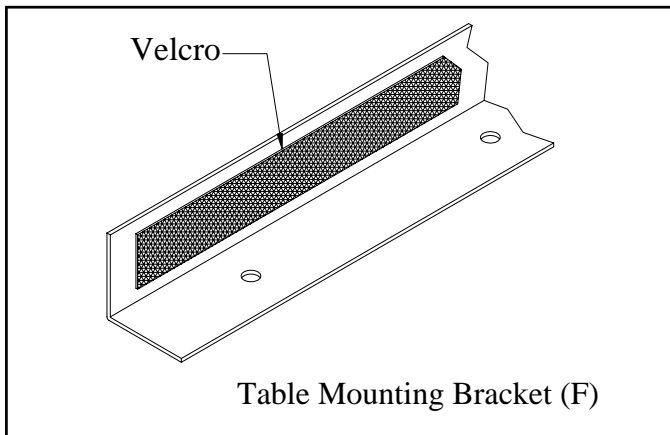


School Spirit Activity Table

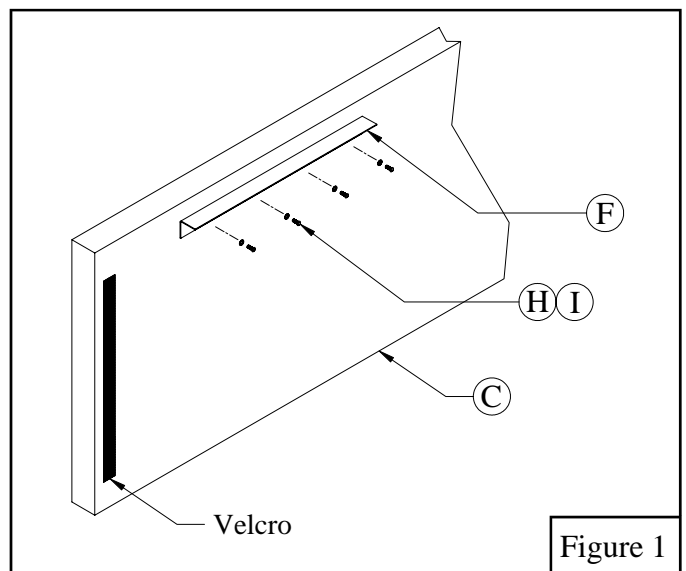
Customer Service  
(800) 247-7668

PARTS LIST					
Item	Qty	Description	Item	Qty	Description
A	1	8' Folding Table	B	4	Velcro™
C	1	Front Pad	D	1	Right Pad
E	1	Left Pad	F	4	Table Mounting Bracket
G	2	Corner Mounting Bracket	H	24	1/4" X 1/2" Machine Screw
I	24	1/4" External Tooth Lock Washer			

- ◆ Inspect all contents prior to installation. Report any missing parts to dealer immediately.
- ◆ Read all instructions before proceeding.



1. Install two *Table Mounting Brackets* (F) to the top back side of *Front Pad* (C) using *1/4" X 1/2" Machine Screws* (H) and *1/4" External Tooth Lock Washers* (I). See Figure 1.
2. Install one *Table Mounting Bracket* (F) to the top (29" ) back side of both the *Right Pad* (D) and *Left Pad* (E) using *1/4" X 1/2" Machine Screws* (H) and *1/4" External Tooth Lock Washers* (I). See Figure 2.
3. Install one *Corner Mounting Bracket* (G) to the back front edge of both the *Right Pad* (D) and *Left Pad* (E) using *1/4" X 1/2" Machine Screws* (H) and *1/4" External Tooth Lock Washers* (I). See Figure 2.



**Note:**  
**Make sure all surfaces are clean and dry prior to attaching Velcro™ strips**

4. Attach one piece of *Velcro* (B) along the edge of each end of the 8' *Folding Table* (A) 3" from the front. Attach two pieces of *Velcro* (B) along the front edge 12 1/2" from each end. See Figure 3.
5. Hang *Front Pad* (C) to the front of 8' *Folding Table* (A) with equal amount of *Front Pad* (C) extending off each side. See Figure 4.
6. Hang *Left Pad* (E) and *Right Pad* (D) on both sides of 8' *Folding Table* (A). Make sure *Corner Mounting Brackets* (G) are secured to the *Velcro* on *Front Pad* (C). See Figure 5.

