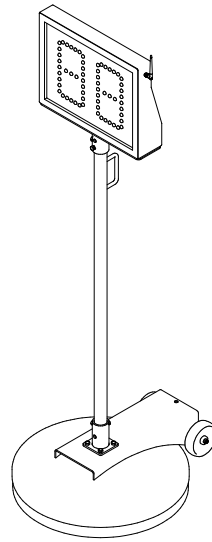
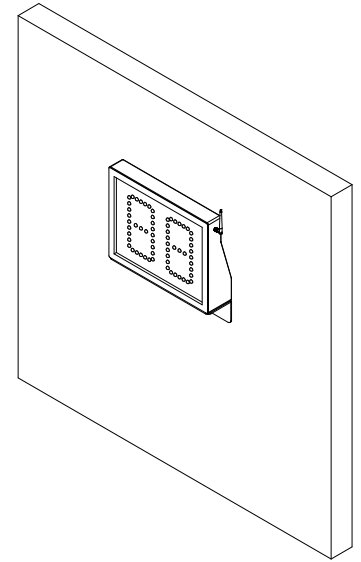


SHCLKBKTBB

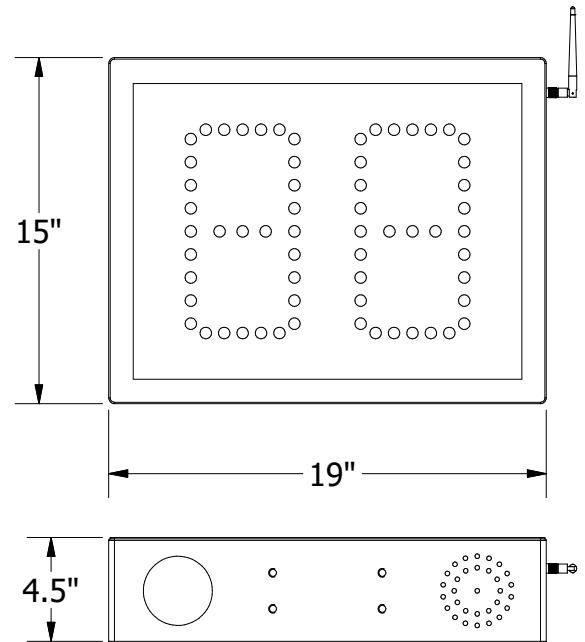


SHCLKBKTFS



SHCLKBKTW

Shot Clock System shall consist of two 15" high x 19" wide black sheet metal enclosures each containing 12" high bright red LED countdown numerals. Each enclosure shall have 4 threaded inserts in the bottom to allow mounting to appropriate backboard, freestanding, or wall mount brackets. Shot clocks shall be controlled simultaneously by a wireless tabletop control panel that transmits data from an antenna on the control panel to an antenna on the shot clock enclosures. LED countdown clock shall be preset for 35 second countdown but shall be capable of being reprogrammed in the field to meet other rule requirements. Control panel shall include a preset, non changeable countdown 20 second reset button. Each shot clock enclosure and the control panel shall require connection to a 110 volt AC power source. **SHCLK200 System shall be designed to operate independently from the scoreboard.** Operation of two shot clock systems in single multi event spaces requires special information available from the manufacturer. An operation manual shall be included in each system but is also available using the QR code located on the control panel housing. System shall include 2 shot clock enclosures, one control panel, and all necessary cables.



Optional SHCLKBKTBB Backboard Mounting Bracket shall be fabricated steel that positions the bottom of the shot clock 6" above the top of the backboard and 6" behind the face of the backboard. Use of SHCLKBKTBB shall require drilling holes into the top of the backboard frame to allow mounting. Shall be sold in pairs.

Optional SHCLKBKTFS Portable Residential Style Shot Clock Stands shall mount to the bottom of shot clock enclosure 60" above floor level, and shall include a 24" diameter domed steel base with two urethane wheels for transport when tipped backwards. All steel construction shall be powder coated black. Shall be sold in pairs.

Optional SHCLKBKTW shall allow Shot Clock Bracket enclosure to be mounted to walls behind or adjacent to the backboard by means of customer supplied wall anchors. Steel brackets shall be powder coated black and be sold in pairs.



PRODUCT SPECIFICATION
SHCLK200 SHOT CLOCK SYSTEM

REVISED 3/13/23