

— Instruction Manual —
 IN GROUND ALUMINUM SOCCER GOALS

SC2480IGA, SC2170IGA, SC1865IGA, SC1265IGA, AND SC0945IGA



Customer Service
 (800) 247-7668

PARTS LIST					
Item	Qty	Description	Item	Qty	Description
A	2	Crossbar	K	8	5/16" x 1" Carriage Bolt
B	4	Upright	L	8	5/16" Flat Washer
C	4	90° Corner	M	20	5/16" x 2 3/4" Hex Bolt
D	8	Short Inner Tube	N	28	5/16" Nylon Lock Nut
E	12	Connecting Bar	O	16	Net Ground Stake
F	4	Optional SC44S Ground Sleeves w/ Caps	P	100	Net Attachment Clip
G	4	Long Inner Tube	Q	2	Net
H	4	SC02BSA European Backstay			
I	4	Backstay Mounting Bracket			
J	40	3/8" x 1" Hex Bolt			

- ◆ Inspect all contents prior to installation. Report any missing parts to dealer immediately.
 - ◆ Read all instructions before proceeding.
1. Preassemble all 90° Corners (C) with Short Inner Tubes (D) using Connecting Bars (E) and 3/8" x 1" Hex Bolts (J). Insert the Short Inner Tube (D) into the 90° Corner (C) leaving approximately 7" of the Short Inner Tube (D) protruding. Slide Connecting Bar (E) into channel on Short Inner Tube (D) until two threaded holes in the Connecting Bar (E) line up with 2 holes in the Short Inner Tube (D) and the 90° Corner (C). Install 3/8" x 1" Hex Bolts (J), 4 places per 90° Corner (C). See Figures 1, 2, and 3.
 2. Position one Crossbar (A), two Uprights (B), and two 90° Corner sub assemblies on the ground with the net attachment tracks facing upward, in close proximity to the goal line at each end of the playing field. Assemble the goal on the ground and raise as a unit into position.
 3. Attach Crossbar (A) to the 90° Corner (C) assemblies by sliding Crossbar (A) onto the protruding Short Inner Tube (D). Install two 3/8" x 1" Hex Bolts (J) per end. See Figure 2 and 3.
 4. Attach both Uprights (B) to the 90° Corner (C) assemblies by sliding the Uprights (B) onto the protruding Short Inner Tubes (D). Install two 3/8" x 1" Hex Bolts (J) per end. See Figure 2 and 3.
 5. To install European Backstays (H) insert the head of two 5/16" x 1" Carriage Bolts (K) into the net attachment tracks at the bottom of each Upright (B) and slide upward to approximate position. Loosely attach Backstay Mounting Bracket (I) using 5/16" Flat Washer (L), 5/16" Nylon Lock Nut (N). See Figure 2.

6. Insert each *Backstay* (H) into the welded attachment tubes located on the *90° Corner* (C) and the *Backstay Mounting Brackets* (I). Install and tighten a *5/16" x 2 3/4" Hex Bolt* (M) and a *5/16" Nylon Lock Nut* (N) at each location. Tighten the *Backstay Mounting Bracket* (I) hardware. See Figure 2 and 3.
7. Slide the *Connecting Bar* (E) into the *Long Inner Tube* (G) through the channel so that at least 2 holes are lined up. Slide the *Ground Sleeves* (G) into the bottom of the *Uprights* (B). Install two *3/8" x 1" Hex Bolts* (J) on each. The *Long Inner Tube* (G) should be protruding 23 1/2" below the *Upright* (B). See Figure 3.
8. Dig holes a minimum of 8" in diameter and at least 30" deep on the goal line. It is advisable to bell out the bottom of the holes to improve goal stability. Make sure the goal is centered on the field before digging. The front surface of the goal should be even with the front edge of the goal line when installed. The distance between the holes will be determined by the purchased goal size. The 24' x 8' goal requires the holes to be 24'4" apart on center, the 21' x 7' goal requires the holes to be 21'4" apart on center, the 18 1/2' x 6 1/2' goal requires the holes to be 18'10" apart on center, the 12' x 6 1/2' goal requires the holes to be 12'4" apart on center, and the 9' x 4 1/2' goal requires the holes to be 9'4" apart on center.
9. Plan on having 2" x 4" wood bracing materials available prior to mixing the concrete to help insure that the *Uprights* (B) are plumb and the *Crossbar* (A) is level and at the correct height.
10. If you are not using *Optional SC44S Ground Sleeves* (F) proceed to instruction number 12.

NOTE:

If using *Optional SC44S Ground Sleeves* (F) use cap to protect *Optional SC44S Ground Sleeves* (F) when goal is removed.

11. When installing *Optional SC44S Ground Sleeves* (F) it is critical that the ground sleeves are precisely positioned in the concrete footing to insure easy installation and removal of the goal. For best results slide the ground *Optional Ground Sleeves* (F) onto the complete assembled goal and temporarily attach with duct tape to the *Upright* (B). Place the entire goal / ground sleeve assembly into the concrete footing using 2" x 4" wood bracing to insure that everything is plumb, level, the correct height, and properly positioned to the field.
12. It will take approximately three to four 1/3 cubic feet bags of concrete for each hole depending on the actual size you dig your holes. Please allow 7 days for the concrete to completely cure before removing wood bracing.
13. To install the *Net* (Q) position *Net Attachment Clips* (P) into the slots in each *Upright* (B), and *Crossbar* (A) approximately 12" - 18" apart. The *Net Attachment Clips* (P) slip into the slot and twist 90° into position with the opening to the outside of the goal. See Figure 3.
14. Using the *Net Ground Stakes* (O), evenly spaced, anchor the bottom of your net to the turf.

Figure 1

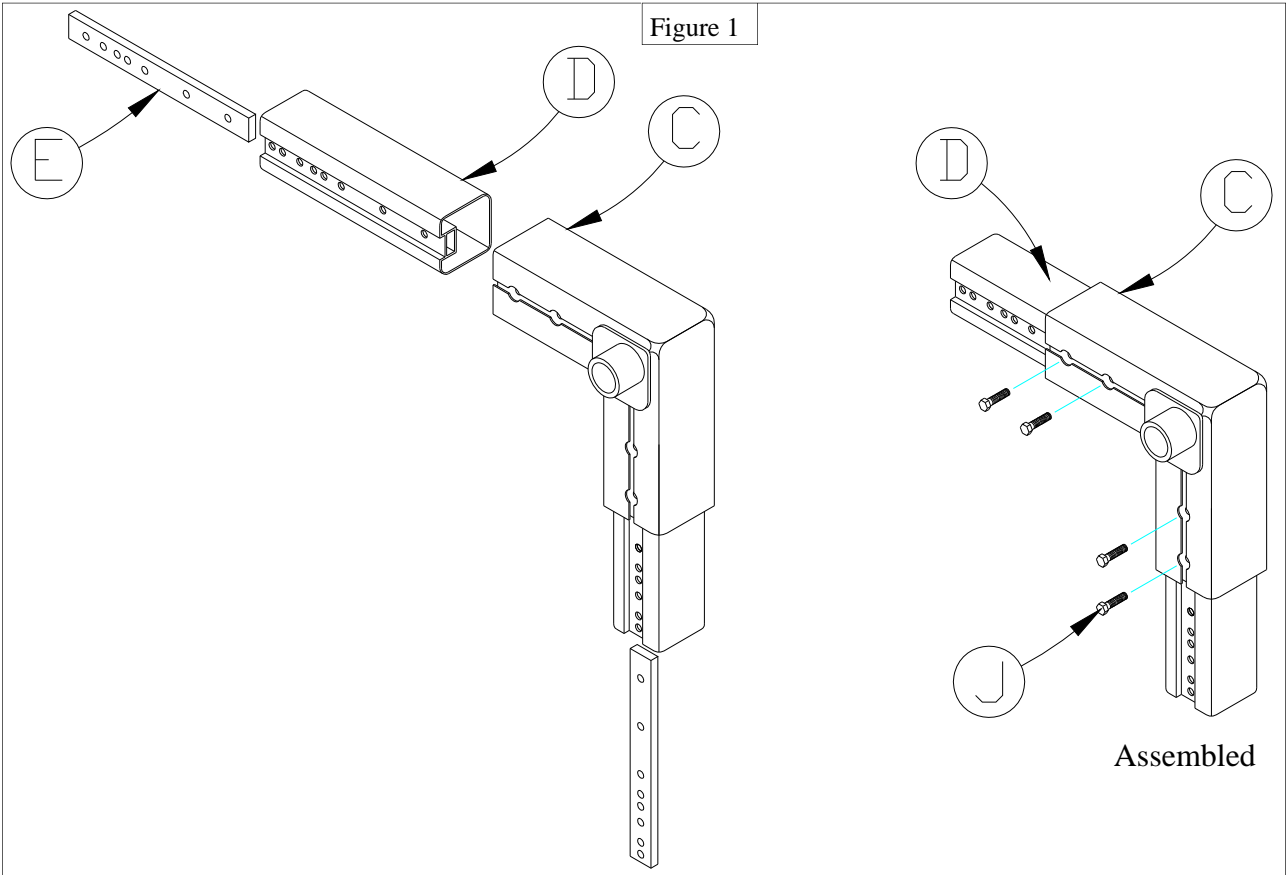
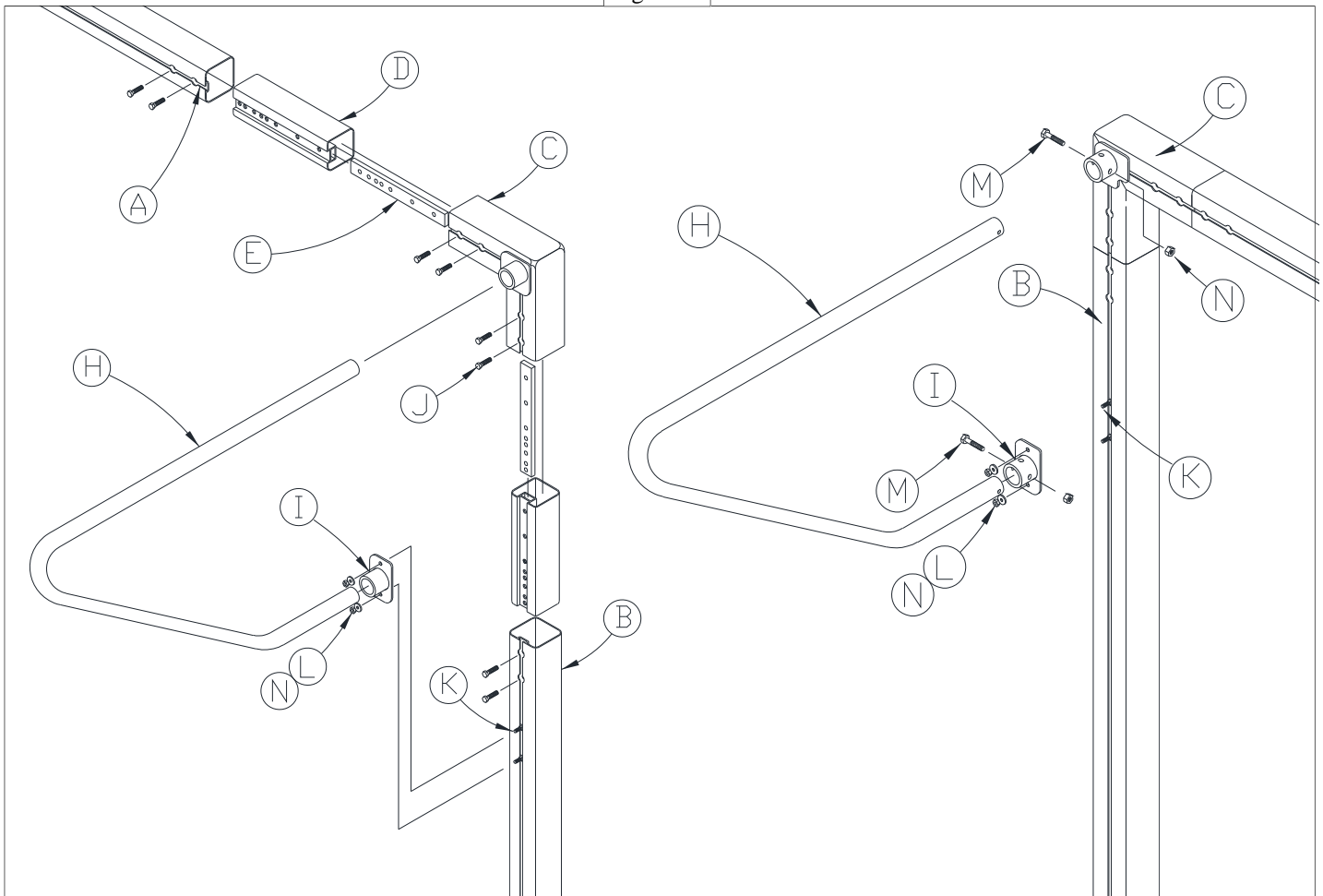


Figure 2



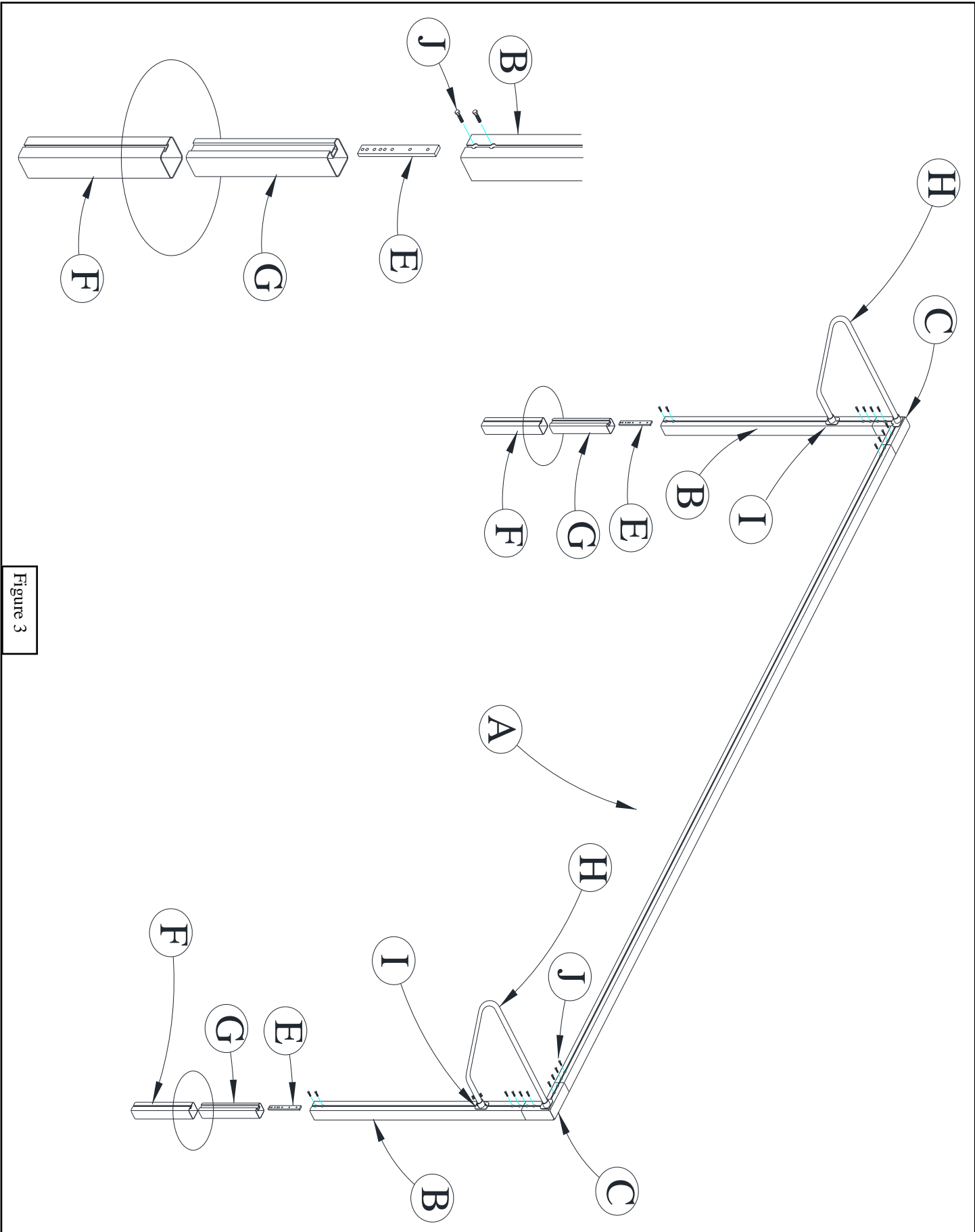


Figure 3