

Assembly and Safe Use Manual

ALL ALUMINUM NoTip™ 4" SQUARE SOCCER GOALS

SC2480PA44XL

WARNING!

It is imperative that all **Portable Soccer Goals** be used only in accordance with safety guidelines contained in these instructions as well as those found on the safety warning labels attached to the goals. Failure to do so can cause serious injury or death.

NOTICE:

**THESE PORTABLE ALUMINUM SOCCER GOALS MEET ASTM F2950-14
SAFETY AND PERFORMANCE STANDARD**

IMPORTANT SAFETY INSTRUCTIONS!

- 1. Check for structural integrity and proper connection hardware before every use. Replace damaged or missing parts or fasteners immediately.**
- 2. Ensure safety/warning labels are clearly visible.**
- 3. Securely anchor or counterweight movable soccer goals at ALL times following the instructions in this manual.**
- 4. Always instruct players, managers, coaches, trainers, teachers, maintenance and all other personnel who might come into contact with the goal on the safe handling of and potential dangers associated with movable soccer goals.**
- 5. Always exercise extreme caution when moving goals and allow adequate manpower to move goals of varied size and weights. Movable soccer goals should only be moved by authorized and trained personnel.**
- 6. NEVER allow anyone to climb on the net or goal framework.**
- 7. Movable soccer goals should only be used on LEVEL fields, NEVER on a slope or hill area.**
- 8. Remove nets when goals are not in use unless area is secure.**
- 9. Most of the tip over injuries occurred when goals were unattended. Anchor or chain one goal to another or to nearby fence posts, dugouts, or any other similar sturdy fixture when not in use. If this is not practical, store movable soccer goals in a place where children cannot have access to them.**
- 10. Fully disassemble goals for seasonal storage.**

- ◆ Inspect all contents prior to installation. Report any missing parts to dealer immediately.
- ◆ Read all instructions before proceeding.

PARTS LIST (FOR ONE PAIR OF GOALS—2 HARDWARE BOXES)

Item	Qty	Description	Item	Qty	Description
A	4	Crossbar Section	K	4	Ballast Drum
B	2	39" Inner Connecting Tube	L	4	Plug (preinstalled in Ballast Drums)
C	4	Goal Side Assemblies (2 LH, 2 RH)	M	8	3 3/4" Washer
D	4	Short Inner Connecting Tube	N	100	Net Attachment Clip
E	6	Connecting Bar	O	25	8" White Cable Tie
F	24	3/8" X 1" Hex Bolt	P	4	5/8" X 3" Hex Bolt
G	4	Backstay Spreader Tube Section	Q	4	5/8" Lock Washer
H	2	Spreader Bar Connecting Tube	R	2	Net
I	32	#14 X 3/4" Self Drilling Hex Screw	S	4	Net Retention Bar
J	1	3/8" Hex Magnetic Screw Drive Socket			

1. Remove the 39" Inner Connecting Tube (B), Connecting Bar (E) and 3/8" X 1" Hex Bolts (F) from inside each Crossbar Section (A) box. See Figure 1.
2. Place two Crossbar Sections (A) end to end with the rear net attachment track facing upward. Insert the 39" Inner Connecting Tube (B) approximately 19 1/2" into Crossbar Section (A). Use Connecting Bars (E) and 3/8" X 1" Hex Bolts (F) to complete assembly of 2 piece crossbars as shown. See Figure 1.
3. Insert the Short Inner Connecting Tubes (D) into each end of the Crossbar Assemblies from instruction #2 above leaving two holes in the Connecting Bars (E) exposed for Goal Side Assemblies (C) attachment. Install two 3/8" X 1" Hex Bolts (F) at each end of the Crossbar Assemblies. See Figure 2.
4. Lay Goal Side Assemblies (C) from instruction #2 above and Crossbar Assemblies on the ground with the net attachment tracks facing upward. Note: There are lefthand and righthand assemblies. See Figure 2.
5. Attach the Crossbar Assemblies to the Goal Side Assemblies (C) by sliding Goal Side Assemblies (C) onto the end of each Crossbar Assembly and installing two 3/8" X 1" Hex Bolts (F) at each end. See Figure 2.

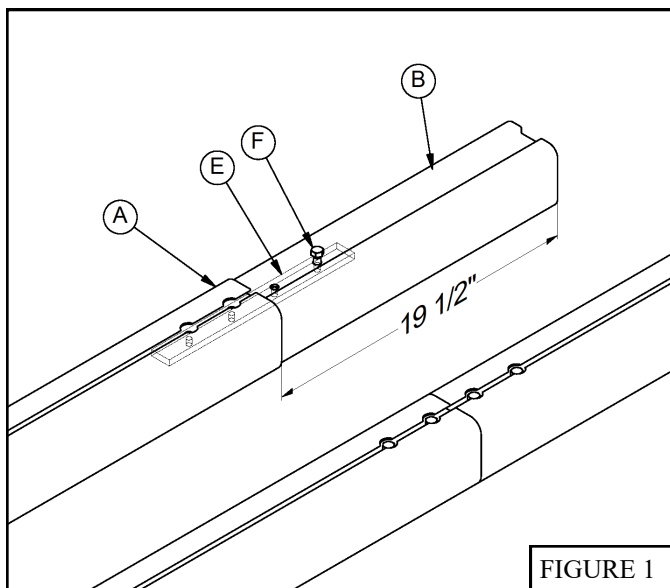


FIGURE 1

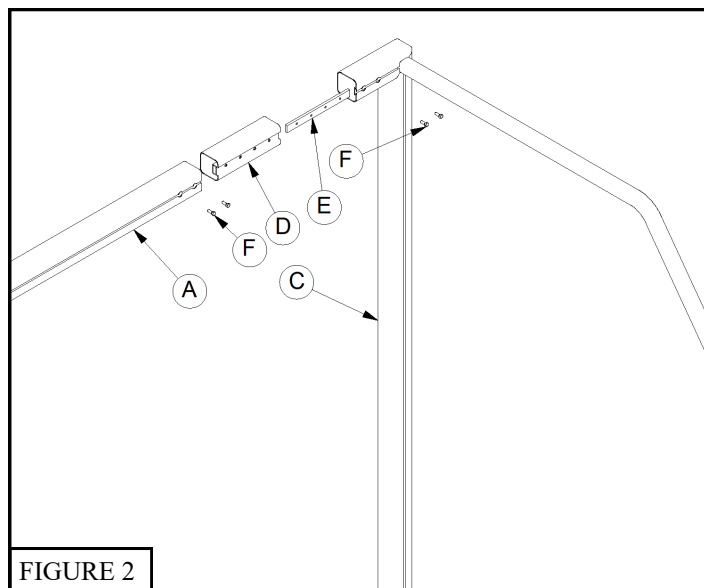
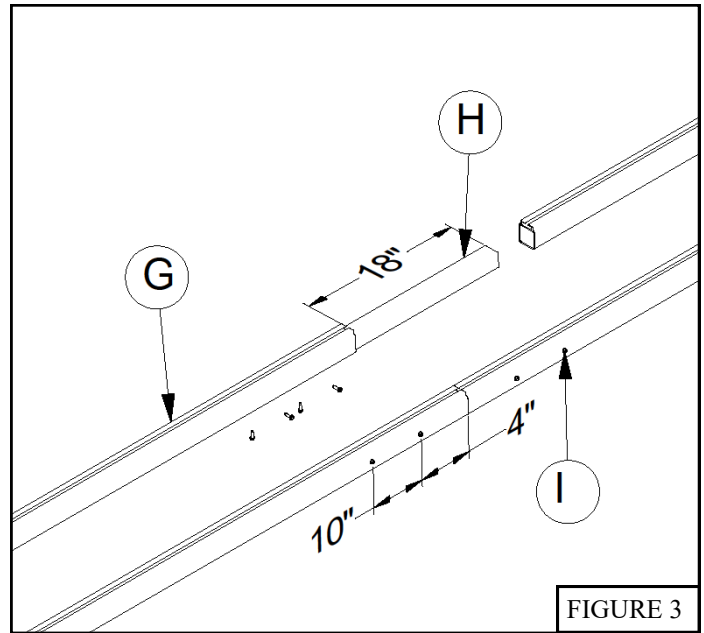


FIGURE 2

6. Lay two *Backstay Spreader Tube Sections* (G) end to end with the *Net Attachment Clip* (N) track lined up. See Figure 3.
7. Insert *Spreader Bar Connecting Tubes* (H) approximately 18" into the open ends of two *Backstay Spreader Tube Sections* (G), with the ends of the *Backstay Spreader Tube Sections* (G) touching. See Figure 3.
8. Using eight #14 X 3/4" *Self Drilling Hex Screws* (I) and 3/8" *Hex Magnetic Screw Drive Socket* (J) with a power screw driver, connect each pair of *Backstay Spreader Tube Sections* (G). Screws should be installed in two rows 90° apart, spaced approximately as shown. See Figure 3.



WARNING!

GOAL TIP OVER CAN CAUSE SERIOUS INJURY OR DEATH, PLEASE CAREFULLY READ AND UNDERSTAND THE IMPORTANCE OF THE BALLAST DRUM FILLING INSTRUCTION

9. Fill each *Ballast Drum* (K) completely with sand, making sure the sand is compacted. They should hold approximately 60-75 pounds of sand each. Once full, reinstall the *Plug* (L) and tighten securely to ensure that no sand can escape.
10. Slide the *Ballast Drums* (K), *Net Retention Bars* (S) and 3 3/4" *Washers* (M) onto each end of the Backstay Spreader Bar Assembly. See Figure 4.
11. Carefully tip the entire goal assembly into the upright playing position. Use 5/8" X 3" *Hex Bolts* (P) and 5/8" *Lock Washers* (Q) to attach the Backstay Spreader Assemblies to the *Goal Side Assemblies* (C). See Figure 4.
12. Position the *Ballast Drums* (K) and the *Net Retention Bars* (S) equally spaced on each end of the Spreader Tube Assemblies. Note that the *Net Retention Bars* (S) are set at an angle equal to the angle of the *Goal Side Assemblies* (C). Attach the *Net Retention Bars* (S) to the *Backstay Spreader Tube Sections* (G) using two #14 X 3/4" *Self Drilling Hex Screws* (I) per mounting tube. See Figure 4.
13. *Install Net Attachment Clips* (N) into the slots in the rear face of the goal, the lower backstay and the Backstay Spreader Assemblies spaced approximately 16"-24" intervals. The *Net attachment Clips* (N) slip into the slot and twist 90° into position with the opening to the outside of the goal.
14. Drape the *Net* (R) over the backstays and attach to the *Net Attachment Clips* (N) on the rear face of the goal. A rope is woven into the *Net* (R) behind the top front to attach to the left hand and right hand backstays to help support the *Net* (R). Use 8" *White Cable Ties* (O) to attach *Net* (R) to the *Net Retention Bars* (S) and where *Net Attachment Clips* (N) are not present.

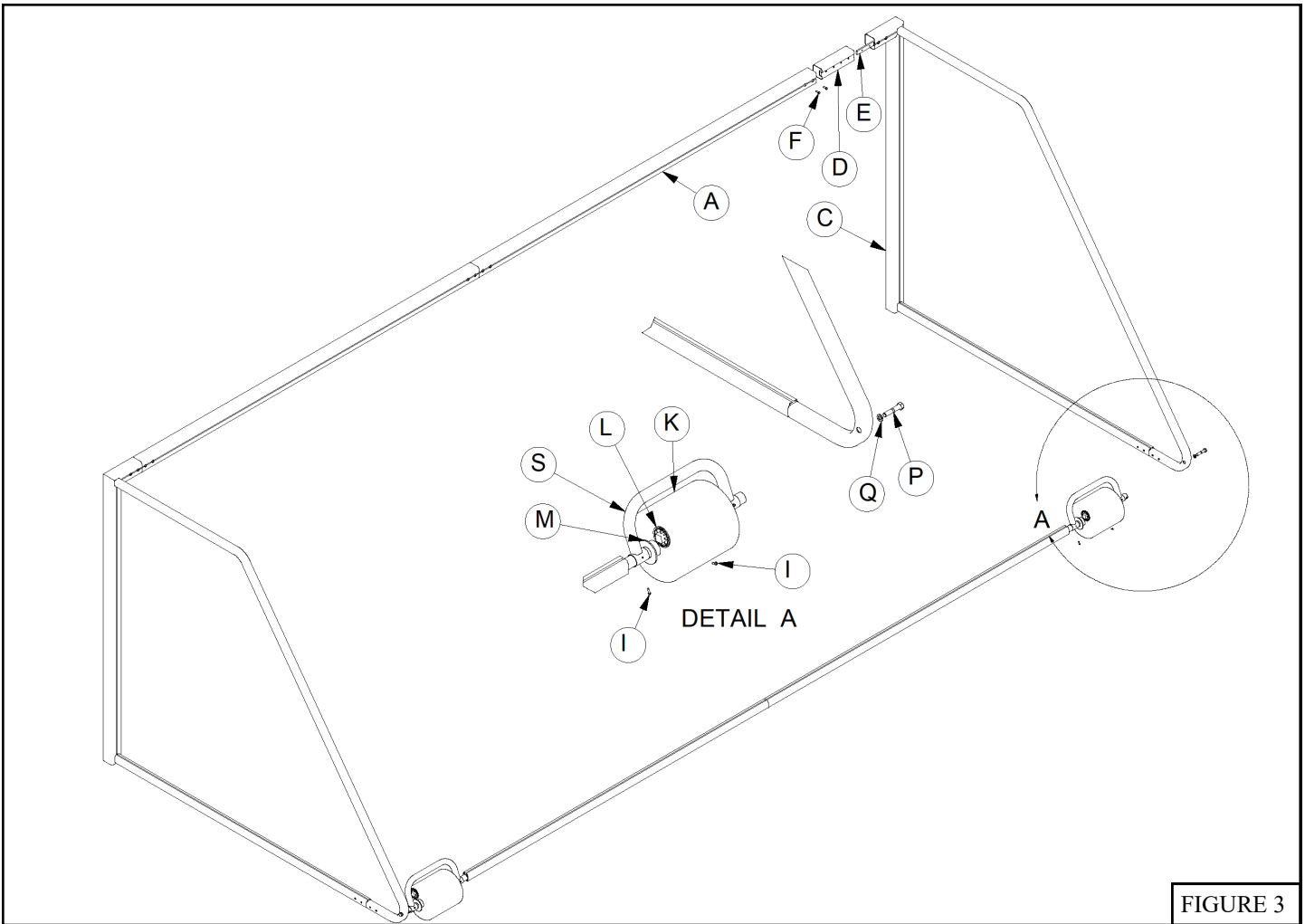


FIGURE 3

WARNING LABEL

WARNING

ALL SOCCER GOALS

- NEVER CLIMB OR HANG ON GOAL OR NET.
- CLIMBING, HANGING, OR OTHER NON-INTENDED USES OR FAILURE TO PROPERLY INSTALL GOALS CAN CAUSE SERIOUS INJURY OR DEATH.
- REGULARLY CHECK ALL FASTENERS PRIOR TO USE.
- CONSIDER PADDING GOAL UPRIGHTS.

PORTABLE SOCCER GOALS

GOALS MUST BE ANCHORED OR COUNTER-WEIGHTED AT ALL TIMES.
UNSECURED GOALS MAY FALL OVER CAUSING SERIOUS INJURY OR DEATH.

APPROVED OPTIONS:

- PURCHASE NO-TIP™ SOCCER GOAL AND FILL BALLAST DRUM COMPLETELY WITH SAND.
- SECURE WITH AUGER-STYLE GROUND ANCHORS (2 PER GOAL MINIMUM).
- COUNTERBALANCE WITH WEIGHTS ON REAR (125# MINIMUM).

THIS GOAL MEETS ALL SAFETY AND PERFORMANCE STANDARDS OF ASTM F2950-14.

FOR TECHNICAL INFORMATION
CALL 800-247-7668

SOPA #3