

— Instruction Manual —

SC04WK

Portable Soccer Goal Wheel Kit



Customer Service
(800) 247-7668

PARTS LIST					
Item	Qty	Description	Item	Qty	Description
A	4	Wheel	F	4	5/8" X 3" Carriage Bolt
B	4	Wheel Lever	G	4	1/2" X 1" Carriage Bolt
C	4	Lever Bracket	H	4	5/8" Lock Nut
D	4	Hand Knob	I	4	1/2" Lock Nut
E	4	Wing Nut	J	12	U-Bolt Saddle Clamp Assembly

- ◆ Inspect all contents prior to installation. Report any missing parts to dealer immediately.
- ◆ Read all instructions before proceeding.

Ensure that the saddle components are positioned as shown.

1. Install *Lever Bracket (C)* onto the backstay with the *U-Bolt Saddle Clamp Assembly (J)*. This wheel assembly works the best when you install as close to the vertical uprights as possible. Make sure the vertical leg of the *Lever Bracket (C)* is positioned to the outside of the goal and level. See Figure 1.
2. Attach *Wheel (A)* to *Wheel Lever (B)* in the larger of the two square holes with the *5/8" X 3" Carriage Bolt (F)* and *5/8" Lock Nut (H)*. One side of the *Wheel (A)* has a hub that allows clearance for the *Wheel Lever (B)* and you want the *Lock Nut (H)* on the outside of the wheel. Keep in mind that you will need a right and left assembly, it is best to lay all of the parts out next to each upright, orient prior to assembly. Once you have both *Wheels (A)* assembled onto the *Wheel Levers (B)* you can now attach the *Wheel Lever (B)* to the *Lever Bracket (C)* with the *1/2" X 1" Carriage Bolt (G)* and the *1/2" Lock Nut (I)*. Make sure the *1/2" X 1" Carriage Bolt (G)* is firmly seated in the square hole on the *Wheel Lever (B)*. Tighten hardware and back off 1/2 turn until the *Wheel Lever (B)* can rotate freely. See Figure 1.
3. Use the *Hand Knob (D)* and *Wing Nut (E)* to lock *Wheel (A)* in position for transport. Once goal is positioned for play remove *Hand Knob (D)* and *Wing Nut (E)*. Rotate Wheel up and back until resting on the playing surface away from the front of the goal. Replace *Hand Knob (D)* and *Wing Nut (E)* into the *Wheel Lever (B)* for storage. See Figure 2.

FIGURE 1

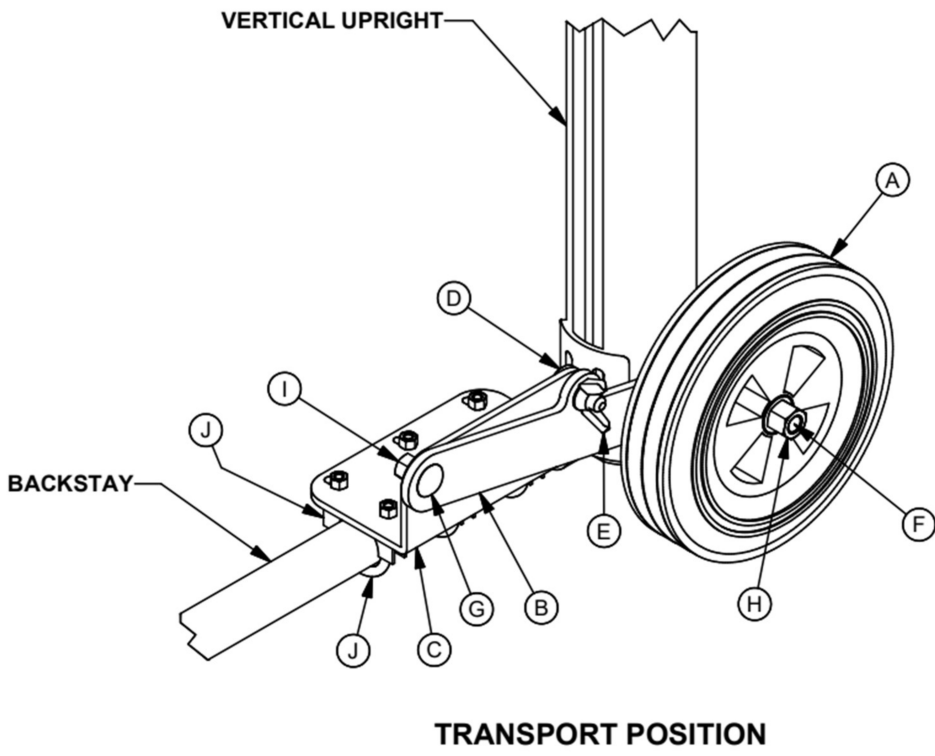


FIGURE 2

