

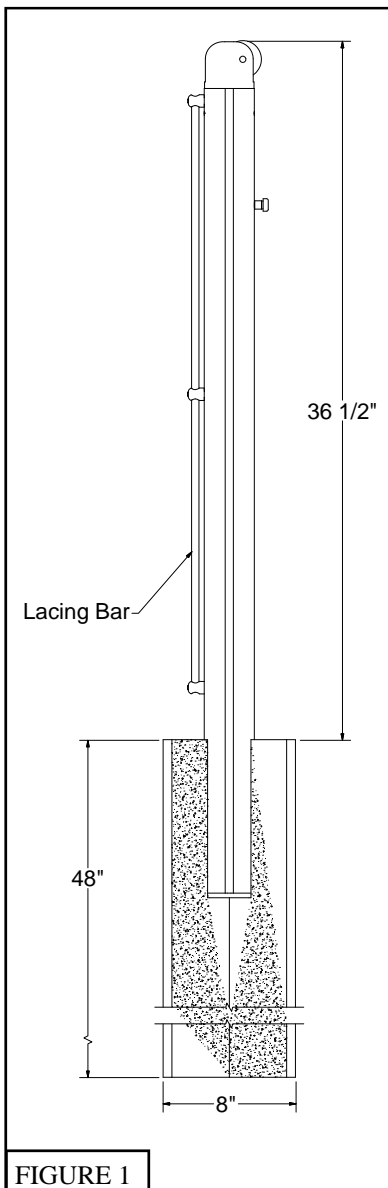
# PK10XL

## Competition Pickleball System

PARTS LIST					
Item	Qty	Description	Item	Qty	Description
A	1	Winch Post	E	1	TN10CS Center Court Hold Down Strap
B	1	Non-Winch Post	F	1	TNCSA Center Strap Anchor
C	1	Removable Winch Handle	G	2	Lacing Cord
D	1	PK10NXL Pickleball Net	H	2	PK23 or PK235 Socket (Optional)

- ◆ Inspect all contents prior to installation. Report any missing parts to dealer immediately.
- ◆ Read all instructions before proceeding.

1. Use the attached court diagram to determine where to locate and dig two 8" round and 48" deep holes 22 feet apart. See Figure 1.



2. Insert *Winch* (A) and *Non-Winch* (B) posts into the holes with the lacing bars facing the pickleball court and fill holes with concrete. Each hole will require between 6 and 8 1/3 cubic foot bag of concrete. Make sure to brace posts while concrete is curing to maintain the 36 1/2" dimension and ensure the post remain perpendicular to the court surface. See Figure 1.

3. Dig one 8" round and a minimum 12" deep hole centered between the two pickleball posts (make sure to bell out the bottom of the hole). Insert *TNCSA Center Strap Anchor* (F) with the strap retaining bar running parallel with the *PK10NXL Net* (D) and fill hole with concrete. The hole will require 2 to 3 1/3 cubic bags of concrete. See Figure 2.

4. Concrete must cure 7-10 days before continuing with *PK10NXL Pickleball Net* (D) installation.

5. Stretch out *PK10NXL Pickleball Net* (D) across the court.

**Note:**

Use models *PK23 or PK235* (H) for removable post installation. Use instructions provided with these sockets for installation procedure.

6. Hook the loop on the *PK10NXL Pickleball Net* (D) top cable around the net retaining pin on *Non-Winch Post* (B) and over the top pulley. See Figure 3.

7. Cut off loop and remove 12" of nylon cable coating from the top net cable, insert cable into the winch cable hole on the *Winch Post* (A). Use the *Removable Winch Handle* (C) to crank cable until you achieve 34" at the center of *PK10NXL Pickleball Net* (D). See Figure 4.

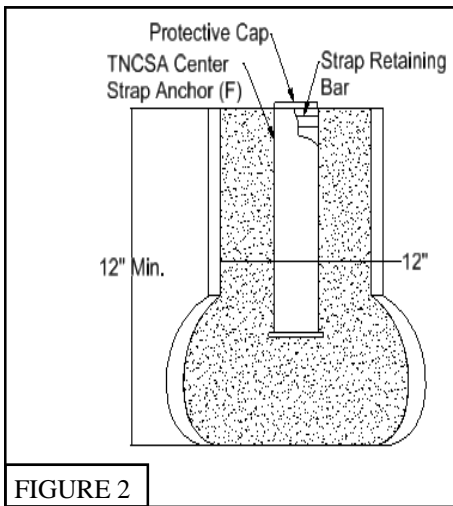


FIGURE 2

8. Insert dowels through the end side tapes of *PK10NXL Pickleball Net (D)*.
9. Square up *PK10NXL Pickleball Net (D)* to each post, use *Lacing Cord (G)* to secure *PK10NXL Pickleball Net (D)* to each post. See Figure 3.
10. Attach *TN10CS Center Court Hold Down Strap (E)* to the strap retaining bar in the *TNCSA Center Strap Anchor (F)*. Adjust *TN10CS Center Court Hold Down Strap (E)* so top of *PK10NXL Pickleball Net (D)* measures 34" at the center. See Figure 2.

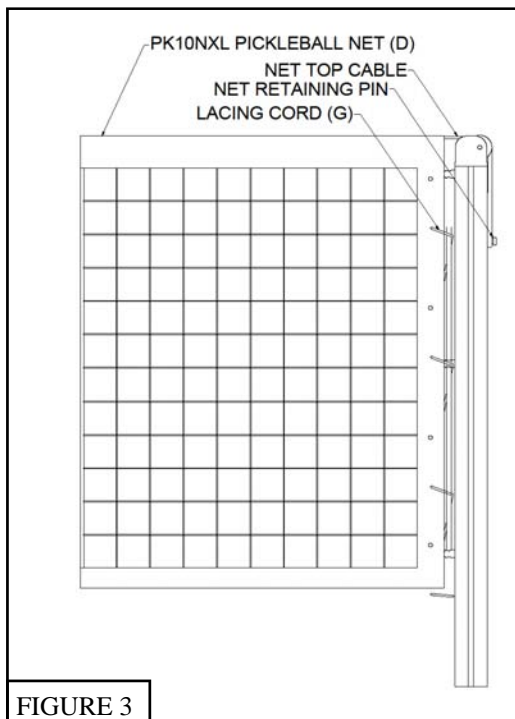


FIGURE 3

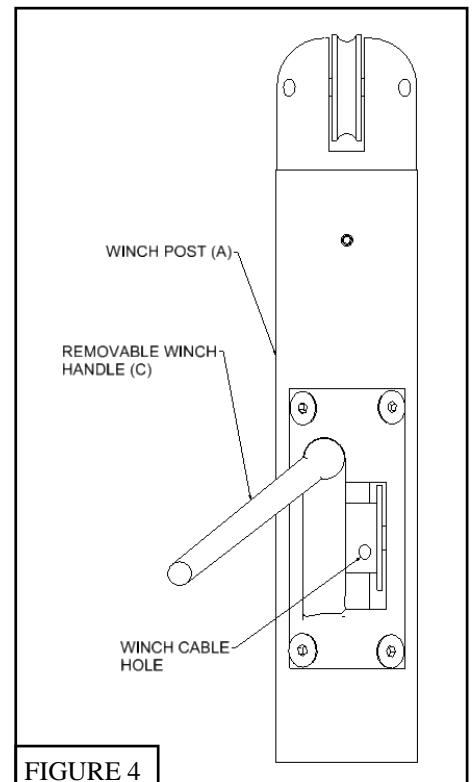


FIGURE 4

