

— Instruction Manual —

PB130

Portable Game Base

PARTS LIST					
Item	Qty	Description	Item	Qty	Description
A	1	Base	F	1	3/8" X 3" Hex Bolt
B	1	Pole Socket	G	3	3/8" Lock Nut
C	2	Wheel	H	2	3/8" X 2 1/2" Full Thread Hex Bolt
D	1	Pole	I	2	3/8" Jam Nut
E	6	3/8" X 1" Hex Bolt	J	2	PB150C Portable Game Collar

- ◆ Inspect all contents prior to installation. Report any missing parts to dealer immediately.
- ◆ Read all instructions before proceeding.

1. Remove *Base (A)* from the shipping pallet. Please use caution turning *Base (A)* over to playing position as it is weighted for stability.
2. Use the *3/8" X 2 1/2" Full Threaded Hex Bolts (H)*, *3/8" Jam Nuts (I)* and *3/8" Lock Nuts (G)* to install *Wheels (C)* onto *Base (A)*. See Figure 1.
3. Attach the *Pole Socket (B)* to the *Base (A)* with the *3/8" X 1" Hex Bolts (E)*. See Figure 1.
4. Insert *Pole (D)* into *Pole Socket (B)*. Use the *3/8" X 3" Hex Bolt (F)* and *3/8" Lock Nut (G)* to secure *Pole (D)* in *Pole Socket (B)*. Use two *3/8" X 1" Hex Bolts (E)* to secure *Pole (D)* to *Pole Socket (B)*. See Figure 2.
5. Use *PB150C Portable Game Collars (J)* for net attachment. See Figure 2.

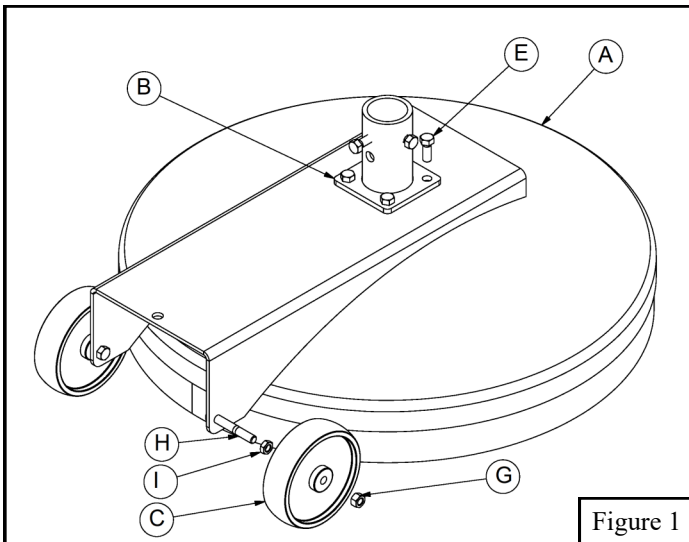


Figure 1

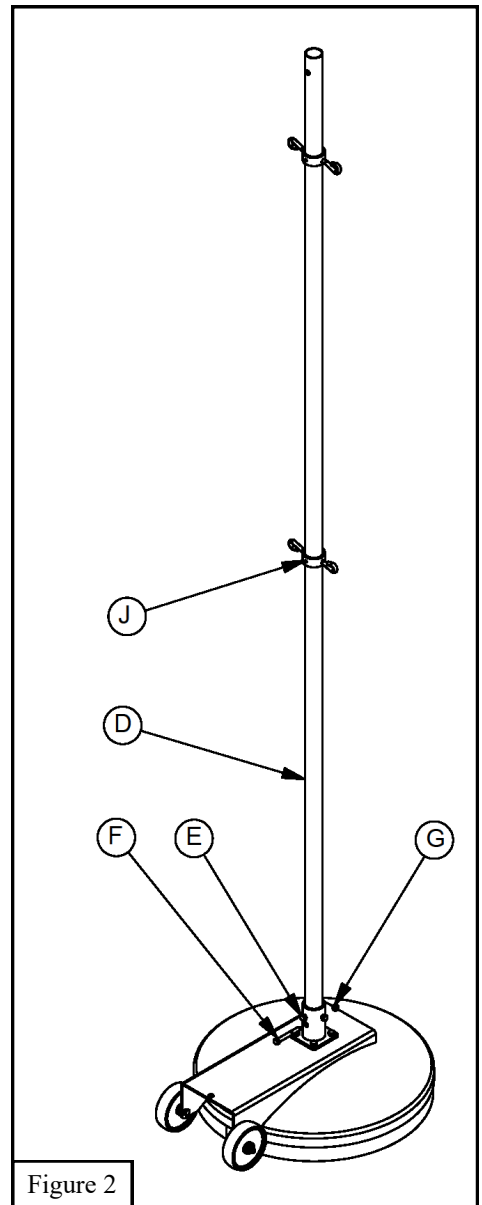


Figure 2