

— Instruction Manual —

BISON GOOSENECK FOOTBALL 1 PAIR OF GOAL POSTS



Customer Service
(800) 247-7668

PARTS LIST

Item	Qty	Description	Item	Qty	Description
A	2	GOOSENECK POLE	I	4	UPRIGHTS
B	2	BAND CLAMP	J	4	CROSSBAR END CAPS
C	2	5/16" X 2" CARRIAGE BOLTS	K	4	CROSSBAR WASHER PLATE
D	2	"T" ADAPTER	L	8	5/8" X 1 1/2" HEX BOLTS
E	2	CROSSBAR (18'-6" COLLEGIATE - 23'-4" HIGH SCHOOL)	M	8	5/8" LOCK WASHERS
F	1	1/4" ALLEN WRENCH	N	2	5/16" HEX NUTS
G	8	1/2" X 1/2" SET SCREWS	O	4	3/8" ROLL PIN
H	16	1/2" X 1" FULL THREADED HEX BOLTS	P	8	3/8-16 x 1" HEX BOLT

- ◆ Inspect all contents prior to installation. Report any missing parts to dealer immediately.
 - ◆ Read all instructions before proceeding.
1. You will need to locate each gooseneck pole so that it is centered on the playing field. See chart for the distance behind the end line to locate the pole for each model. Dig a 24" diameter hole that is a minimum of 48" deep at each of these locations, it is recommended to bell out the bottom of the hole to 36" to strengthen the footing. See Figure 1. If you are using Bison ground sleeves refer to those instructions for the proper hole depth and diameter.
 2. Make sure that you have a broomstick or similar pole to vibrate air pockets and settle the concrete. The 24" diameter by 48" deep hole with a bell shape per figure 1, will require approximately .73 cubic yards (20 cubic feet) of 3000 PSI concrete. This equates to approximately 47 60# bags of premix concrete. You will need to adjust the amount depending on the size of hole you prepared. Have the proper amount of concrete before you start to ensure proper strength of the footing.

CAUTION!! IF THE GOOSENECK IS INCORRECTLY INSTALLED, THE POLE WILL BE IMPOSSIBLE TO ADJUST

3. Before mixing concrete you will need to prepare bracing and plan orientation of gooseneck upright. The top of the gooseneck pole, where the crossbar attaches, will need to be 10' from playing surface. Use a 2 x 4 that is cut to an appropriate length and brace the bottom of the vertical portion of the pole at the very end. Additional bracing may be required to hold the pole in its proper position. See figure 2. Orient the top (horizontal) portion of the gooseneck pole parallel to the side lines and perpendicular to the end line.

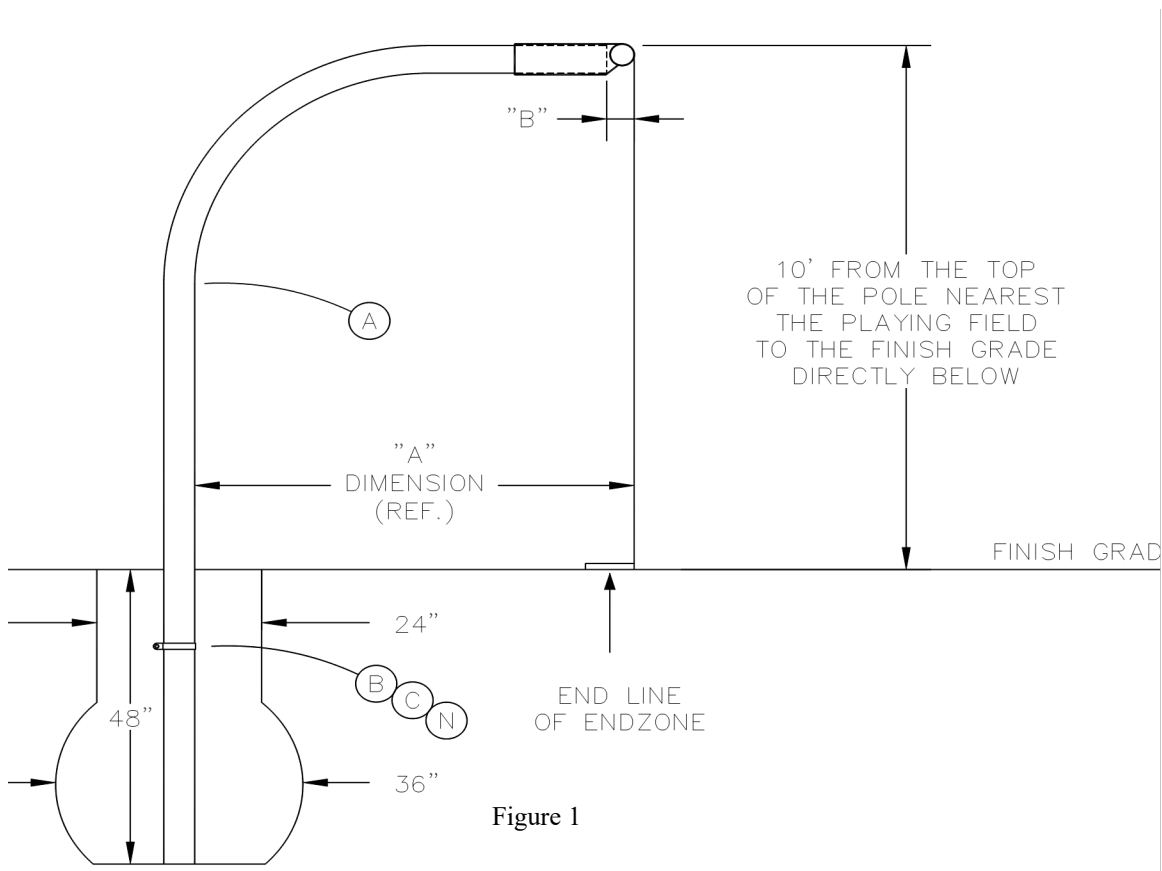


Figure 1

	FB45HS	FB45CG	FB55HS	FB55CG	FB58HS	FB58CG
DIMENSION "A"	65 1/4"	65 1/4"	73 1/4"	73 1/4"	97 1/4"	97 1/4"
DIMENSION "B"	5 1/4"	5 1/4"	5 1/4"	5 1/4"	5 1/4"	5 1/4"
UPRIGHT HEIGHTS	20'	20'	20'	20'	20'	20'

4. Attach the *Band Clamp (B)* with *5/16" X 2" Carriage Bolt (C)* and *5/16" Hex Nut (N)* approximately 2 feet from the bottom end of the *Gooseneck Pole (A)* (below ground level). Mix concrete according to the directions on the bag. It is advantageous to have the mixture "wet". This will increase your working time and allow batches to mix in the hole. Pour the hole to just below ground level. Insert pole into concrete while vibrating concrete to allow it to surround the pole completely. Remember to brace gooseneck pole to maintain 10' height and field orientation as previously described. See Figure 1.
5. When cured the "B" dimension (*the front of the pole to the inside of the end line*) shown on the chart must be maintained to insure that the goal post crossbar is properly placed in relation to the goal end line.
6. Clean excess concrete from pole. Check and re-check that pole is level and the 10' height to the top of the pole. Secure all the bracing, and allow the footing to cure fully according to the bag instruction. Only after the concrete is cured should you proceed.
7. The instructions for final assembly of your goal are written on the assumption that no lift truck or similar hoisting equipment is available. Please use powered hoisting equipment if available and modify your assembly process accordingly.
- 8.

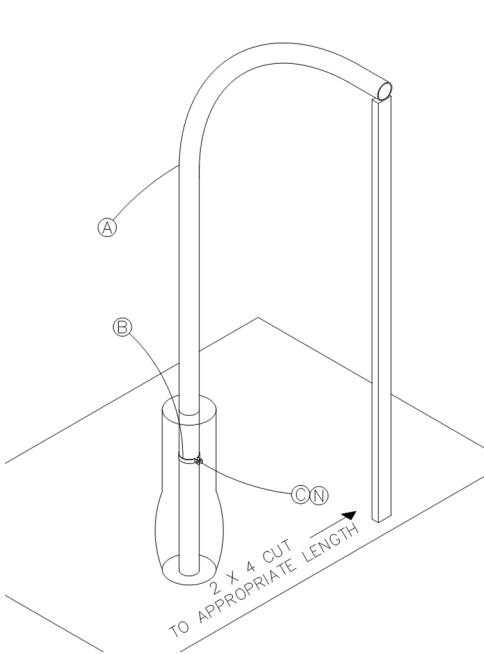


Figure 2

- Slide “T” Adapter (D) onto Crossbar (E), and center on cross bar. Use caution not to damage the powder coated finish. Orient the “T” adapter in the center of the crossbar with the opening for the gooseneck pole 90° from the 2 drilled holes on each end of the crossbar and with both the threaded crossbar holes on the “T” adapter facing up. Once you have the “T” adapter and crossbar positioned in the approximate location tighten the crossbar using 3/8” - 16 x 1” Hex Bolts (P). See Figure 3.

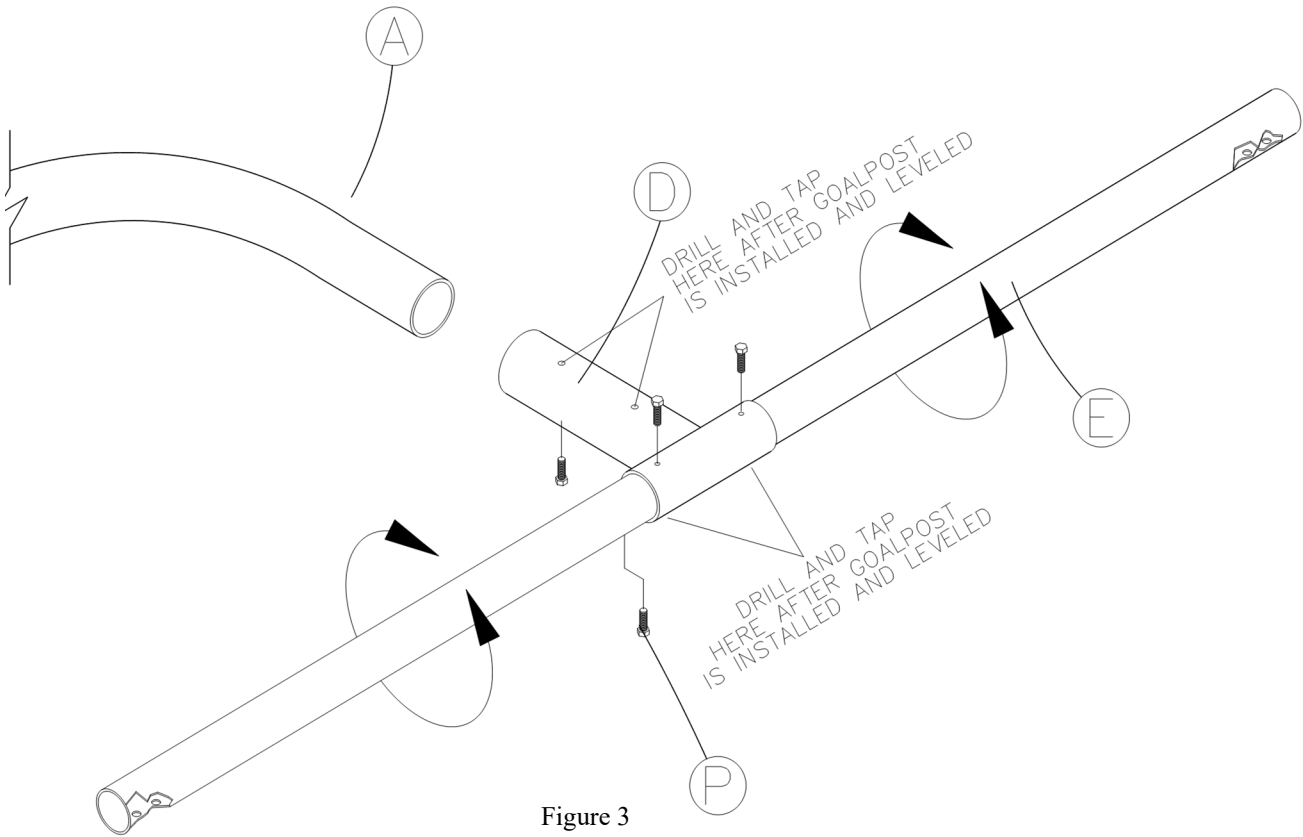


Figure 3

- It is recommended to use 4 people with sufficient height step ladders to hoist “T” adapter and crossbar assembly onto the end of the gooseneck pole. Make sure the “T” Adapter (D) is on the pole as far as it can go. Level the cross bar. Using the 3/8”X 1” Hex Bolts (P) tighten “T” adapter/crossbar assembly to the gooseneck pole. Make sure that the crossbar is level before hardware is tightened. See Figure 3.

NOTE: DO NOT DRILL AND TAP AT THIS TIME!!

10. Confirm that the *Crossbar* (E) is perfectly centered on your pole and playing surface, make any necessary adjustments now. Also, check that the two holes on each end are facing the ground.
11. Install the *Uprights* (I) into the *Crossbar End Caps* (J) using the *1/2" X 1/2" Set Screws* (G). Make sure that the uprights are seated into the bottom of the pocket provided, then tighten set screws. See Figure 4.
12. If you have wind directional streamers, Bison #FBWDS, please install them to the top of your uprights now. Please refer to the wind directional streamer instructions for installation.
13. Insert *Crossbar End Cap* (J) with *Upright* (I) attached into one end of *Crossbar* (E), leaving the top end of the upright resting on the ground. Make sure that the end cap is inserted completely into the crossbar. Insert a pole or pipe that is at least 1 1/2" in diameter and 9 1/2' long into the bottom of the crossbar end cap and rotate crossbar end cap assembly around until uprights are positioned so you can see the threaded holes through the mounting holes in the crossbar. Use the *5/8" X 1 1/2" Hex Bolts* (L), *5/8" Lock Washers* (M), and the *Crossbar Washer Plate* (K) to attach end cap assembly to the crossbar, then tighten. See Figure 4 & 5. This assembly process requires constant contact between the 1 1/2" pipe and the crossbar end cap, **DO NOT under any circumstances remove the 1 1/2" pipe until the 5/8" X 1 1/2" Hex Bolts (L) are installed.** In addition it is important to maintain full insertion of the cross bar end cap to the cross bar during the rotation process. **DO NOT STAND DIRECTLY UNDER THE PLANE OF THE UPRIGHTS DURING ROTATION.** Repeat this process for the remaining upright assemblies. See Figures 4 & 5.

Warning!

This step is very important, please follow the instructions closely. Use patience and caution when drilling through the "T" adapter into the crossbar and gooseneck post. Any variance and/or out of level will not be correctable once you drill and tap the 1/2" holes and install the hardware.

14. When you are confident that everything is level, plum, and that the uprights are parallel to each other, double check to make sure that all nuts and bolts are completely tight.
15. Using a sharp 7/16" drill bit, drill through the four pre-drilled pilot holes in the "*T*" Adapter (D) and into the crossbar and gooseneck pole. Use a 1/2"-13 tap to thread the holes. These holes are indicated by removable labels. See Figures 3, & 5.
16. Use the *1/2" x 1" Hex Bolts* (H) to attach the crossbar and the gooseneck pole to the "*T*" adapter assembly. See Figure 3.

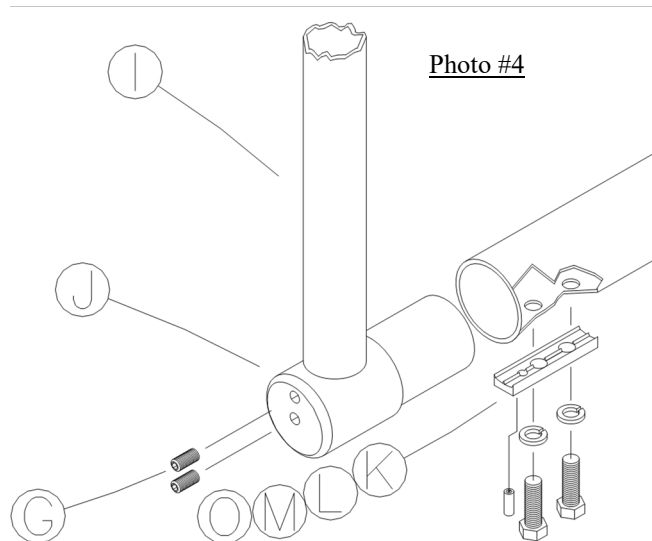
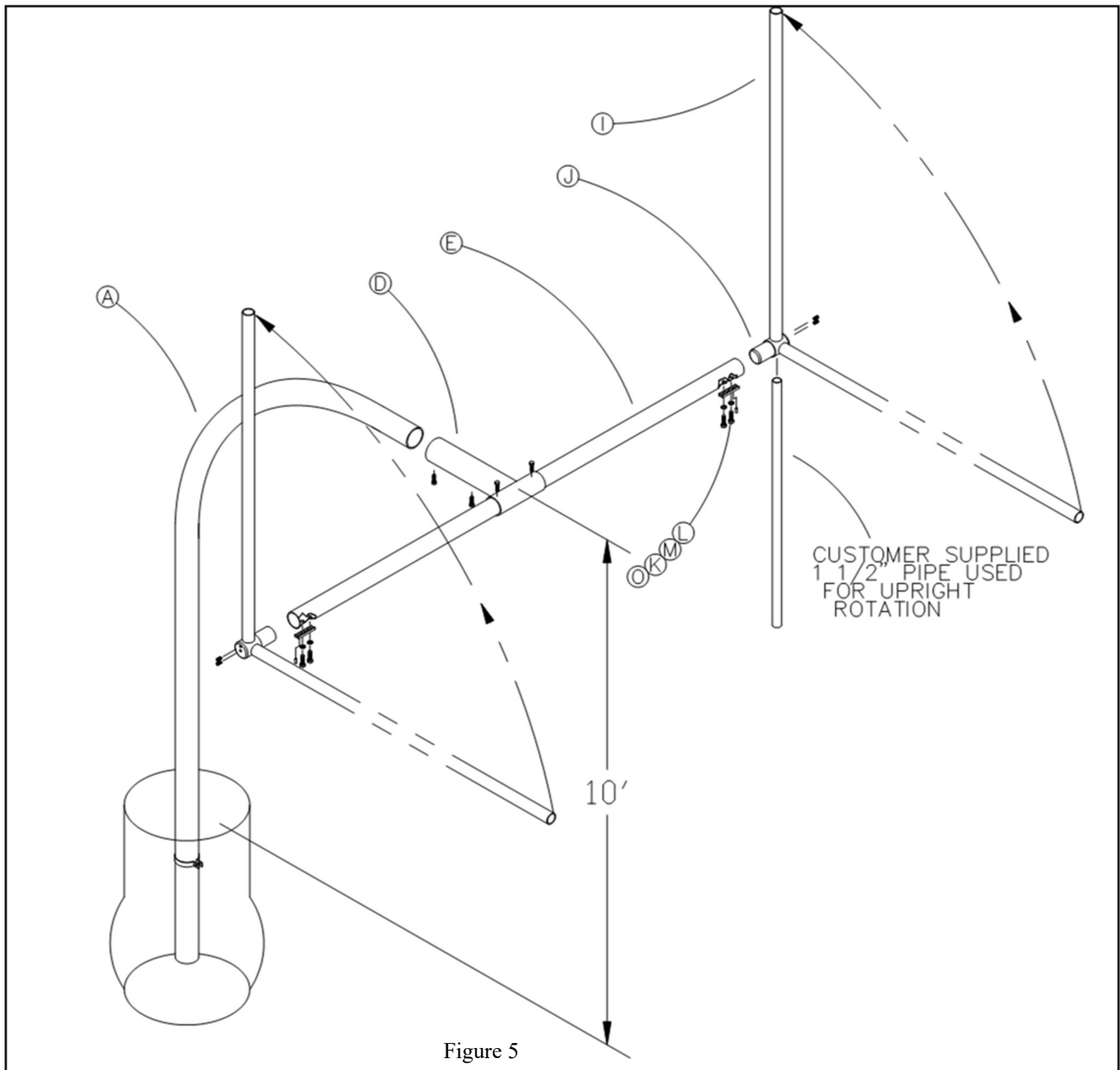


Photo #4

Figure 4



17. Remove the previously installed $3/8$ "-16 x 1" Hex Bolts (P), and drill out the holes using the $7/16$ " drill bit going through the "T" adapter and one wall in the gooseneck and the crossbar. Using a $1/2$ "-13 tap thread the holes.
18. Using the $1/2$ " x 1" Hex Bolts (H) secure the crossbar and gooseneck pole to the "T" adapter. See Figures 3
19. Using the provided hole in the Washer plate (K) as a guide, drill a $3/8$ " hole through the Crossbar (E)

Warning!

This final step is the most important, please follow the instructions closely. Use patience and caution when drilling through the crossbar into the crossbar end caps. Any variance and/or out of level will not be correctable once you drill the $3/8$ " holes and install the roll pin.

and into the Crossbar end cap (J) at least 1" deep. Using the $3/8$ " x 1" Roll Pin (O) secure the Crossbar End Caps (J) to the Crossbar (E). See Figures 4& 5.