

**— Instruction Manual —**  
**BM10 BADMINTON/PICKLEBALL**  
**SYSTEMS**



Customer Service  
(800) 247-7668

**Set-up Instructions Competition Badminton System**

PARTS LIST					
Item	Qty	Description	Item	Qty	Description
A	2	Badminton Post (BM10U)	C	1	BM21 Floor Socket and Floor Plates (ordered Separately)
B	1	Badminton Net (BM10N)			

- ◆ Inspect all contents prior to installation. Report any missing parts to dealer immediately.
- ◆ Read all instructions before proceeding.

1. If applicable install BM21 Sockets and Floor Plate (C) in accordance with the instructions provided with BM21.
2. Insert the Badminton Posts (A) into the BM21 Floor Sockets and Floor Plates (C).
3. Measure from the playing floor to the groove in the top of the posts. This measurement should be 61". See Figure 1.
4. To adjust the height of the post to 61" adjust the foot pad on the bottom of each post.
5. When both posts are at the correct height, position the top net rope over the grooves on the top of the Badminton Posts (A) and into the rope tensioning cleat on the outside of each Badminton Post (A). See Figure 2
6. Tension the top rope until the net is 60" high in the center of the court. See Figure 2.
7. Tie the top corner laces around the top of the Badminton Posts (A) to center the net between the Badminton Posts (A) and hold the net tight against the posts.
8. Tie the bottom corner laces around the Badminton Posts (A) using the black rubber bumper on the outside of the posts to stretch the net downward. See Figure 2.
9. To use BM10 for pickleball follow instructions #1 - #4 above, then move to #10.
10. Run the Badminton Net (B) top rope through the top loop on the inside of the posts, then over the top of the posts, and then attach to the rope cleats. The top of the net should be 36" from the floor. See Figure 3.
11. Tie the top and bottom net laces to the loop near the bottom of the posts.

Figure 1

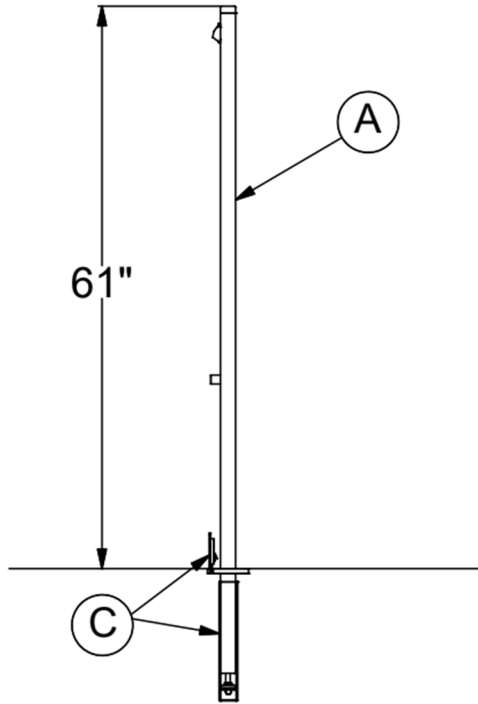


Figure 2

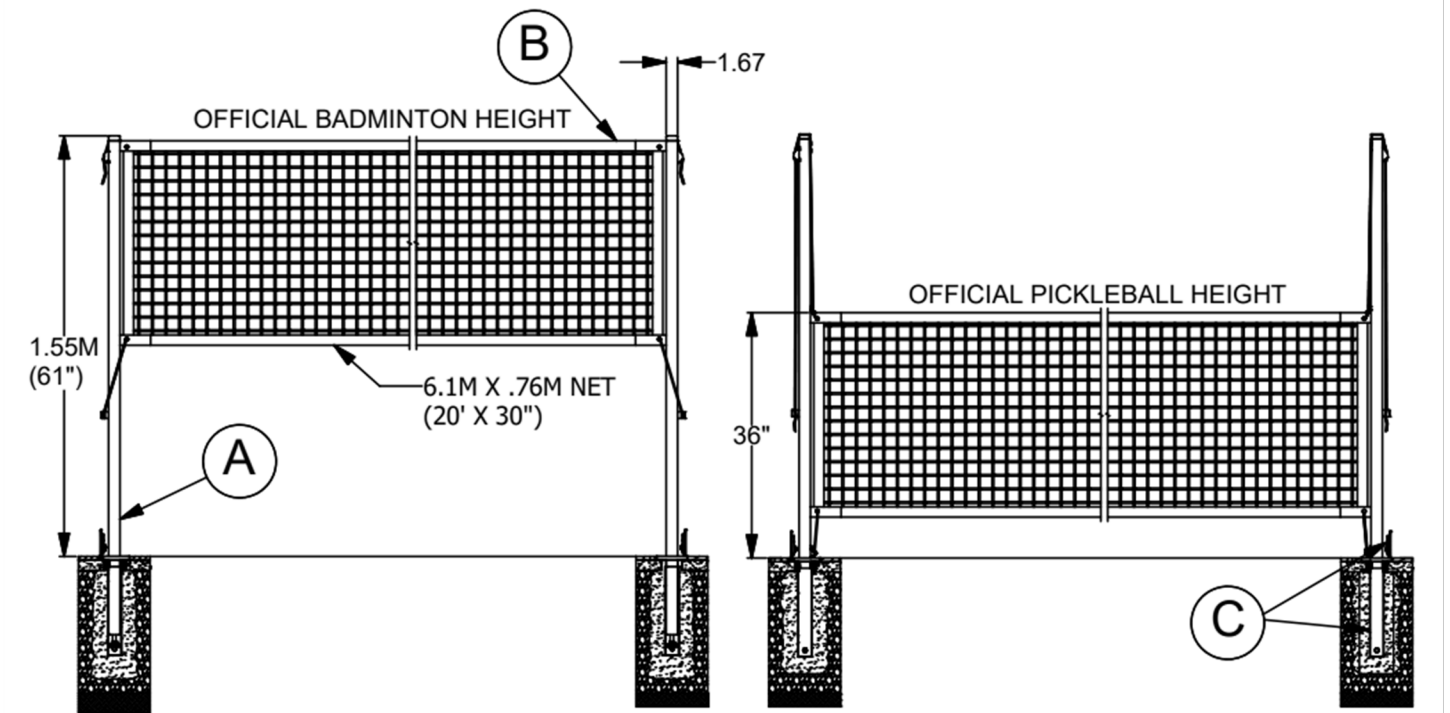
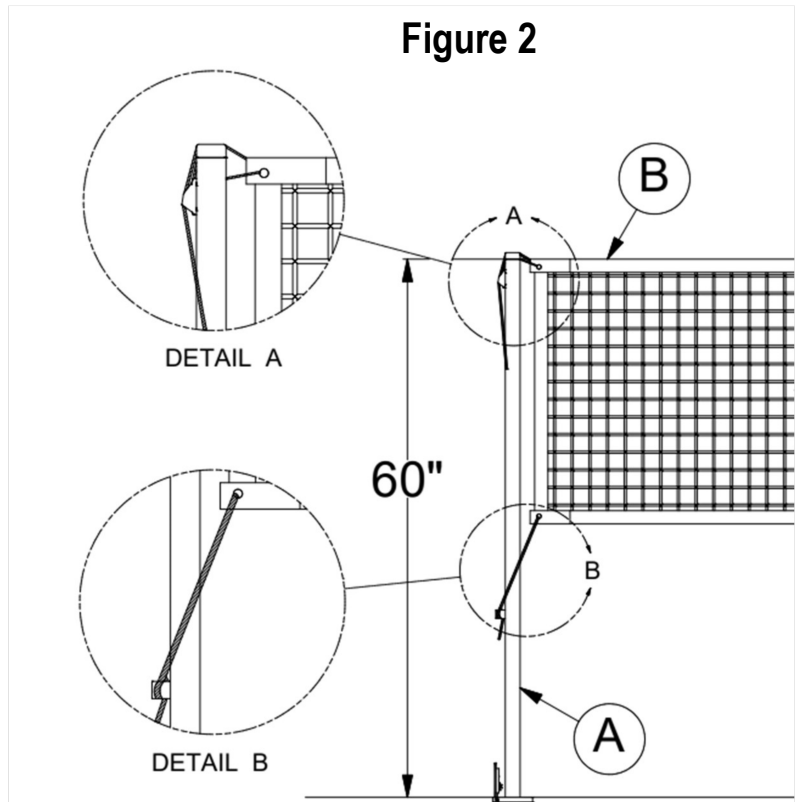


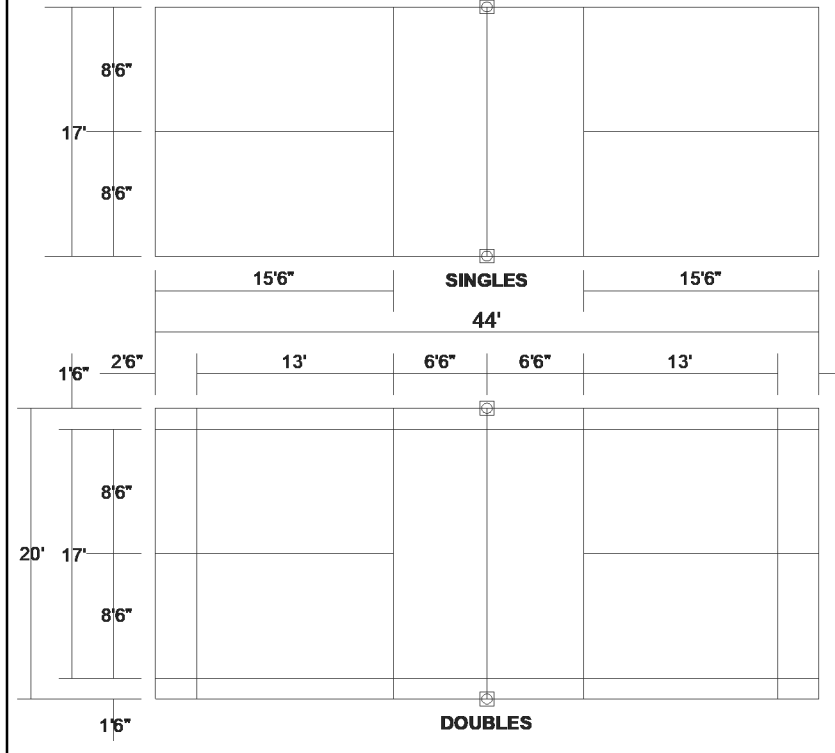
Figure 3

# BADMINTON COURT LAYOUTS

## SINGLES AND DOUBLES

(Stand-Alone Courts)

Net Height: 5 feet



# Pickleball Court Diagram

