

— **Instruction Manual** —

4 TIER OUTDOOR "XL" BLEACHER

Models BLO704XL, BLO1504XL, BLO2104XL

Aluminum or Galvanized Steel Frame Assembly



Customer Service
(800) 247-7668

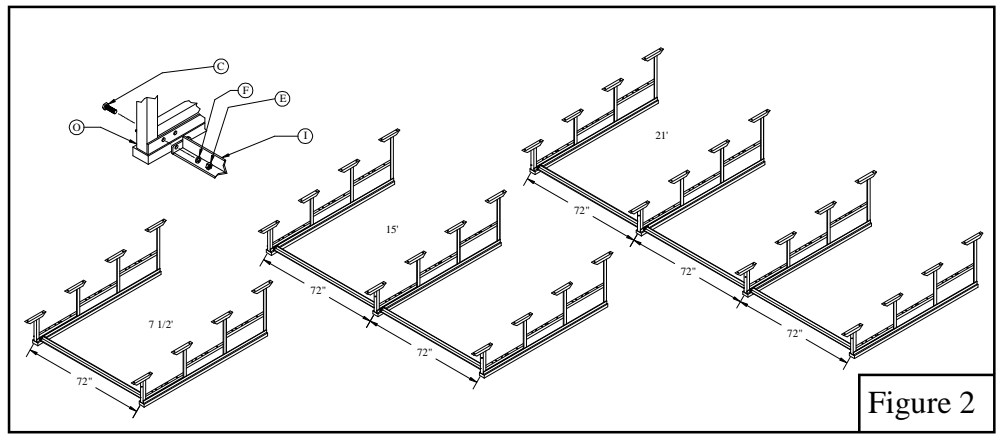
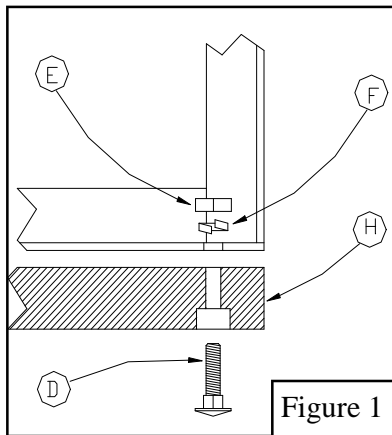
PARTS LIST									
Item	7-1/2' Qty	15' Qty	21' Qty	Description	Item	7-1/2' Qty	15' Qty	21' Qty	Description
A	4	4	4	Dull Aluminum Seat Plank	I	1	2	3	Front Brace
B	9	9	9	Shiny Aluminum Foot Plank	J	2	4	6	Rear Brace
C	9	14	19	3/8-16 x 1 1/4" Hex Bolt	K	40	60	80	3/8" X 1" Carriage Bolt
D	8	12	16	3/8" x 2" Carriage Bolt	L	26	26	26	Seat End Cap
E	69	104	139	3/8" Hex Nut	M	52	52	52	#10 X 3/4" Sheet Metal Screw
F	69	104	139	3/8" Lock Washer	N	12	18	24	3/8" X 2 1/2" Carriage Bolt
G	52	78	104	Bench Clamp	O	2	3	4	Frame Assembly
H	2	3	4	Runner					

NOTE: Extra hardware may be included

- ◆ Inspect all contents prior to installation. Report any missing parts to dealer immediately.
- ◆ Read all instructions before proceeding.

NOTE: If you have purchased bleacher with galvanized steel frame assemblies
Prior to assembly check all fastening holes for bolt clearance. On occasion the galvanizing process will partially flow into the fastening holes causing interference. You must remove the excess galvanizing with a power drill, **DO NOT** attempt to pound the fastening hardware through the holes, you will damage the threads and risk injury.

1. Attach a *Runner* (H) to the bottom of each *Frame Assembly* (O) using *3/8" X 2" Carriage Bolts* (D), *3/8" Lock Washers* (F) and *3/8" Hex Nuts* (E). See Figure 1.
2. Position *Frame Assemblies* (O) approximately 72" apart on a level flat surface. Install *Front Brace* (I) using *3/8" X 1 1/4" Hex Bolts* (C), *3/8" Lock Washers* (F) and *3/8" Hex Nuts* (E). See Figure 2.



3. Using one each $3/8''$ X $1 1/4''$ Hex Bolt (C), $3/8''$ Lock Washer (F) and $3/8''$ Hex Nut (E) assemble the Rear Braces (J), leave hardware finger tight. See Figure 3.
4. Install Rear Braces (J) to Frame Assemblies (O). Use $3/8''$ X $1 1/4''$ Hex Bolts (C), $3/8''$ Lock Washers (F) and $3/8''$ Hex Nuts (E). The top brace attaches to the fourth hole from the top of frame. The bottom brace attaches to the fifth hole down from the top of the frame. See Figure 3.
5. Each Dull Aluminum Seat Plank (A) and Shiny Aluminum Foot Plank (B) should extend equal distance on both sides from the outside Frame Assemblies (O). Make sure Frame Assemblies (O) are square and parallel to each other prior to tightening hardware. See Figure 6.
6. Attach 4 each horizontal Dull Aluminum Seat Plank (A) and 6 each Shiny Aluminum Foot Plank (B) with $3/8''$ X $1''$ Carriage Bolts (K), $3/8''$ Lock Washers (F), $3/8''$ Hex Nuts (E) and Bench Clamps (G). To attach the Shiny Aluminum Foot Plank (B) use the mounting holes that are approximately $4 3/4''$, $11 1/4''$, $14 3/4''$ and $21 1/4''$ from the vertical angle on Frame Assembly (O). See Figures 4 and 5.
7. Attach the vertical Shiny Aluminum Foot Plank (B) to the upright angle in the second and third hole down from the top of the frame with $3/8''$ X $2 1/2''$ Carriage Bolts (N), $3/8''$ Lock Washers (F), $3/8''$ Hex Nuts (E) and Bench Clamps (G). See Figures 4 and 5.
8. Install Seat End Caps (L) with #10 X $3/4''$ Sheet Metal Screws (M). See Figure 7.
9. Make sure all hardware is tightened prior to use.

