

— Instruction Manual —

# 2 TIER OUTDOOR "XL" BLEACHER



Model BLO1502XL Aluminum or Galvanized Steel Frame Assembly

Customer Service  
(800) 247-7668

PARTS LIST					
Item	Qty	Description	Item	Qty	Description
A	2	Dull Aluminum Seat Plank	I	2	Front Brace
B	3	Shiny Aluminum Foot Plank	J	4	Rear Brace
C	14	3/8-16 x 1 1/4" Hex Bolt	K	24	3/8" X 1" Carriage Bolt
D	6	3/8" x 2" Carriage Bolt	L	10	Seat End Cap
E	50	3/8" Hex Nut	M	20	#10 X 3/4" Sheet Metal Screw
F	50	3/8" Lock Washer	N	6	3/8" X 2 1/2" Carriage Bolt
G	30	Bench Clamp	O	3	Frame Assembly
H	3	Runner			

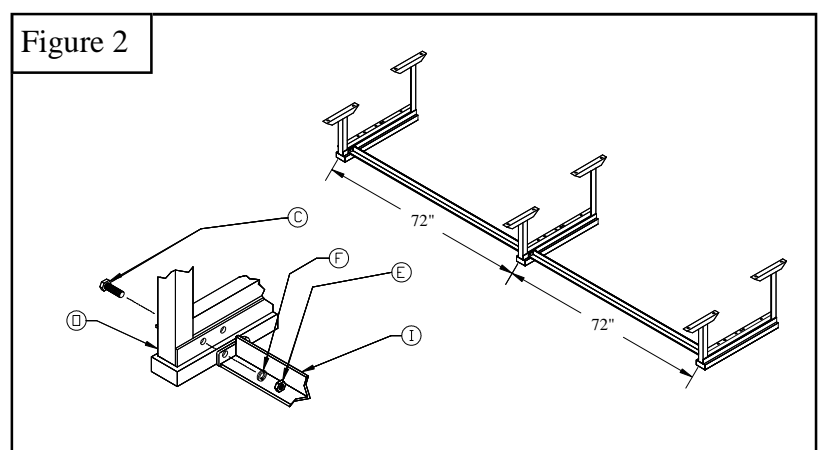
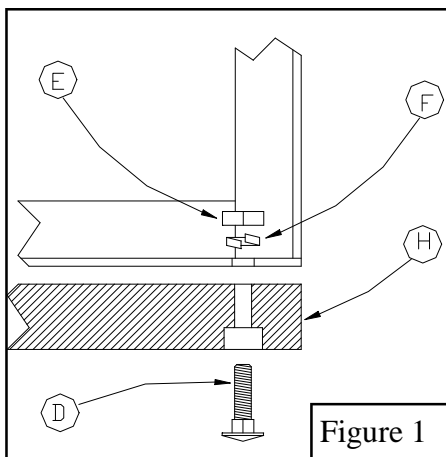
NOTE: Extra hardware may be included

- ◆ Inspect all contents prior to installation. Report any missing parts to dealer immediately.
- ◆ Read all instructions before proceeding.

**NOTE: If you have purchased bleacher with galvanized steel frame assemblies**

Prior to assembly check all fastening holes for bolt clearance. On occasion the galvanizing process will partially flow into the fastening holes causing interference. You must remove the excess galvanizing with a power drill, **DO NOT** attempt to pound the fastening hardware through the holes, you will damage the threads and risk injury.

1. Attach a *Runner* (H) to the bottom of each *Frame Assembly* (O) using *3/8" X 2" Carriage Bolts* (D), *3/8" Lock Washers* (F) and *3/8" Hex Nuts* (E). See Figure 1.
2. Position *Frame Assemblies* (O) approximately 72" apart on a level flat surface. Install *Front Brace* (I) using *3/8" X 1 1/4" Hex Bolts* (C), *3/8" Lock Washers* (F) and *3/8" Hex Nuts* (E). See Figure 2.



3. Using one each  $3/8''$  X  $1\ 1/4''$  Hex Bolt (C),  $3/8''$  Lock Washer (F) and  $3/8''$  Hex Nut (E) assemble the Rear Braces (J), leave hardware finger tight. See Figure 3.
4. Install Rear Braces (J) to Frame Assemblies (O). Using  $3/8''$  X  $1\ 1/4''$  Hex Bolts (C),  $3/8''$  Lock Washers (F) and  $3/8''$  Hex Nuts (E). The top Rear Brace (J) attaches to the first hole from the top of Frame Assembly (O). The bottom Rear Brace (J) attaches to the third hole down from the top of the Frame Assembly (O). See Figure 3.
5. Each Dull Aluminum Seat Plank (A) and Shiny Aluminum Foot Plank (B) should extend equal distance on both sides from the outside Frame Assemblies (O). Make sure Frame Assemblies (O) are square and parallel to each other prior to tightening hardware. See Figure 6.
6. Attach 2 each Horizontal Dull Aluminum Seat Planks (A) and Shiny Aluminum Foot Planks (B) with  $3/8''$  X  $1''$  Carriage Bolts (K),  $3/8''$  Lock Washers (F),  $3/8''$  Hex Nuts (E) and Bench Clamps (G). To attach the Shiny Aluminum Foot Planks (B) use the mounting holes that are approximately  $4\ 3/4''$ ,  $11\ 1/4''$ ,  $14\ 3/4''$  and  $21\ 1/4''$  from the back of Frame Assembly (O). See Figures 4, 5 and 6.
7. Attach the vertical Shiny Aluminum Foot Plank (B) to the upright angle in the two remaining holes with  $3/8''$  X  $2\ 1/2''$  Carriage Bolts (N),  $3/8''$  Lock Washers (F),  $3/8''$  Hex Nuts (E) and Bench Clamps (G). See Figures 4, 5 and 6.
8. Install Seat End Caps (L) with #10 X  $3/4''$  Sheet Metal Screws (M). See Figure 7.
9. Make sure all hardware is tightened prior to use.

