



2 TIER INDOOR BLEACHER

Models BLI0702, BLI1502 and BLI2102

Aluminum Frame Assembly

Customer Service
(800) 247-7668

PARTS LIST									
Item	7 1/2' Qty	15' Qty	21' Qty	Description	Item	7 1/2' Qty	15' Qty	21' Qty	Description
A	3	6	6	7 1/2' Aluminum Plank	L	2	3	4	Spacer
B	0	0	3	6' Aluminum Plank	M	12	18	24	3/8" x 1" Carriage Bolt
C	2	3	4	Frame Assembly	N	12	12	12	#10 x 3/4" Sheet Metal Screw
D	11	17	23	3/8" x 1 1/4" Hex Bolt	O	6	6	6	Seat End Cap
E	6	9	12	3/8" Flat Washer	P	2	3	4	3/8" x 2 1/4" Hex Bolt
F	29	44	59	3/8" Hex Nut	Q	4	6	8	Swivel Caster
G	29	44	59	3/8" Lock Washer	R	0	6	12	Seat Connector Tube
H	12	18	24	Bench Clamp	S	0	3	6	Seat Connector Cap
I	6	9	12	Rubber Foot	T	0	24	48	#14 x 3/4" Self-Drilling Hex Screws
J	1	2	3	Front Brace	U	0	1	1	3/8" Hex Magnetic Socket
K	2	4	6	Rear Brace					

Note: Extra hardware may be included

- ◆ Inspect all contents prior to installation. Report any missing parts to dealer immediately.
- ◆ Read all instructions before proceeding.

Warning!

While gym floor installers and refinishers often indicate floors are OK to walk or play on in 7-10 days after oil based polyurethane finishes are applied, in reality, it can actually take up to 30 days for all the chemicals in the polyurethane to dissipate. Chemical reactions between the floor finish and certain materials including urethane feet contacting the floor can cause permanent discoloration. Placement of this product on floors prior to the 30-day final cure period may risk discoloration that would not be covered by the manufacturer's warranty.

1. Attach *Rubber Feet* (I) in 2 places to each *Frame Assembly* (C) using *3/8" X 1 1/4" Hex Bolts* (D), *3/8" Flat Washers* (E), *3/8" Lock Washers* (G) and *3/8" Hex Nuts* (F). See Figure 1.
2. Position *Frame Assemblies* (C) approximately 72" apart on a level flat surface. Install *Front Brace* (J) using *3/8" X 1 1/4" Hex Bolts* (D), *3/8" Lock Washers* (G) and *3/8" Hex Nuts* (F). See Figure 2.
3. Using one each *3/8" X 1 1/4" Hex Bolt* (D), *3/8" Lock Washer* (G) and *3/8" Hex Nut* (F) assemble the *Rear Braces* (K), leave hardware finger tight. See Figure 3.

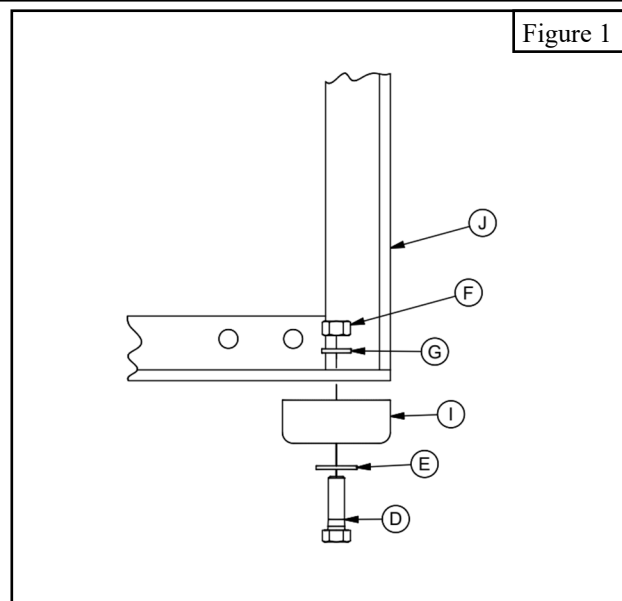
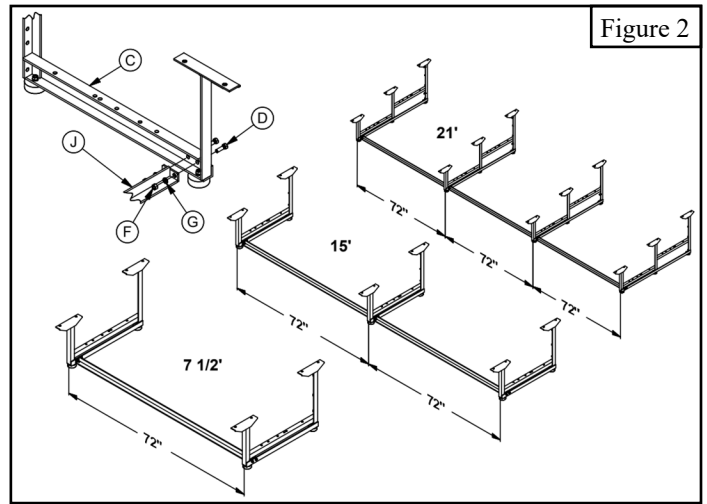
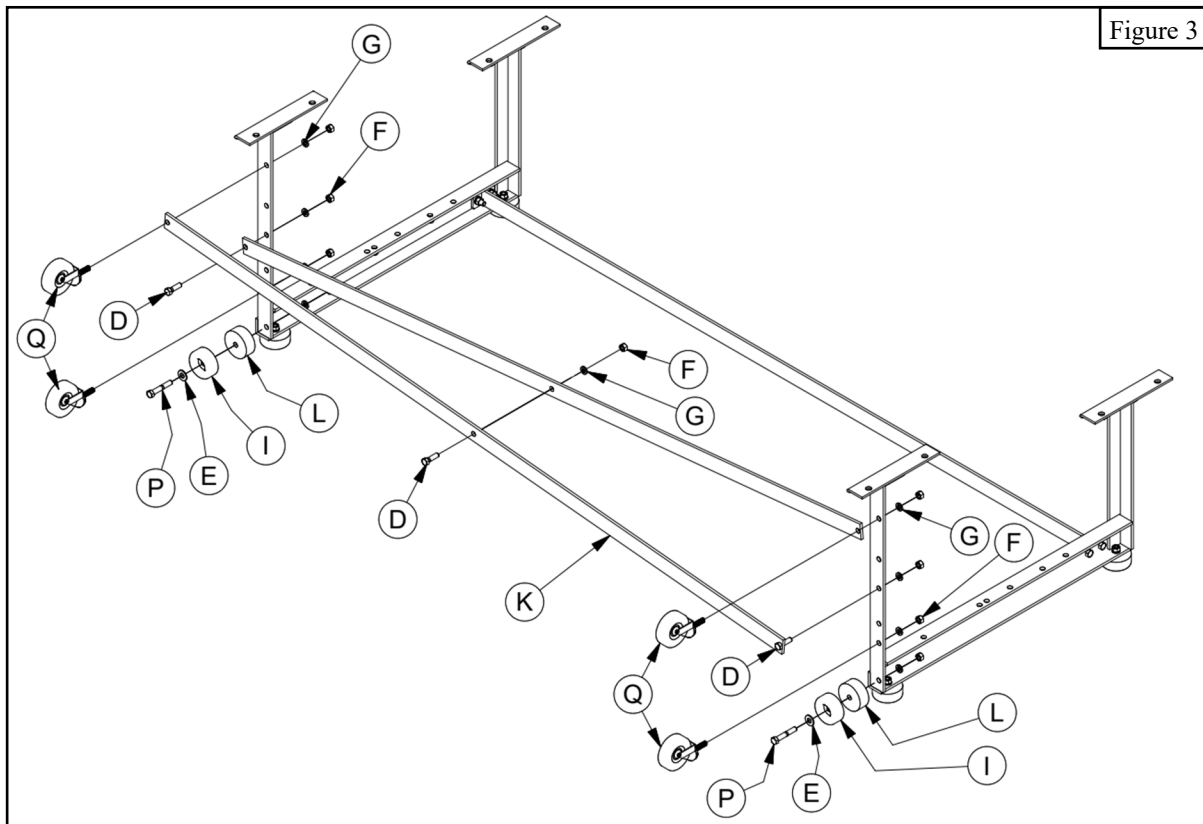


Figure 1

4. Use *Swivel Caster (Q)*, *3/8" Lock Washer (G)* and *3/8" Hex Nut (F)* to attach top *Rear Brace (K)* into the first hole from the top of *Frame Assembly (C)*. See Figure 3.
5. Use *3/8" X 1 1/4" Hex Bolt (D)*, *3/8" Lock Washer (G)* and *3/8" Hex Nut (F)* to attach bottom *Rear Brace (K)* in the third hole down from the top of the *Frame Assembly (C)*. See Figure 3.
6. Install *Swivel Caster (Q)* into the fifth hole down from the top of *Frame Assembly (C)* and attach with *3/8" Lock Washer (G)* and *3/8" Hex Nut (F)*. See Figure 3.

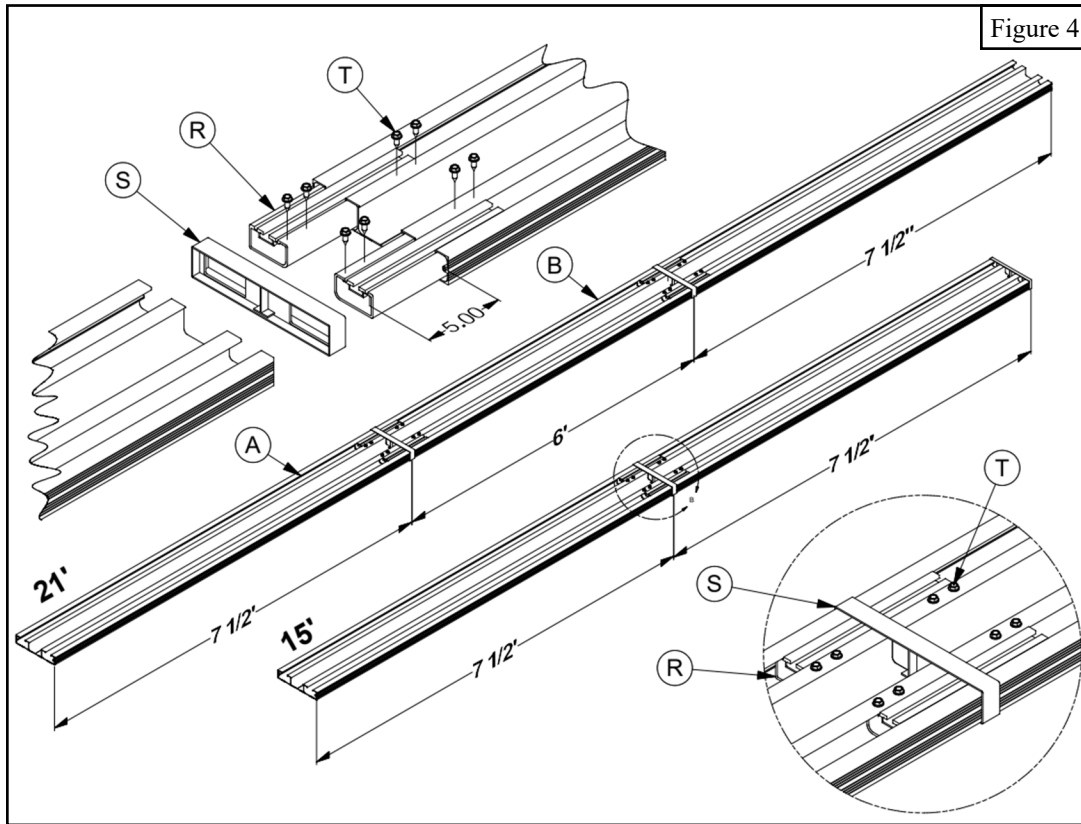


7. Attach *Spacer (L)* and *Rubber Foot (I)* through the bottom hole in the *Frame Assembly (C)* with *3/8" X 2 1/4" Hex Bolt (P)*, *3/8" Washer (E)*, *3/8" Lock Washer (G)* and *3/8" Hex Nut (F)*. See Figure 3.

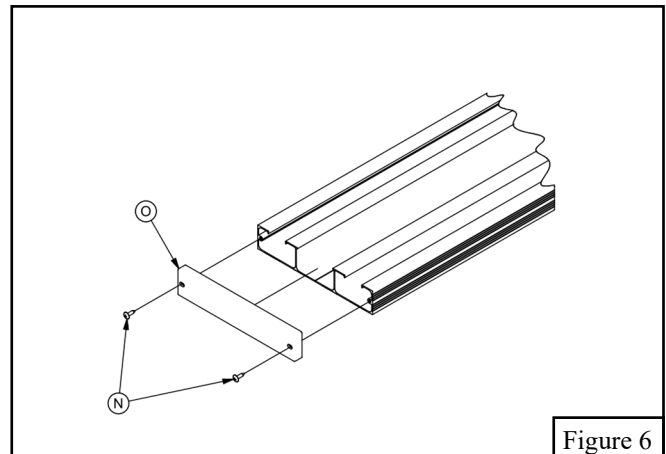
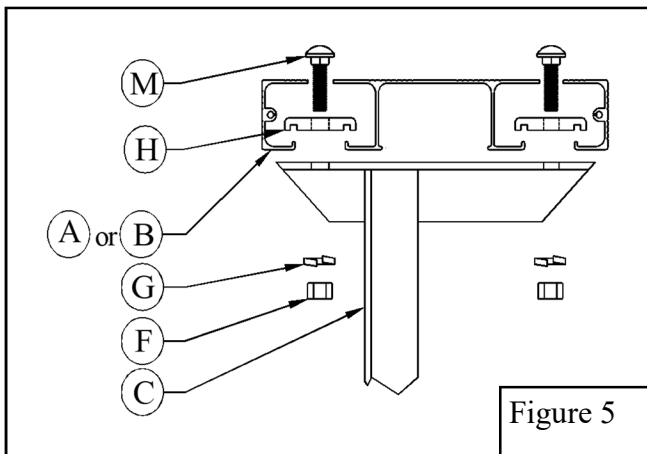


8. Please note that 15' bleachers will be assembled using two 7 1/2' planks. 21' bleachers will use a 6' plank in the middle with a 7 1/2' plank on each end. Plank assembly will require a cordless or electric drill to install the *#14 x 3/4" Self-Drilling/Threading Hex Screws (T)* using the *3/8" Hex Magnetic Screwdriver Socket (U)* included. Lay planks end to end on a flat surface with the bottom side of the planks facing up. See Figure 4.
9. Insert two *Seat Connector Tubes (R)* approximately 5" into one end of a plank that will be connected to an adjacent plank. Using your drill, and the provided *3/8" Hex Magnetic Screwdriver Socket (U)*, install four *#14 x 3/4" Self-Drilling/Threading Hex Screws (T)* as shown in Figure 4.
10. Slide *Seat Connector Cap (S)* over the protruding *Seat Connector Tubes (R)*. See Figure 4.

11. Slide the second plank over the two *Seat Connector Tubes* (R) making sure that it is tight against the *Seat Connector Caps* (S) and the first plank.
12. Install four additional #14 x 3/4" *Self-Drilling/Threading Hex Screws* (T) to complete the joint connection. See Figure 4.
13. Repeat process at each plank joint.



14. Attach 7 1/2' *Aluminum Plank* (A) and 6' *Aluminum Plank* (B) with 3/8" X 1" *Carriage Bolts* (M), 3/8" *Lock Washers* (G), 3/8" *Hex Nuts* (F) and *Bench Clamps* (H). Use the mounting holes that are approximately 12" and 18 1/2" from the back of *Frame Assembly* (C) to attach the 6' *Aluminum Plank* (B). Each 7 1/2' *Aluminum Plank* (A) and 6' *Aluminum Plank* (B) should extend equal distance on both sides from outside *Frame Assemblies* (C). Make sure *Frame Assemblies* (C) are square and parallel to each other prior to tightening hardware. See Figure 5.



15. Install *Seat End Caps* (O) with #10 x 3/4" *Sheet Metal Screws* (N). See Figure 6.
16. Make sure all hardware is tightened prior to use.