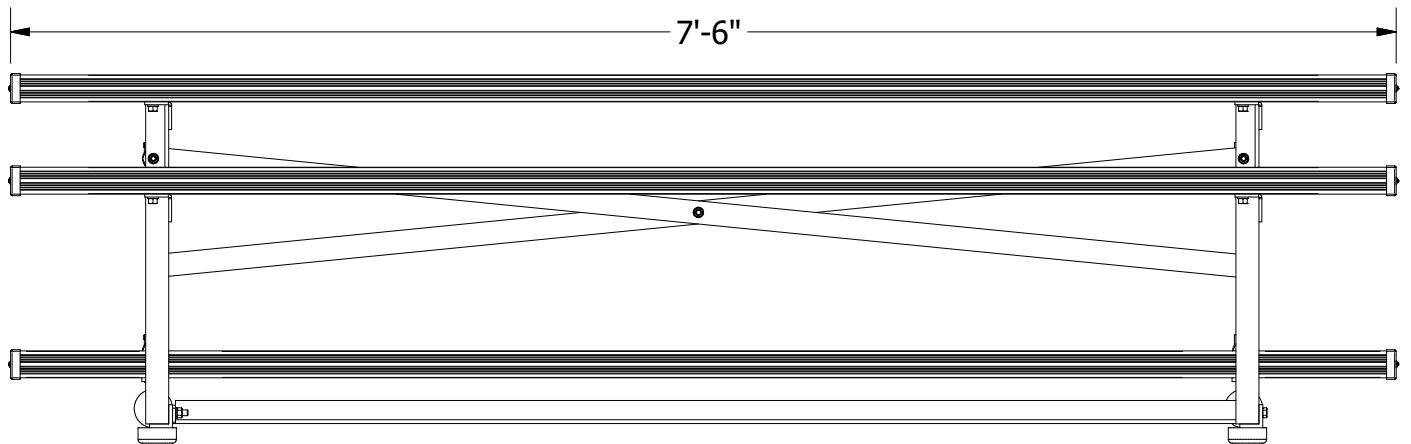


STORAGE POSITION



Bleacher framework shall be constructed of welded aluminum angles and bolt-on horizontal support members. Seat planks and foot planks shall be 10" wide x 1 3/4" thick, clear anodized (seat only) aluminum extrusions with aluminum end caps and be mounted on two aluminum support frames. For Powder Coated Aluminum Seat Planks order optional BL07SEAT1-XX each plank. Choose any combination of colors; Royal, Scarlet, Navy, Forest Green, Black and White. When in use, bleachers shall sit on four non-marking rubber feet. When tipped up to transport and store, bleachers shall rest on four non-marking 3" diameter swivel casters. Bleachers shall provide two rows of 7 1/2' seating with a total approximate capacity of 10 persons. Bleacher structure shall have a 5-year limited warranty and seat and foot planks shall have a 2-year limited warranty. Installation to be completed in accordance to manufacturer's instructions. Do not scale drawings. Approximate weight shall be 120# each.



PRODUCT SPECIFICATION

BLI0702 EASY STORE™ 7 1/2' 2-TIER INDOOR ALL ALUMINUM PORTABLE BLEACHERS

REVISED 11/8/23 L.M.