

— **Assembly and Safe Use Manual** —

BA980P ZIP CRANK



Customer Service
(800) 247-7668

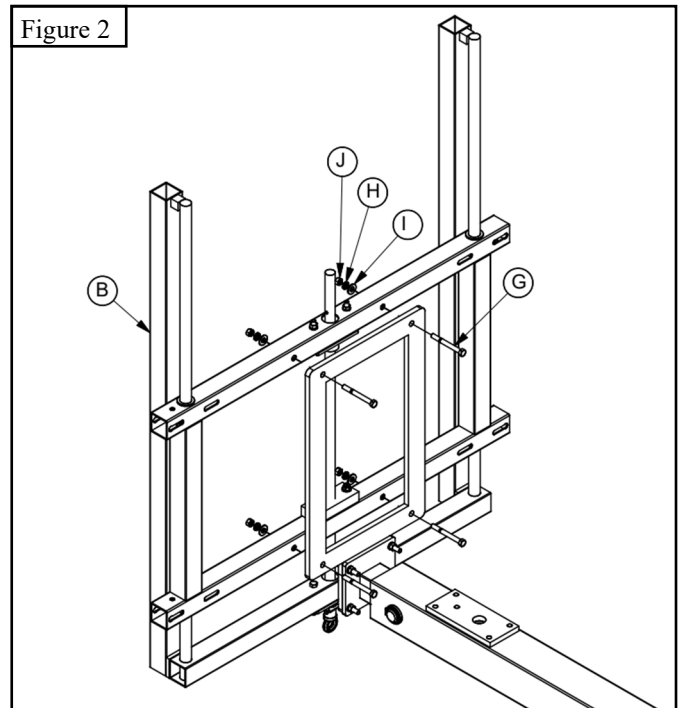
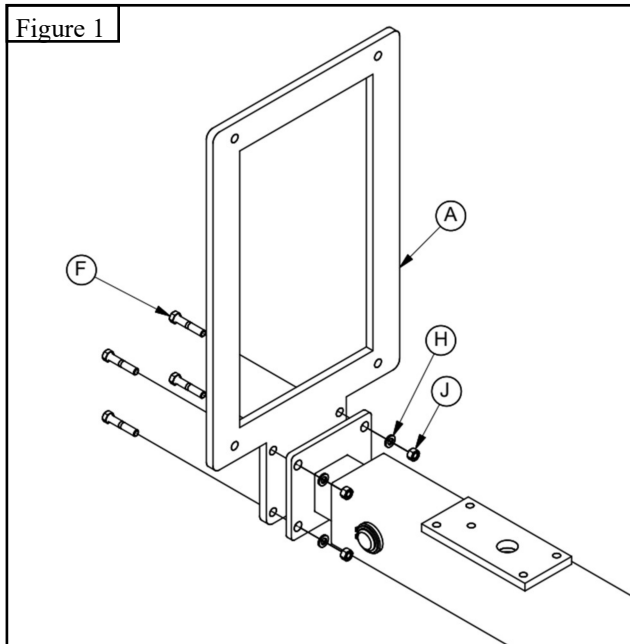
HEIGHT ADJUSTER FOR PORTABLES

PARTS LIST					
Item	Qty	Description	Item	Qty	Description
A	1	Adapter Plate	G	4	3/8" x 3 1/2" Hex Bolts
B	1	BA980F Height Adjuster (packaged separately)	H	16	3/8" Lock Washer (8 packaged with backboard)
C	2	BA980P Backboard Brace Assemblies (packaged separately)	I	24	3/8" Flat Washer (8 packaged with backboard)
D	1	BA42XLC Glass Backboard	J	16	3/8" Hex Nuts (8 packaged with backboard)
E	8	3/8" x 1 1/2" Carriage Bolts (packaged with backboard)	K	1	Rim and Net (ordered separately)
F	4	3/8" x 2" Hex Bolts			

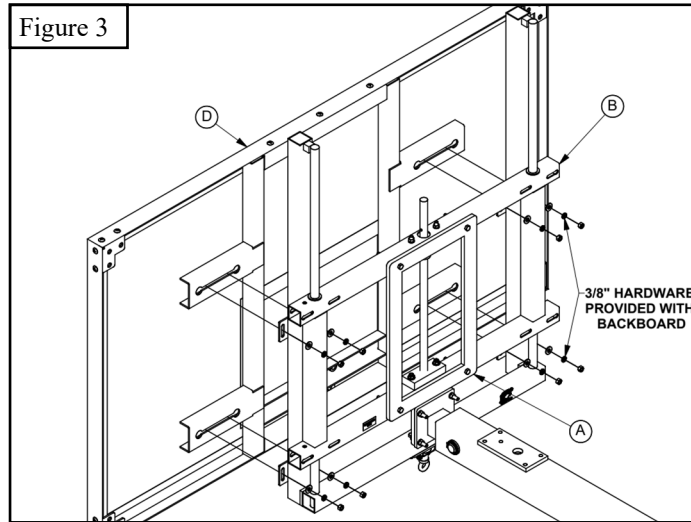
- ◆ Inspect all contents prior to installation. Report any missing parts to dealer immediately.
- ◆ Read all instructions before proceeding.
- ◆ Save the instructions in the event that the manufacturer must be contacted in the future for maintenance

1. Mount the *Adapter Plate (A)* finger tight to the front of the portable extension arm using *3/8" x 2" Hex Bolts (F)*, *3/8" Lock Washers (H)*, and *3/8" Hex Nuts (J)*. Hardware will be tightened at the end. See Figure 1.

2. Mount the *BA980F Height Adjuster (B)* to the *Adapter Plate (A)* using *3/8" x 3 1/2" Hex Bolts (G)*, *3/8" Flat Washers (I)*, *3/8" Lock Washers (H)* and *3/8" Hex Nuts (J)*. Hardware will be tightened at the end. See Figure 2.



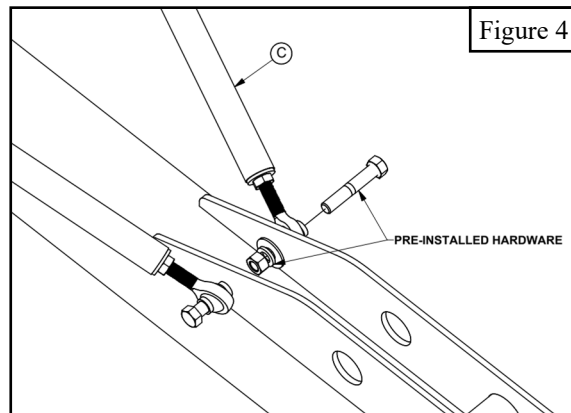
3. Mount the *BA42XLC Glass Backboard (D)* to the *BA980F Height Adjuster (B)* using the 3/8" hardware that is provided with the backboard. See Figure 3.



4. After confirming that the backboard is level side to side tighten all hardware in #1 - #3 above.

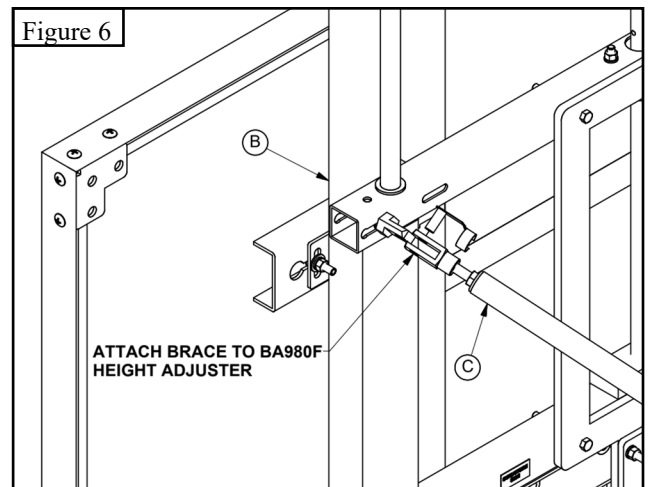
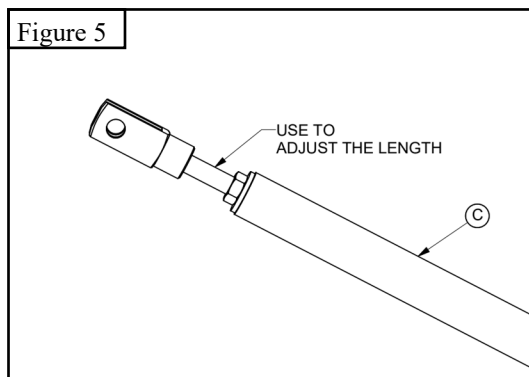
NOTE: YOUR PORTABLES MAY LOOK DIFFERENT THAN SHOWN IN FIGURES

5. Attach the two special *BA980P Backboard Brace Assemblies (C)* to the extension arm of the portable base using the hardware that is preinstalled on the ends of the *BA980P Backboard Brace Assemblies (C)*. Discard the braces that have shipped with the portables See Figure 4.



6. Using the adjustable threads or both ends of the *BA980P Backboard Brace Assembly (C)* shorten or lengthen the assembly to be approximately the correct length to go between the extension arm and the rear of the *BA980F Height Adjuster (B)* without putting extreme strain on the backboard. See Figure 5.

7. Attach the second end of the *BA980P Backboard Brace Assemblies (C)* to the rear of the *BA980F Height Adjuster (B)*. See Figure 6.



8. Check to confirm that the backboard face is plumb and that the bottom is level.
9. *BA980P Backboard Brace Assemblies (C)* can be adjusted longer or shorter to plumb the backboard.
Warning: Excessive adjustment will put stress on the glass possibly causing glass breakage.
See Figure 5.
10. When backboard is level and plumb tighten the jam nut on both ends of the *BA980P Backboard Brace Assemblies (C)* and the rest of the hardware.
11. Mount and level the *Rim and Net (K)* ensuring that the rim is level front to back and side to side.
12. The rim can now be raised and lowered with the hand crank that is supplied with the *BA980F Height Adjuster (B)*. See Figure 7 and Figure 8.

