



# Installation and Safe Use Manual



Customer Service  
(800) 247 7668

## QWIK CHANGE BASKETBALL SYSTEMS MODEL BA89QC-AW, BA89QC-BK, OL89QC, OL89QCS

[Scan for Supplemental  
Installation and  
Assembly Video](#)

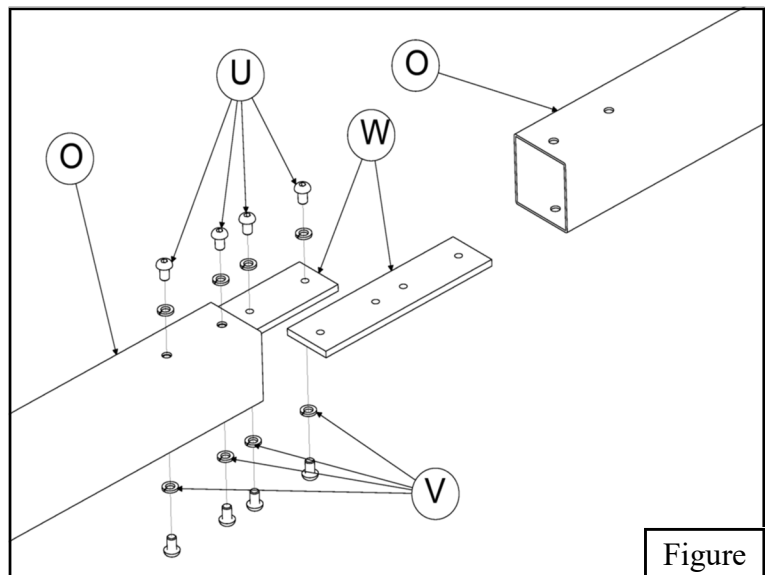
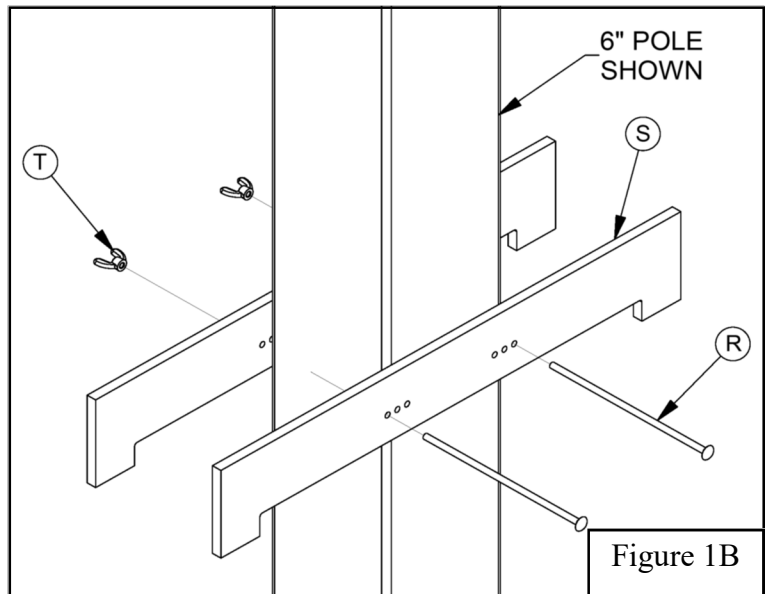
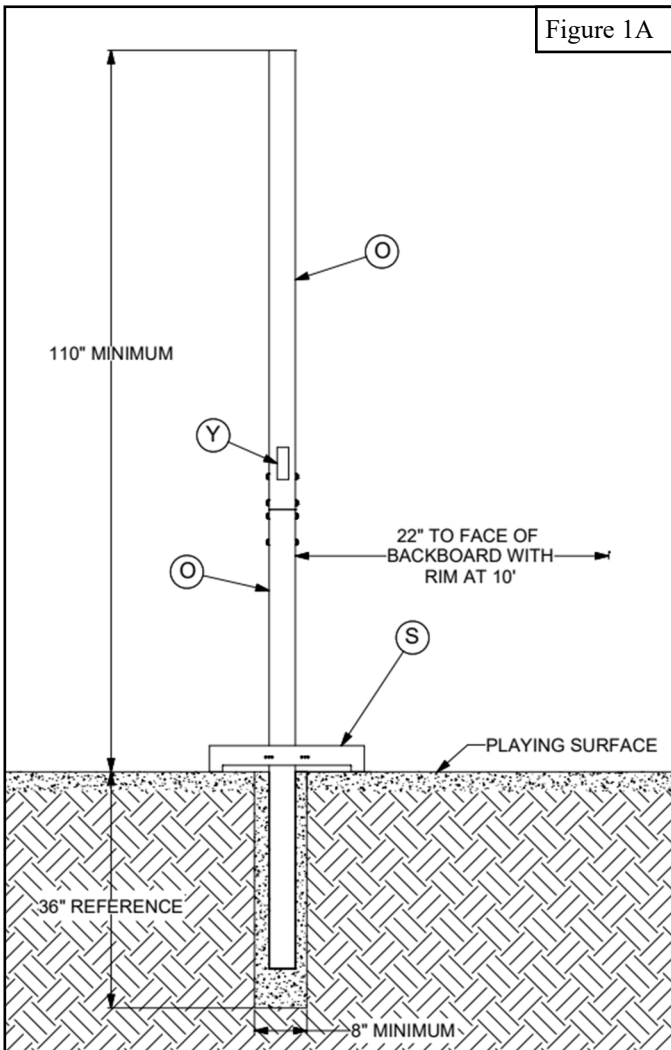
PARTS LIST					
Item	Qty	Description	Item	Qty	Description
A	1	Extension Arm Assembly	N	1	Rim and Net (packaged separately)
B	2	4" Square U-Bolt	O	2	4" Square Pole Sections (packaged separately)
C	4	1/2" Flat Washers	P	TBD	Quick Dry concrete (provided by customer)
D	4	1/2" Lock Washers	Q	1	Pole Pad (packaged separately)
E	4	1/2" Hex Nuts	R	2	1/4-20 x 8" Carriage Bolt
F	2	Upper Backboard Supports	S	2	Pre-Drilled Wooden Panels
G	2	Lower Backboard Supports	T	2	1/4-20 Wing Nut
H	4	Backboard Mounting Angles	U	8	1/2" Button Head Screws
I	8	5/16" x 1" Hex Bolts	V	8	1/2" Lock Washers
J	8	5/16" Flange Nuts	W	2	Pole Connector Bars
K	1	Pole Cap	X	1	5/16" Hex Key
L	1	Acrylic Backboard (packaged separately)	Y	1	Warning Label
M	1	Acrylic Hardware (packaged with backboard)			

### Warning!

**Improper installation, maintenance or use may cause product failure and serious personal injury.**

- ◆ Inspect all contents prior to installation. Report any missing parts to dealer immediately.
  - ◆ Carefully read all instructions before proceeding. Pay special attention to the safety instructions on page 4.
  - ◆ Save this instruction in the event that the manufacture must be contacted in the future for maintenance information.
1. Call your local utility locating service before digging, usually by dialing 811, to avoid serious injury or service interruptions. Also avoid lawn sprinkler lines.
  2. Determine the desired position of the pole assembly by taking into consideration that the distance between the front of the pole assembly and the face of the *Acrylic Backboard* (L) changes as the *Rim* (N) height is adjusted. At the top position (official 10' height) the distance is 22 1/2", at the lowest position the distance is 28" and at middle heights the distance is 30" to 31". See Figure 1A.
  3. Your pole is shipped in 2 sections reducing freight costs and handling difficulty, and increasing pole rigidity. Lay the two *Pole Sections* (O) on a flat surface with the pole ends with the drilled holes end to end. See Figure 1C.
  4. Using the 1/2" *Button Head Screws* (U), 1/2" *Lock Washers* (V), and 5/16" *Hex Key* (X) attach two *Pole Connector Bars* (W) to the inside of the end of one of the two *Pole Sections* (O). See Figure 1C.
  5. Slide the other *Pole Section* (O) over the two *Pole Connector Bars* (W) and up against the partially assembled *Pole Section* (O). See Figure 1C.
  6. Using the remaining 1/2" *Button Head Screws* (U) and 1/2" *Lock Washers* (V), attach the 2nd *Pole Section* (O) to the *Pole Connector Bars* (W). See Figure 1C.
  7. Tighten all 1/2" *Button Head Screws* (U) only when the two *Pole Sections* (O) fit tightly together.

8. Dig a minimum 8" diameter footing at least 36" deep, deeper in heavy frost areas. Remove dirt in the bottom 1/3 of the hole in a bell shape to improve pole stability. Amount of *Quick Dry Cement (P)* required will depend on final size of hole but an 8" hole, 36" deep with minor soil removal from the bottom will require approximately 1.25 cubic ft. of premixed concrete. Always better to have too much rather than too little on site. See Figure 1A.
9. Fill the footing to the top with medium wet, fully mixed concrete. **Never use the Quick Dry Concrete (P) dry.**
10. Using the two 1/4-20 X 8" Carriage Bolts (R) and 1/4-20 Wing Nuts (T) provided, sandwich the two Pre-Drilled Wooden Panels (S) around the pole at a location where the square pole protrudes from the footing. Use the set of holes in the Pre-Drilled Wooden Panels (S) that are closest to the sides of the pole depending on pole size. Position them as shown in the illustration to allow clearance above the concrete footing. See Figure 1B.
11. Tension the 1/4-20 Wing Nuts (T) so that the wood cannot move up or down on the pole once you are satisfied that the pole is protruding above the court surface the height specified. See Figures 1A and 1B.



12. Adjustment of the angle of the *Pre-Drilled Wooden Panels (S)* on the pole to match the ground surface adjacent to the footing by slightly loosening and re-tightening the *1/4-20 Wing Nuts (T)* will help keep the pole plumb while concrete is curing.
13. Insert the pole assembly into the center of the footing making sure that the flat front face of the pole assembly is square to the playing surface. Install the warning label (Y) at eye level on the rear of the pole. **If your warning label becomes damaged or unreadable, request a no cost replacement from the manufacturer.** See Figure 1A.
14. While the concrete is still wet and the pole assembly is movable, adjust the *Pole Installation Aid Kit (P)* on the pole assembly to help maintain the top of the pole assembly at 110" from the playing surface, plumb in both directions with the front face parallel to the court. See Figure 1A.
15. Fill the inside of the pole assembly with wet *Quick Dry Concrete (P)* if desired to increase pole stability. This will require approximately 1.25 cubic foot of additional concrete. Trowel the top of the footing and clean the concrete off the pole for a finished look.
16. Allow at least **4 days** for the concrete to cure before completing the installation to avoid footing failure.
17. Drill an 1/8" - 1/4" hole thru one wall in the bottom of your pole assembly opposite the playing surface to insure no water builds up inside of pole. This is not required if you chose to fill the pole with concrete.
18. Discard this installation aid once footing is cured.

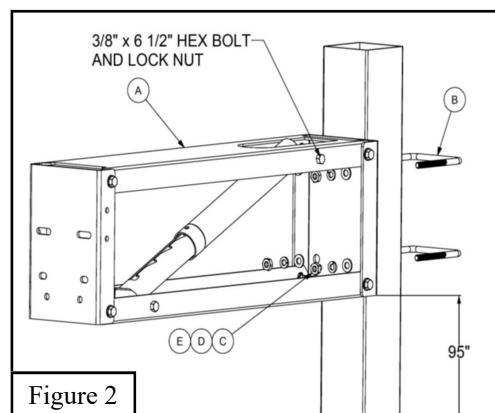


Figure 2

**Note:**

**Extension Arm Assembly (A) comes preassembled. Remove from box with the cable tie intact. Lay assembly on a flat surface then cut cable tie. Use caution as you handle the assembly to avoid finger entrapment during installation.**

**Warning!**  
**Placement of Qwik-Change below the 95" shown in Figure 2 is not advisable as it seriously increases the chance of injury to young players.**

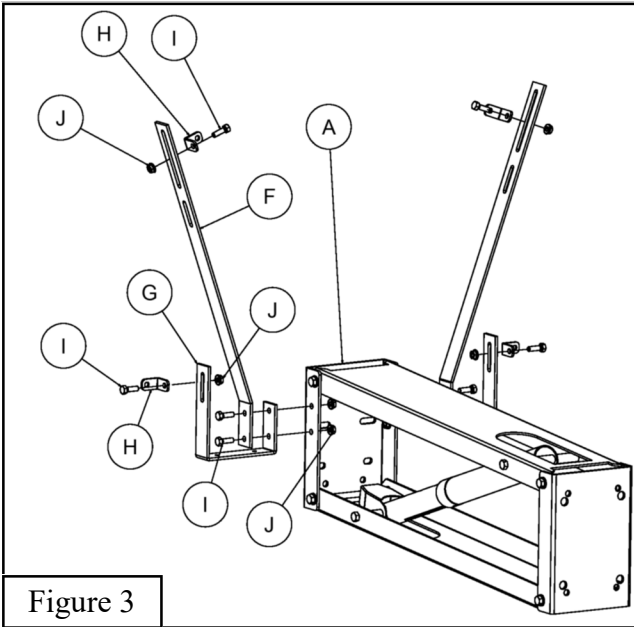


Figure 3

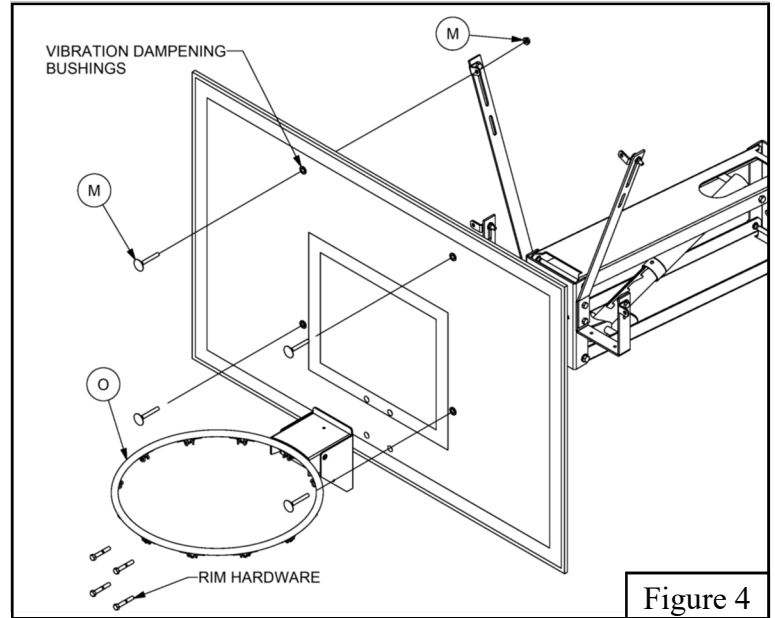


Figure 4

19. Using a marker or masking tape, mark the pole assembly 95" above the actual playing surface. Placement of the *Extension Arm Assembly (A)* below 95" is not advisable as it increases the chance of injury to young players. See Figure 2.
20. Remove the 3/8" hex lock nut and 3/8" x 6 1/2" Hex Bolt from the upper channel of the *Extension Arm Assembly (A)* and attach the upper end of the rim height adjustment mechanism to the *Extension Arm Assembly (A)*. See Figure 2.
21. Using two 4" *Square U-Bolts (B)*, four 1/2" *Flat Washers (C)*, four 1/2" *Lock Washers (D)*, and four 1/2" *Hex Nuts (E)* mount the *Extension Arm Assembly (A)* loosely to the front of the pole assembly at eye level or higher from a ladder or bed of a pickup. See Figure 2.
22. Carefully maneuver the *Extension Arm Assembly (A)* up the pole assembly to a height where the bottom of the pole plate on the front of the *Extension Arm Assembly (A)* is in line with the 95" height marking on the pole assembly. See Figure 2.
23. Tighten the four 1/2" *Hex Nuts (E)* on the 4" *Square U-Bolts (B)* making sure that the 4" *Square U-Bolts (B)* are parallel to the ground and that the *Extension Arm Assembly (A)* is square on the pole assembly.
24. Mount the *Upper Backboard Supports (F)* and *Lower Backboard Supports (G)* to the holes on the sides of the mounting plate on the *Extension Arm Assembly (A)* furthest from the 4" *Square Pole (P)* using 5/16" x 1" *Hex Bolts (I)* and 5/16" *Flange Nuts (J)*. See Figure 3.
25. Loosely attach the *Backboard Mounting Angles (H)* to the ends of the *Upper and Lower Backboard Supports (F) & (G)* using 5/16" x 1" *Hex Bolts (I)* and 5/16" *Flange Nuts (J)*. Do not tighten at this time. See Figure 3.
26. Assemble the *Rim (N)* using the instructions provided with the *Rim (N)*.
27. Mount the *Acrylic Backboard (L)* and *Rim (N)* to the front of the *Extension Arm Assembly (A)* using the rim mounting hardware packaged with the *Rim (N)*. Bolts should pass through the *Rim (N)*, then the *Acrylic Backboard (L)* and then the front mounting plate on the *Extension Arm Assembly (A)*. Tighten when the *Rim (N)* and the *Acrylic Backboard (L)* are level. See Figure 4.

28. Attach the previously assembled *Backboard Mounting Angles* (H) to the *Acrylic Backboard* (L) with the *Acrylic Hardware* (M) provided with the *Acrylic Backboard* (L). See Figure 4 to insure that the hardware is properly installed to isolate all steel components from the acrylic by the vibration dampening bushings. Tighten when all components are level and flat.

**TO RAISE GOAL:** Place the end of a suitable lifting pole (I.E. broom handle) under the rim or backboard and push upward until desired height is reached. The mechanism will automatically lock in one of the fixed adjustment positions as unit is lowered slightly. See Figure 5.

**TO LOWER GOAL:** Place pole into the black release cup of the adjustment mechanism, push upward to release, then lower the goal to the lowest position. The mechanism will not lock at intermediate positions on the way down as long as the cup is depressed. QWIK-CHANGE is designed to adjust from 7 1/2' to 10' in 6" increments. See Figure 5.

29. Raise the *Rim* (N) to the highest position and measure the distance from the top of the *Rim* (N) to the playing surface. If necessary, adjust to the official 10' playing height by loosening 1/2" *Hex Nuts* (E) on the 4" *Square U-Bolts* (B), then slide the entire unit up or down the pole assembly. **USE CAUTION NOT TO DROP UNIT DOWN THE 4" SQUARE POLE (P) RISKING PERSONAL INJURY OR DAMAGE TO THE POWDER COATED FINISH ON THE POLE.** Retighten 1/2" *Hex Nuts* (E) once you have achieved 10'.

30. Place *Pole Cap* (K) on top of the pole assembly to keep out water. Install *Net* (N) and *Pole Pad* (Q).

31. You are now ready for play.

32. If your QWIK-CHANGE mechanism becomes difficult to adjust, lubricate all pivot points and the area in and round the height adjustment mechanism release cup with a light machine oil. (i.e.: sewing machine oil or WD-40)

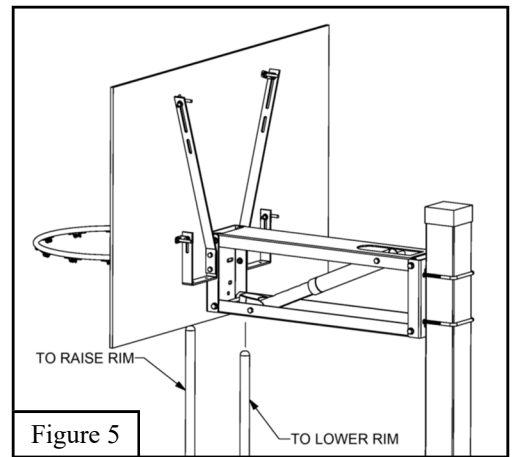


Figure 5

**⚠ WARNING**

**FAILURE TO FOLLOW THESE WARNINGS MAY RESULT IN SERIOUS INJURY AND/OR PROPERTY DAMAGE.**

*Owner must ensure that all players know and follow these rules for safe operation of the system.*

- DO NOT remove or cover this warning label
- DO NOT HANG on the rim or any part of system including backboard, support braces or net.
- During play, especially when performing dunk type activities, keep player's face away from the backboard, rim and net. Serious injury could occur if teeth/face come in contact with backboard, rim or net.
- Do not slide, climb or play on pole.
- When adjusting height, keep hands and fingers away from moving parts.
- Do not allow young children to adjust system.
- During play, do not wear jewelry (rings, watches, necklaces, etc.). Objects may entangle in net.
- Keep organic material away from pole base. Grass, Litter, etc. could cause corrosion and/or deterioration.
- Check pole system for signs of corrosion (rust, pitting, chipping) and repaint with exterior enamel paint available from the manufacturer. If rust has penetrated through the steel anywhere, replace pole immediately.
- Check system before each use for loose hardware, excessive wear signs of corrosion and general instability and repair before play is allowed.
- Never play on damaged equipment.

BISON, INC.    1-800-247-7668    BA730

**⚠ SAFETY INSTRUCTIONS ⚠**

**FAILURE TO FOLLOW THESE SAFETY INSTRUCTIONS MAY RESULT IN SERIOUS INJURY, PROPERTY DAMAGE AND WILL VOID WARRANTY.**

*Owner must ensure that all players know and follow the rules for safe operation of this system.*

*To ensure safety, do not assemble this system without following the instructions carefully. A high probability of serious injury exists if this system is not installed, maintained, and operated properly.*

- If using a ladder during assembly, use extreme caution.
- 2 people are recommended for safe assembly.
- Before digging, contact utility company to locate underground power cables, gas and water lines. Ensure there are no overhead power lines within 20 ft. (7m) radius of pole location.
- Climate, corrosion or misuse could result in system failure.
- If technical assistance is required, contact the manufacturer.
- Minimum operational height is 6'6" (1.98m) to the bottom of the backboard. Do not install so that bottom of backboard is below this height.
- Assembly will require lifting and bending that may result in injury to persons not accustomed to this type of activity.

**Most injuries are caused by misuse and/or not following instructions. Use caution when using and installing this system**