

# **BA894 Lock**

T-Rex Transport Lock

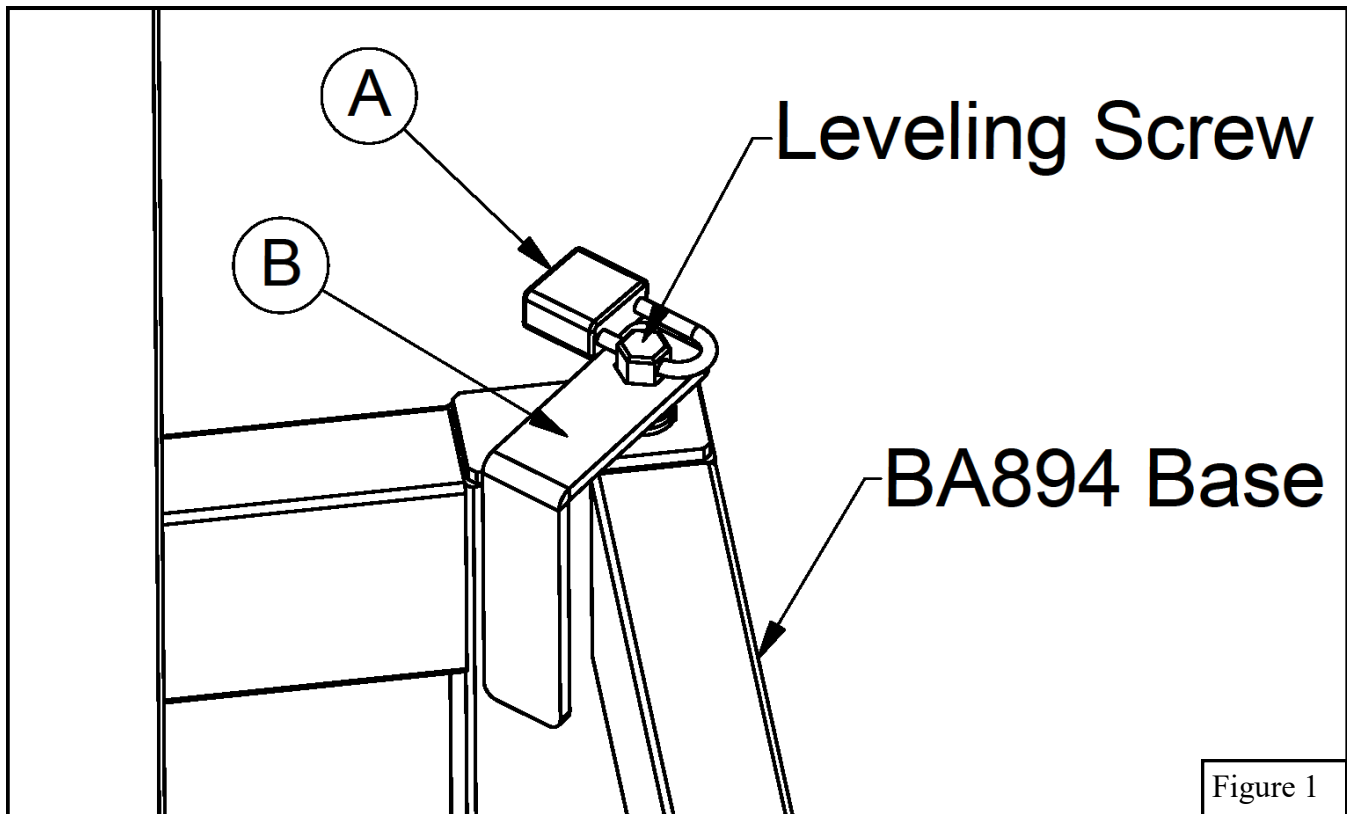


Customer Service  
(800) 247-7668

PARTS LIST					
Item	Qty	Description	Item	Qty	Description
A	1	Large Padlock	C	1	Small Padlock
B	1	Lock Plate			

- ◆ Inspect all contents prior to installation. Report any missing parts to dealer immediately.
- ◆ Read all instructions before proceeding.

1. To prevent unwanted movement of your BA894 System first make sure the leveling screws are screwed down enough to raise the front wheels off the ground. Then rotate one leveling screw so the hole through the hex head is approximately at a 45° angle to the front or side of the base. Place the *Lock Plate* (B) over the hex head with the bent tab on the inside of the base. Then take the *Large Padlock* (A) and feed it through the hole in the hex head of the leveling screw and lock it. See Figure 1.



- 2. To prevent unwanted raising or lowering of your BA894 System either raise or lower the unit to the desired play or storage position. Install the hitch pin through the correct hole in the height adjuster. Install the *Small Padlock* (C) through the hole in the end of the hitch pin. See Figure 2.

