

# MAX PORTABLE/ADJUSTABLE BASKETBALL SYSTEM



Customer Service  
(800) 247 7668

Models BA853A, BA853G and BA853GXL

## PARTS LIST

Item	Description	BA853A Qty	BA853G Qty	BA853GXL Qty	Item	Description	BA853A Qty	BA853G Qty	BA853GXL Qty
A	Base Assembly	1	1	1	CC	BA481 Backboard		1	
B	Left Hand Protection Pad	1	1	1	DD	BA487 Backboard			1
C	Right Hand Protection Pad	1	1	1	EE	Backboard Mounting H-Frame (BA18AHF)	1		
D	Center Protection Pad	1	1	1	FF	Board Mounting Angle (BA18AHF)	2		
E	Pole Protection Pad	1	1	1	GG	1/2" X 7" Hex Bolt	2		
F	4" Square U-Bolt	2	2	2	HH	Backboard Mounting H-Frame(BA36GHF)		1	1
G	1/4" Flat Washer	12	12	12	II	5/16" X 1 1/4" Hex Bolt	4		
H	1/2" Hex Nut	4	4	4	JJ	5/16" X 1" Screw		4	4
I	1/2" Lock Washer	4	4	4	KK	5/16" Flat Washer	4	4	4
J	1/4" X 1" Hex Bolt	12	12	12	LL	5/16" Lock Washer	4	4	4
K	Weight Cover	1	1	1	MM	5/16" Hex Nut	4	4	4
L	Vertical Pole	1	1	1	NN	Black Rubber Bumper	8		
M	Horizontal Extension Arm	1	1	1	OO	1/4" X 1 1/4" Elevator Bolt	4		
N	Horizontal I-Rod	1	1	1	PP	1/4" Hex Nut	4		
O	Safety Shock	3	3	3	QQ	Tubular Spacer		4	4
P	Height Adjustment Crank	1	1	1	RR	Rim Mounting Bushing		4	4
Q	Shock Bushings	7	7	7	SS	1/2" Flat Washer	10	10	10
R	1/2" X 6 " Hex Bolt	2	2	2					
S	1/2" X 4 1/2" Hex Bolt	1	1	1					
T	1/2" Lock Nut	8	8	8					
U	1/2" X 8" Hex Bolt	2	4	4					
V	1/2" X 4" Hex Bolt	1	1	1					
W	Rim Height Indicator Label	1	1	1					
X	Backboard Padding (If applicable)	1	1	1					
Y	4" X 8" X 16" Solid Concrete Blocks (supplied by costumer)	25	25	25					
Z	BA29JR Rim	1							
AA	BA32 Rim		1	1					
BB	BA46A Backboard	1							

**NOTE:** Some items listed on this parts list do no apply to all models. Some parts on this list are packaged in separate rim, backboard or H-Frame boxes.

- ◆ Inspect all contents prior to installation. Report any missing parts to dealer immediately.
- ◆ Read all instructions before proceeding.
- ◆ Save this instruction in the event that the manufacturer must be contacted in the future.

**Warning!**

While gym floor installers and refinishers often indicate floors are OK to walk or play on in 7-10 days after oil based polyurethane finishes are applied, in reality, it can actually take up to 30 days for all the chemicals in the polyurethane to dissipate. Chemical reactions between the floor finish and certain materials including urethane feet contacting the floor can cause permanent discoloration. Placement of this product on floors prior to the 30-day final cure period may risk discoloration that would not be covered by the manufacturer's warranty.

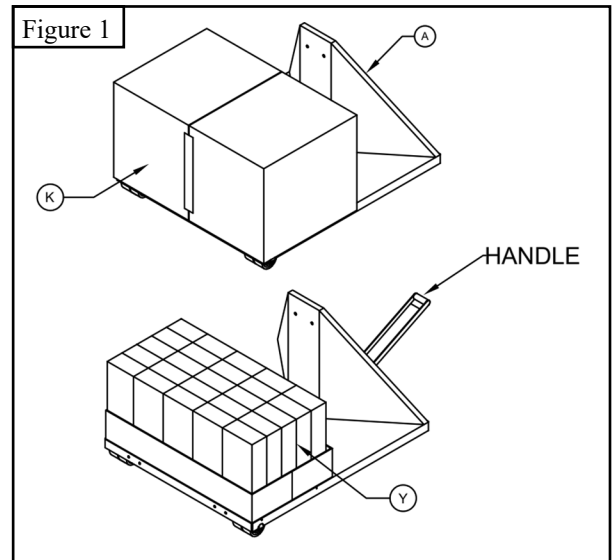
**Warning!**

Young players are at risk when they slam dunk on popular lowered height basketball systems. PLEASE take responsibility for controlling dangerous activity.

**Warning!**

Assembly or operation without required 850# of weight (not included) in position under weight cover will result in unit tipping over causing injury or damage.

1. The *Base Assembly* (A) is shipped pre-assembled and ready for installation of other components. See Figure 1.
2. Make sure the *Base Assembly* (A) rolls freely by pulling outward on the handle in the center of the front triangle. This will engage the front caster and allow transport. When the handles is returned to its retracted position the front feet are on the floor. These feet have been factory leveled, however, they are adjustable if necessary for final leveling of backboards and rim. See Figure 1.
3. Install 25 Each 4" X 8" X 16" *Solid Concrete Blocks* (Y) (850#, not provided) in the base ballast pan and install the *Weight Cover* (K). **DANGER!** Do not proceed with assembly until these blocks are installed. See Figure 1.

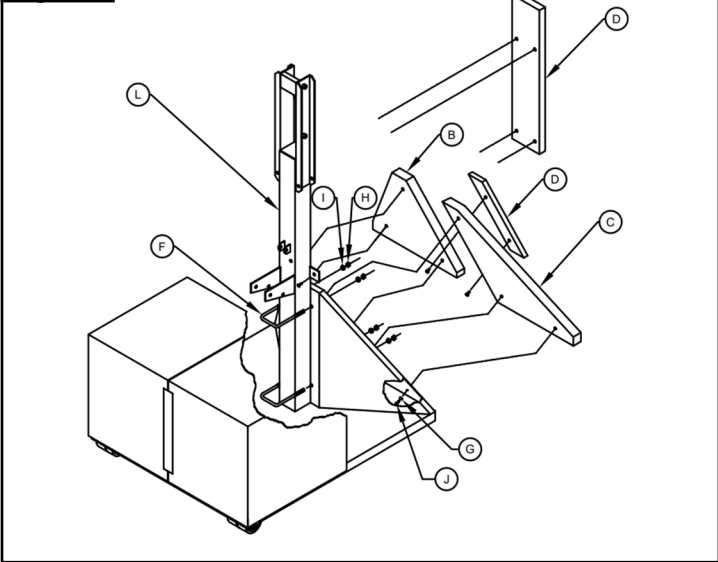


4. Attach the *Vertical Pole* (L) to the base using the 4" *Square U-Bolts* (F), 1/2" *Lock Washers* (I) and 1/2" *Hex Nuts* (H) provided. Make sure the *Vertical Pole* (L) is square and plumb with the front feet on the floor before tightening. See Figure 2.
5. Attach *Left Hand Protection Pad* (B), *Right Hand Protection Pad* (C), *Center Protection Pad* (D) and *Pole Protection Pad* (E) using 1/4" *Flat Washers* (G) and 1/4" X 1" *Hex Bolts* (J) provided. The holes in the wood backing have threaded inserts for easy installation. See Figure 2.
6. Slide the *Horizontal Extension Arm* (M) through the opening in the *Vertical Pole* (L). Assemble with 1/2" X 6" *Hex Bolt* (R) and 1/2" *Lock Nut* (T). See Figure 3.

**NOTE:**

Safety shocks should be mounted with the outer telescoping tube at top. See Figure 4

Figure 2



**NOTE:** Leave all 1/2" Lock Nuts (T) installed from instruction #6 through #9 loose to allow all components to move freely.

7. Install bottom of *Safety Shocks* (O) using 1/2" X 8" Hex Bolts (U), 1/2" Flat Washers (SS) and *Shock Bushings* (Q) onto the small tabs on the *Vertical Pole* (L). See Figure 4
8. Attach top of *Safety Shocks* (O) to *Horizontal Extension Arm* (M) using 1/2" X 8" Hex Bolt (U), 1/2" Lock Nut (T) and *Shock Bushing* (Q). See Figure 4
9. Install *Height Adjustment Crank* (P) with handle at the top using 1/2" X 4" Hex Bolt (V) and 1/2" Lock Nut (T) onto the *Horizontal Extension Arm* (M). Use 1/2" x 4 1/2" Hex Bolt (S) and 1/2" Lock Nut (T) to attach to *Vertical Pole* (L). See Figure 5
10. Install the *Horizontal I-Rod* (N) to the *Vertical Pole* (L) with 1/2" X 6" Hex Bolt (R) and 1/2" Lock Nut (T). See Figure 6

Figure 3

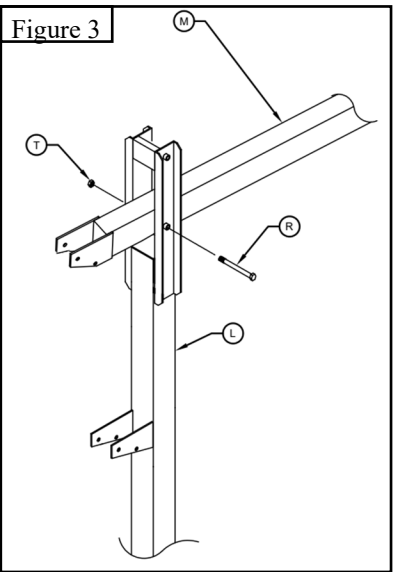


FIGURE 4

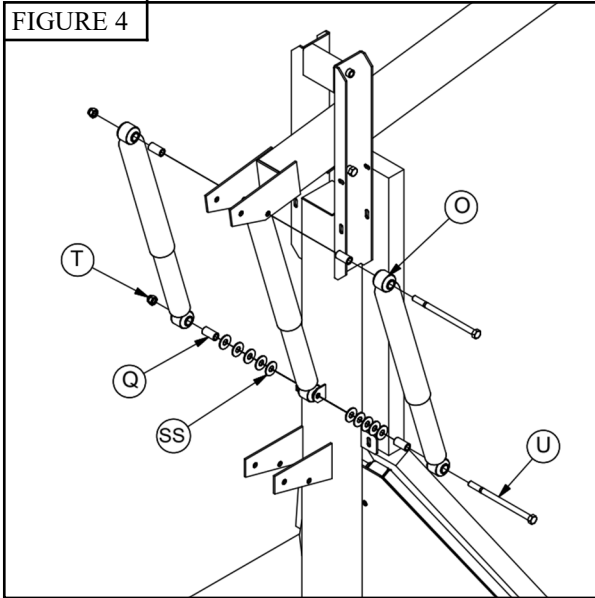


FIGURE 5

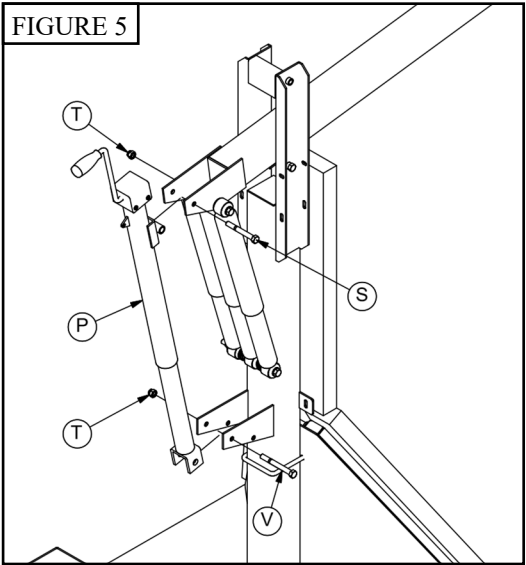
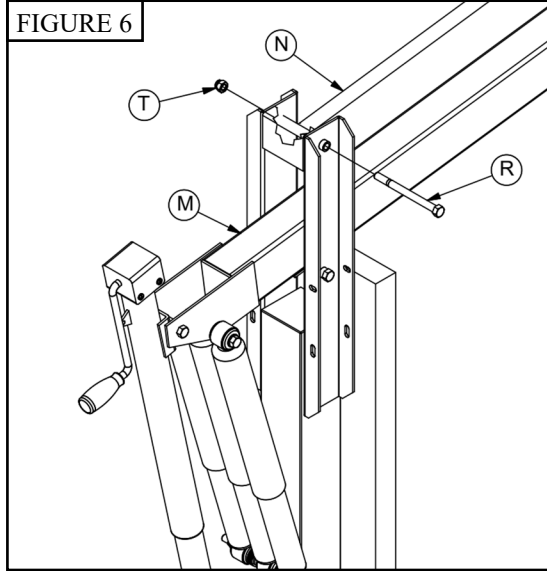
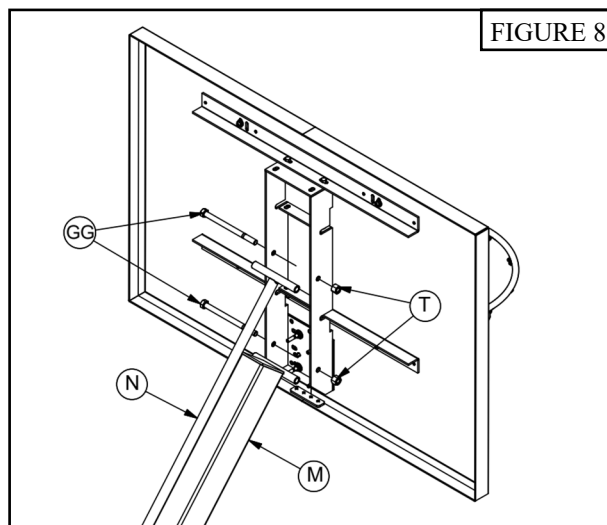
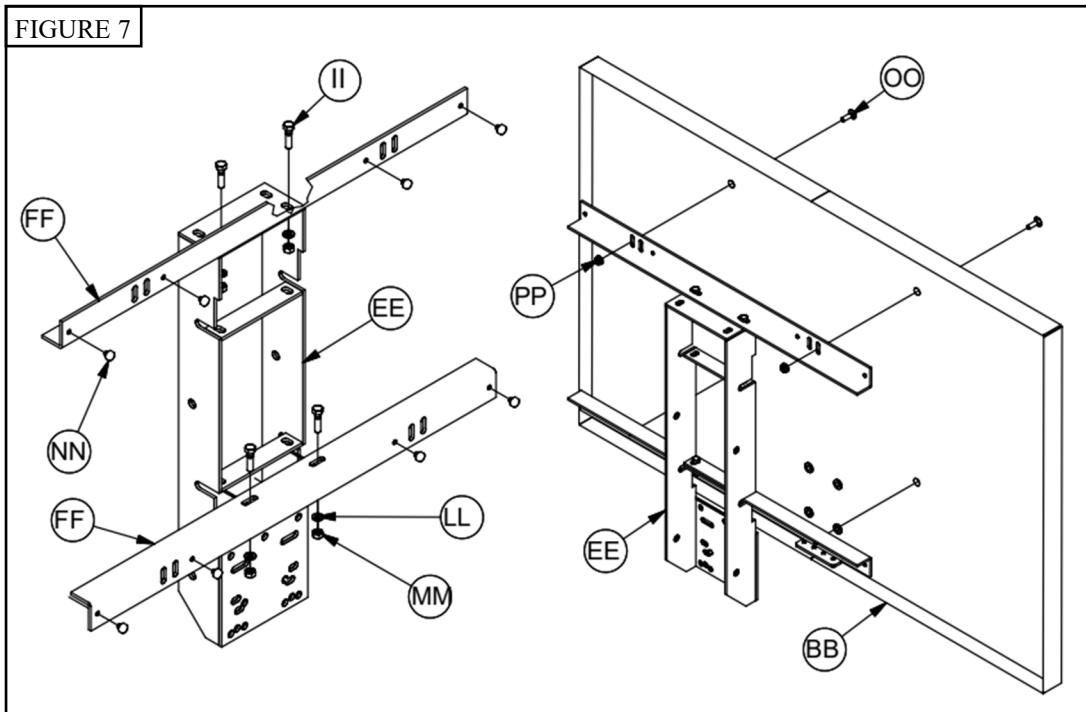


FIGURE 6



**If you are assembling BA853A:**

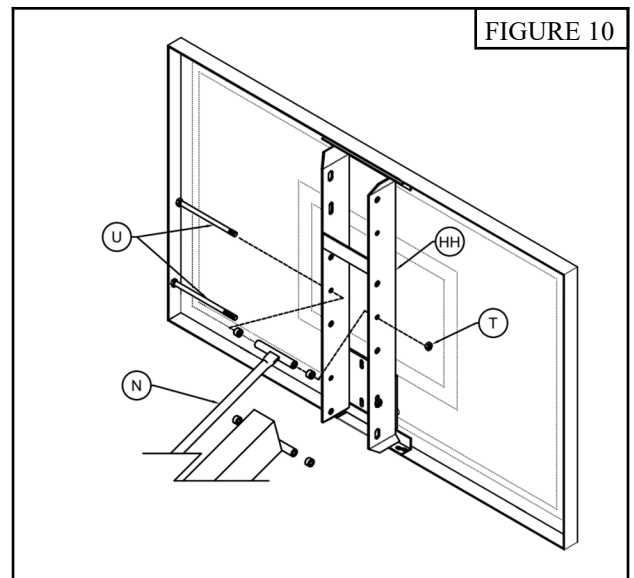
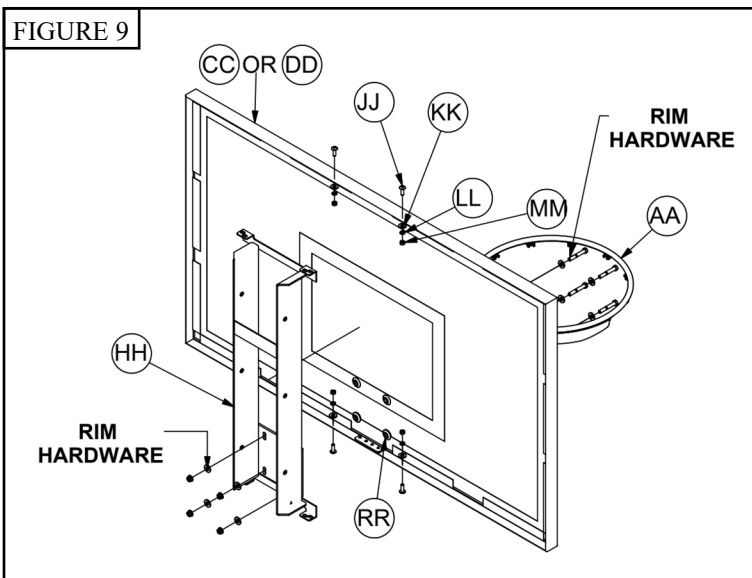
- 11a. Install the 8 *Black Rubber Bumpers* (NN) into the *Board Mounting Angles* (FF). See Figure 7.
- 12a. Use  $5/16'' \times 1\ 1/4''$  *Hex Bolts* (II),  $5/16''$  *Lock Washers* (LL) and  $5/16''$  *Hex Nuts* (MM) to attach one *Board Mounting Angle* (FF) to the top front mount positions and the second *Board Mounting Angle* (FF) to the bottom mount position on the *Backboard Mounting H-Frame* (EE). Finger tighten all hardware at this time. See Figure 7.
- 13a. Mount the *BA46A Backboard* (BB) to this assembly using  $1/4'' \times 1\ 1/4''$  *Elevator Bolts* (OO),  $1/4''$  *Hex Nuts* (PP) and the instructions found in the backboard box. See Figure 7.
- 14a. Assemble the *BA29JR Rim* (Z) and attach to the assembly in 13a above using hardware provided with the rim.
- 15a. Install complete Backboard/H-Frame Assembly in 14a above to the unit using  $1/2'' \times 7''$  *Hex Bolts* (GG) and  $1/2''$  *Lock Nuts* (T). Do not fully tighten. See Figure 8.
- 16a. Proceed to #17.



**If you are assembling a BA853G or BA853GXL Portable:**

- 11b. Lay backboard front face down on your work surface. Check to ensure that the four *Rim Mount Bushings* (RR) are installed in the corresponding rim holes in the backboard. If any are missing, check the inside of the backboard box. Do not assemble without all 4 bushings. See Figure 9.
- 12b. Lay the *Backboard Mounting H-Frame* (HH) onto the *Backboard* (CC or DD) with the flat, slotted plate towards the backboard and the slots over the rim mounting holes in the backboard. See Figure 9.
- 13b. Use the *5/16" x 1" Screws* (JJ), *5/16" Flat Washers* (KK), *5/16" Lock Washers* (LL) and *5/16" Hex Nuts* (MM) to attach *Backboard Mounting H-Frame* (HH) to *Backboard* (CC or DD). Center the vertical slots in the H-frame rim mount plate over the rim holes in the backboard then tighten all hardware. See Figure 9
- 14b. Mount the *BA32 Rim* (AA) to the Assembly in 13b above using the hardware provided with the rim.
- 15b. With the *Horizontal Extension Arm* (M) at the lowest point at the backboard end, attach the backboard and H-frame assembly to the mounting tube on the end of the extension arm using a *1/2" x 8" Hex Bolt* (U) and *1/2" Lock Nut* (T). Swing the backboard to the vertical position and align the *Horizontal I-Rod* (N) to insert the *1/2" x 8" Hex Bolt* (U), then install the *Lock Nut* (T). See Figure 10.
- 16b. Proceed to #17.
17. Check to see if the *Base Assembly* (A) is level to the floor when it is setting on the front feet. Confirm that the *Vertical Pole* (L) is plumb. Adjust front feet until *Vertical Pole* (L) is plumb.
18. Raise and lower the backboard and confirm with a level that the backboard is plumb at all rim heights.
19. Tighten all *1/2" Lock Nuts* (T) at all pivot points and then loosen 1/2 turn allowing entire unit to move up and down freely. Tighten all other hardware.

**!WARNING!  
OVERTIGHTENING OF PIVOT POINT BOLTS WILL RESULT IN NON-WARRANTABLE  
DAMAGE TO THIS BASKETBALL SYSTEM**



20. To attach the *Rim Height Indicator Label (W)* crank up the unit until the top of the *Rim (Z or AA)* is 10' from the playing surface. Using a pencil make a line on one of the outer *Safety Shocks (O)* at the bottom end of the outer tube. Crank unit to its lowest rim height and affix the *Rim Height Indicator Label (W)* to the inner shock tube, lining up the pencil mark at the 10' line on the *Rim Height Indicator Label (W)*. See Figure 11.

21. Install net and you are ready for play.

