

# BA800

## Portable Rear Hold Down Kit



Customer Service  
(800) 247-7668

PARTS LIST					
Item	Qty	Description	Item	Qty	Description
A	2	Angle Brace	E	4	1/2" Hex Nut
B	2	Hand Knob	F	4	1/2" Lock Washer
C	2	VB25 Anchor	G	8	1/2" Flat Washer
D	4	1/2" X 1" Hex Bolt			

- ◆ Inspect all contents prior to installation. Report any missing parts to dealer immediately.
- ◆ Read all instructions before proceeding.

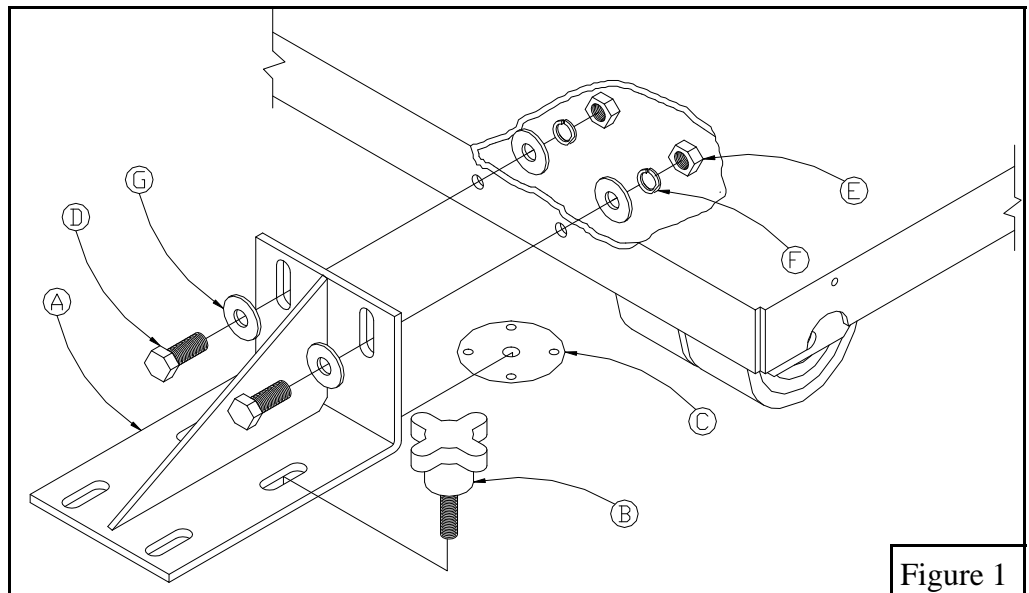
### Warning!

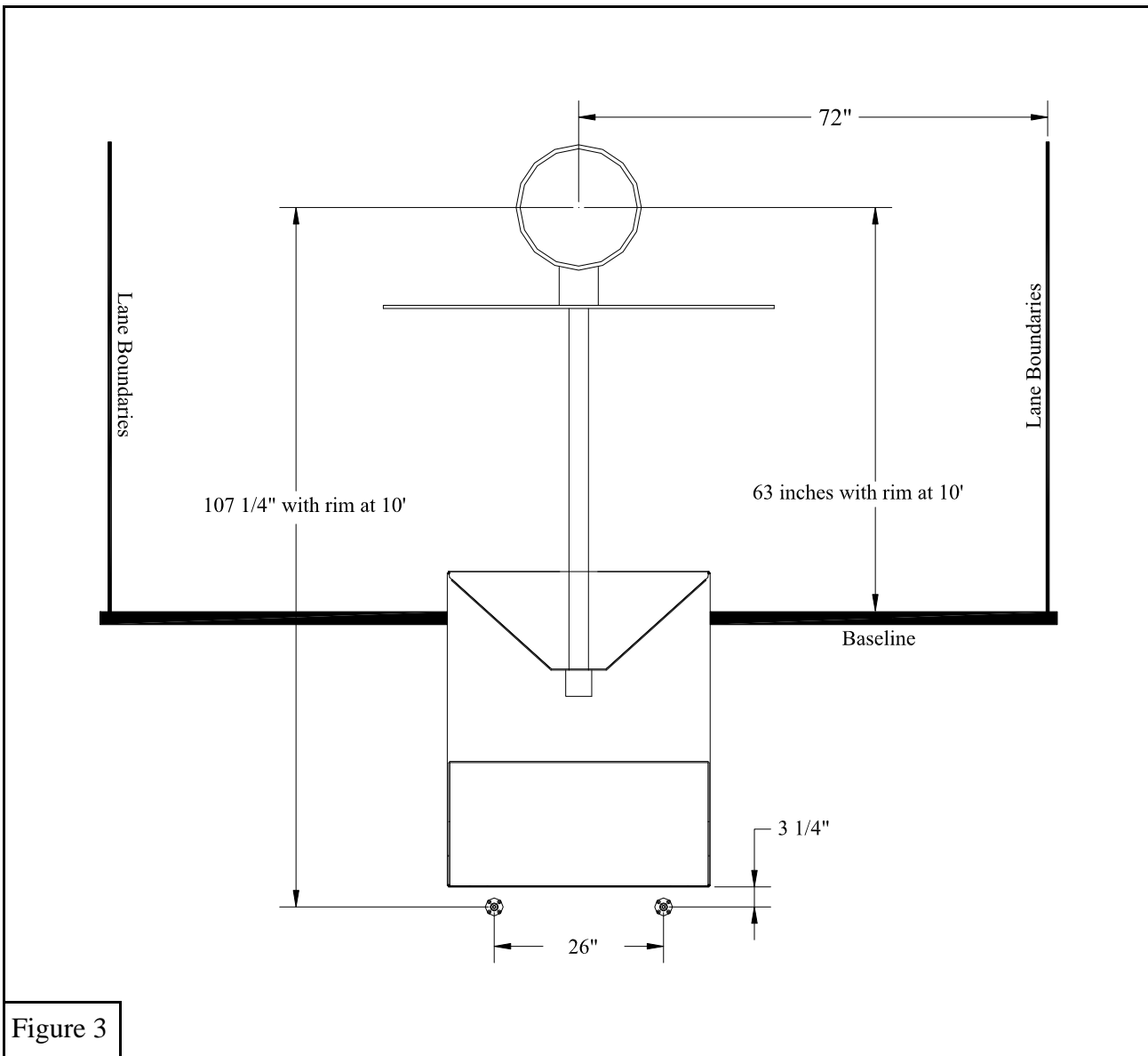
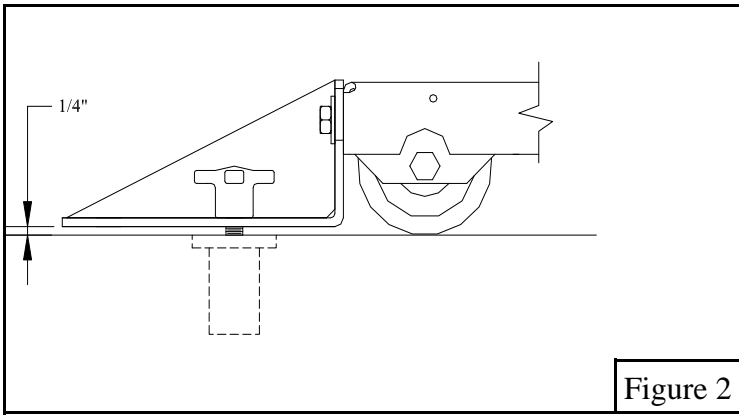
**It may be necessary to remove some of the ballast material in order to reach the underside of the unit. If so support unit in the front so it will not tip over.**

1. Tip unit forward and support so that you have enough clearance to easily reach the underside rear portion of the base.
2. Use the *1/2" X 1" Hex Bolts (D)*, *1/2" Flat Washers (G)*, *1/2" Lock Washers (F)* and *1/2" Hex Nuts (E)* to attach *Angle Brace (A)* to the base. Leave hardware finger tight. See Figure 1.
3. Set unit back onto the floor and position the bottom of *Angle Braces (A)* approximately 1/4" off the floor, tighten the hardware. See Figure 2.
4. Position the unit so that the back of the base is approximately 2" in front of the *VB25 Anchors (C)*.

5. Insert one *Hand Knob (B)* into each of the slots on the outer edge of *Angle Brace (A)* and tighten. See Figures 1 and 2.

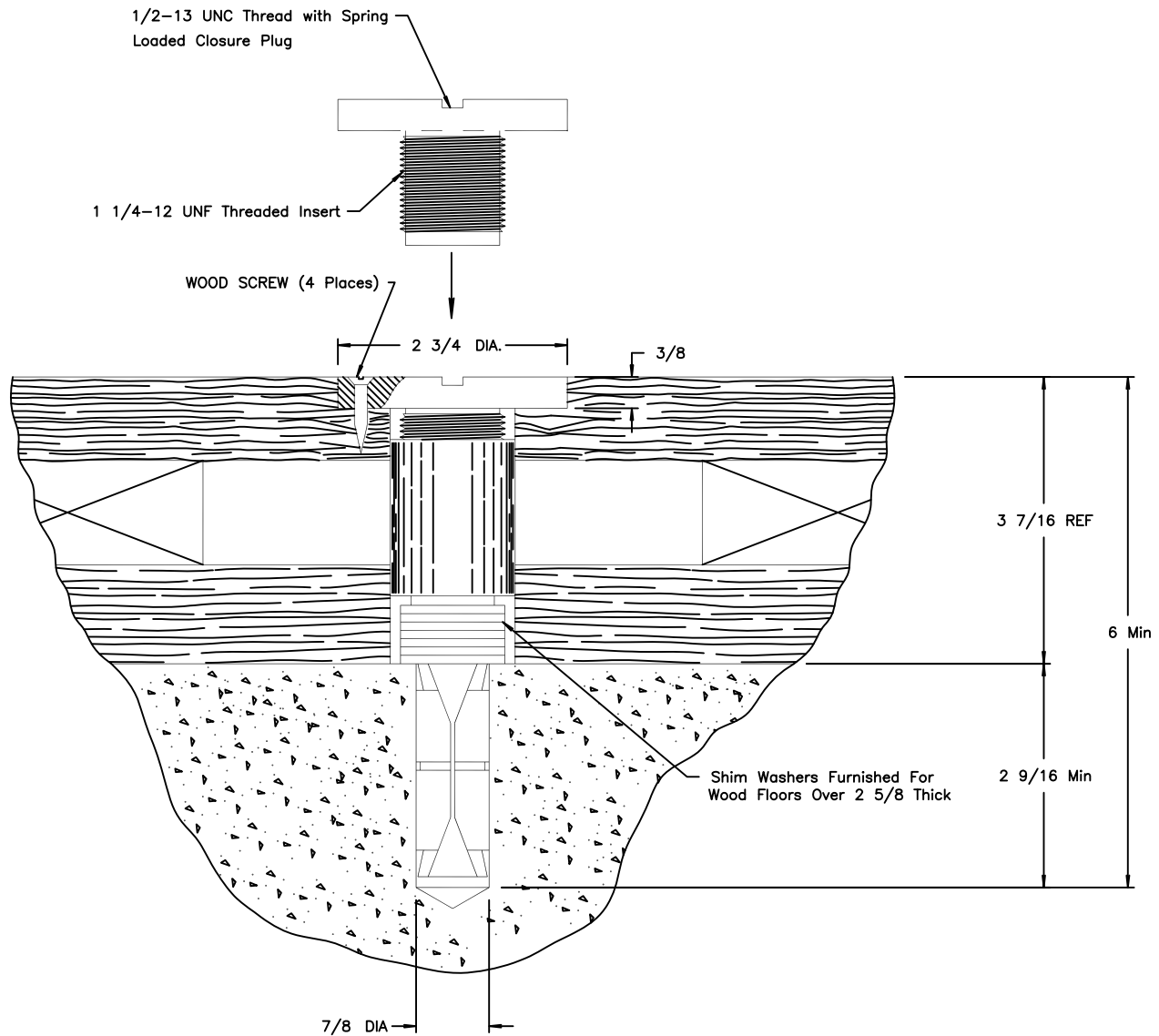
6. *VB25 Anchors (C)* must be installed 44 1/4" behind the baseline and 26" apart for the base to be positioned correctly on





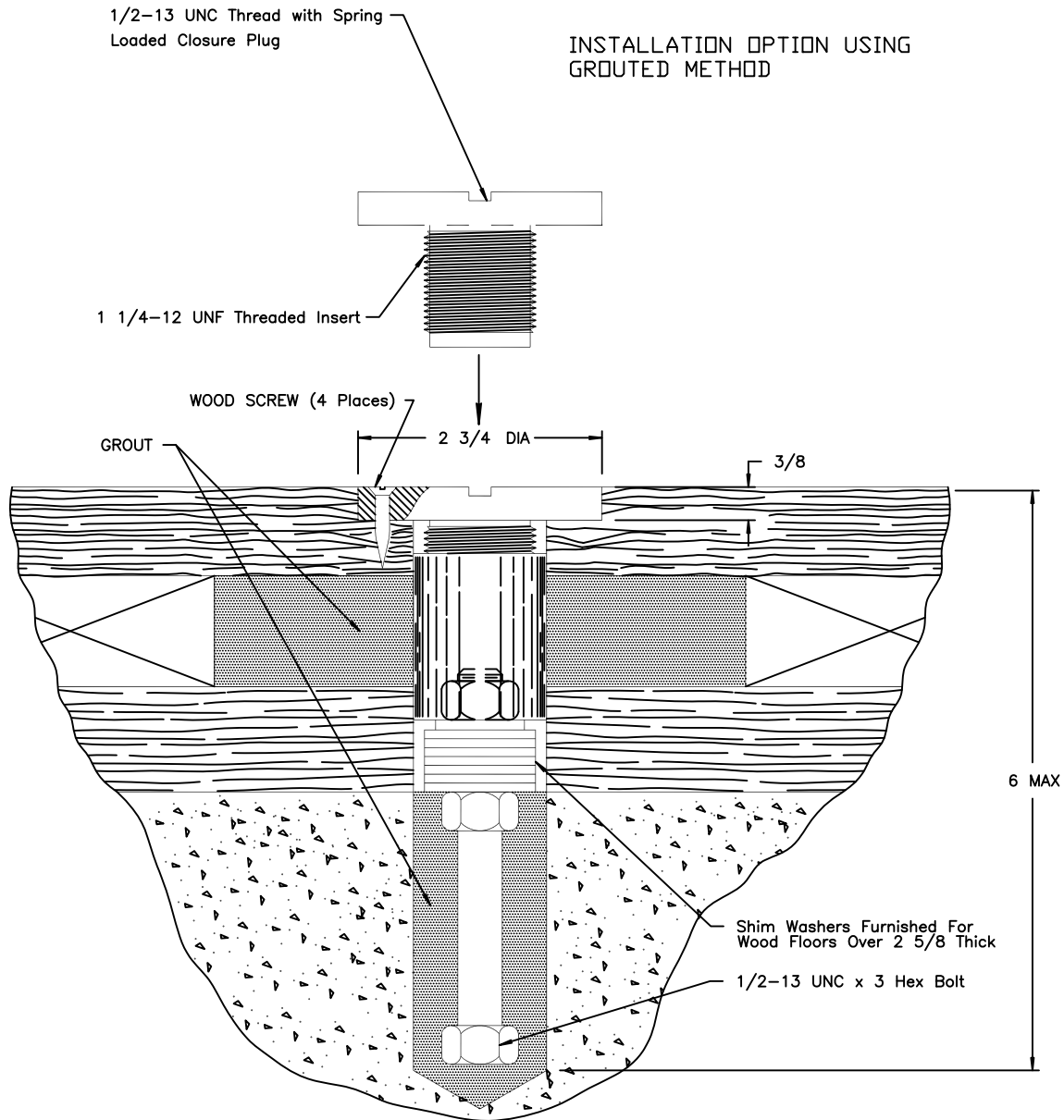
BISON INC.  
 INSTALLATION INSTRUCTIONS FOR  
 MODEL VB25FL DRILL IN FLOOR ANCHOR  
 FOR USE IN FLOATING WOODEN FLOORS

INSTALLATION OPTION USING  
 EXPANDING CONCRETE ANCHOR



IMPORTANT NOTE:

1. Pilot drill a 7/8" diameter hole through floor structure. Then use a 7/8" carbide tipped drill bit to extend the hole at least 2 9/16" into the concrete.
2. Open up hole in floor structure to 1 1/2" diameter, then route a hole 2 3/4" diameter by 3/8" deep at the top for the threaded insert. Use caution so that the top of the insert is not below the floor level. If possible, route the hole at least 1/16" in diameter oversize, to allow for swelling and shrinking of the wood floor. Filling any gap between the insert and the floor with silicone is recommended.
3. Insert the assembly as shown, fastening down the canister with the anchor. Be sure the canister is deep enough to allow the threaded insert to seat properly into the routed area of the floor.
4. Install threaded insert so the top is flush with the floor. Transfer the screw hole locations and drill 1/8" diameter pilot holes. Then install and tighten the wood screws (4) provided.



**IMPORTANT NOTE:**

1. Bore 1 1/2" diameter hole through floor and concrete using a carbide tipped drill bit to a depth of 6" maximum.
2. Route a hole 2 3/4" diameter by 3/8" deep at the top for the threaded insert. Use caution so that the top of the insert is not below the floor level. If possible, route the hole at least 1/16" in diameter oversize, to allow for swelling and shrinking of the wood floor. Filling any gap between the insert and the floor with silicone is recommended.
3. Remove anchor and turn bolt around as shown. Use the two nuts provided and lock bolt into canister.
4. Insert into hole and be sure grout gets into grooves outside of canister.
5. Transfer screw hole locations (4) onto floor and drill 1/8" diameter holes, then tighten wood screws provided.