

Note: Disregard this instruction if you are not using this backboard in conjunction with a Fan Backboard/Gooseneck Retrofit Kit.

— Instruction and Safe Use Manual —

Fan Backboard Retrofit Kit



Customer Service
(800) 247-7668

BA495A3, BA495A4 AND BA495A5

Note: For use on existing 3 1/2", 4 1/2" or 5 9/16" diameter gooseneck style basketball poles

PARTS LIST

Item	Qty	Description	Item	Qty	Description
A	1	BA495 Fan Steel Backboard	J	3	4 1/2" Band Clamp (BA495A4 only)
B	1	3 1/2" Backboard Mounting Adapter (BA495A3 only)	K	3	5 9/16" Band Clamp (BA495A5 only)
C	1	4 1/2" Backboard Mounting Adapter (BA495A4 only)	L	3	5/16" X 2" Carriage Bolt
D	1	5 9/16" Backboard Mounting Adapter (BA495A5 only)	M	3	5/16" Flange Nut
E	6	7/16 X 1 1/2" Carriage Bolt	N	2	Backboard Brace
F	6	7/16" Flat Washer	O	2	1/2" Square Head Set Screw
G	6	7/16" Lock Washer	P	2	1/2" Jam Nut
H	6	7/16" Hex Nut	Q	1	1/4" X 1" Roll Pin
I	3	3 1/2" Band Clamp (BA495A3 only)	R	1	Rim (ordered separately)

***EXTRA HARDWARE MAY BE PROVIDED**

- Confirm that the size of the existing pole matches the size of the Backboard Mounting Bracket (B, C or D) and Band Clamps (I, J or K) that were ordered.
- Inspect all contents prior to installation. Report any missing parts to dealer immediately.
- Read all instructions before proceeding
- Save this instruction in the event that the manufacturer must be contacted in the future.

Warning!

IMPROPER INSTALLATION, MAINTENANCE OR USE MAY CAUSE FAILURE AND SERIOUS PERSONAL INJURY.

1. The height of the *Rim* (R) when attached to the *BA495 Fan Steel Backboard* (A) can be adjusted below the top of the horizontal extension of the existing pole between 5" and 28" depending on the diameter of your pole when using the retrofit kit to achieve a lower *Rim* (R) height. See Figure 1.

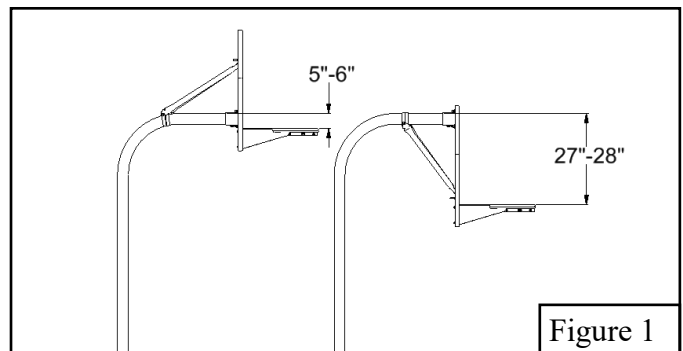


Figure 1

2. Install the *Rim (R)* to the *BA495 Fan Steel Backboard (A)* using the four holes near the bottom of the *BA495 Fan Steel Backboard (A)* with hardware provided with the *Rim (R)*. Tighten hardware when the *Rim (R)* is level with the shooters square on the face of the *BA495 Fan Steel Backboard (A)*. See Figure 2

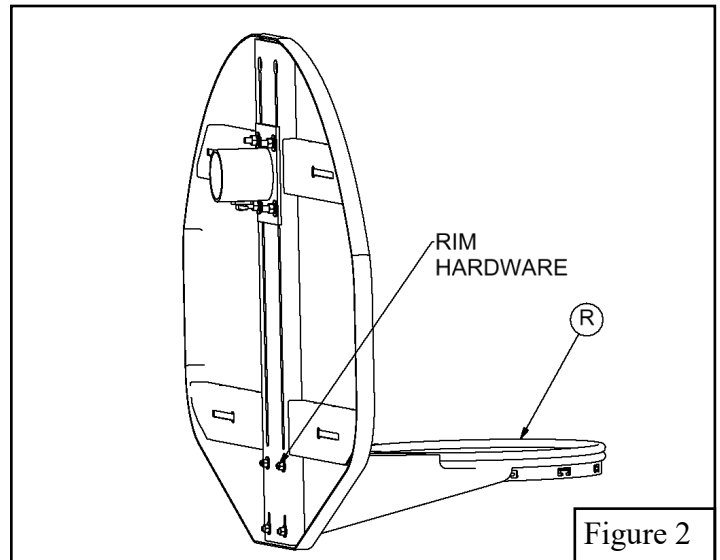


Figure 2

3. Install four $7/16'' \times 1\ 1/2''$ Carriage Bolts (E), $7/16''$ Flat Washers (F), $7/16''$ Lock Washers (G) and $7/16''$ Hex Nuts (H) into Backboard Mounting Adaptor (B, C or D). Leave hardware loose. See Figure 3.

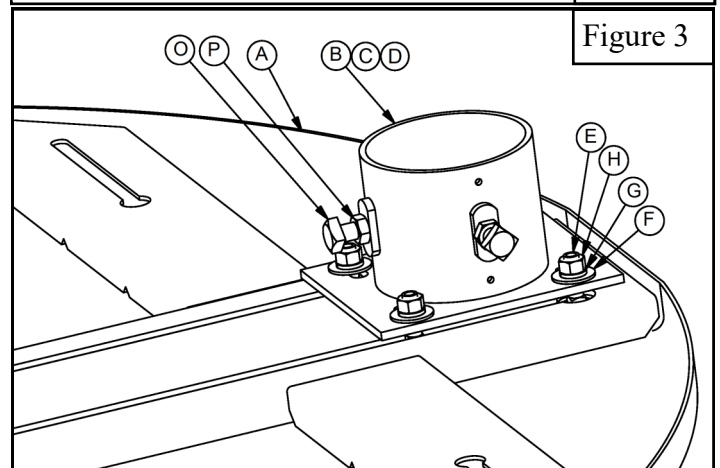


Figure 3

4. Insert the $7/16'' \times 1\ 1/2''$ Carriage Bolts (E) from the above assembly into the holes at the top of the vertical slots in *BA495 Fan Steel Backboard (A)* and slide assembly down the *BA495 Fan Steel Backboard (A)* to the location closest to the *Rim (R)*. Temporarily tighten hardware. See Figures 3 and 4.

5. Thread $1/2''$ Jam Nuts (P) onto the $1/2''$ Square Head Set Screws (O). Thread the two $1/2''$ Square Head Set Screws (O) partway into the Backboard Mounting Adaptor (B, C or D). See Figure 3.

6. Slide two Band Clamps (I, J or K) onto the horizontal portion of the gooseneck pole. Discard the extra Band Clamps (I, J or K). See Figure 5.

7. Place the assembly from instruction #5 above onto the end of the pole. It is easiest to place the assembly onto the end of the pole upside down and then rotate 180° before tensioning the $1/2''$ Square Head Set Screws (O). Confirm that the *Rim (R)* and *BA495 Fan Steel Backboard (A)* are level. Tighten the $1/2''$ Square Head Set Screws (O) against the gooseneck pole, then tighten the $1/2''$ Jam Nuts (P) to lock the $1/2''$ Square Head Set Screws (O). See Figure 5.

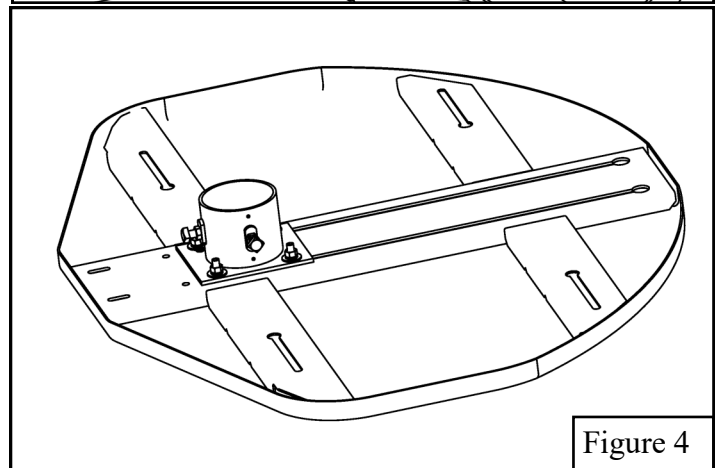


Figure 4

8. Loosen the $7/16''$ Hardware that attaches the Backboard Mounting Adaptor (B, C or D) to the *BA495 Steel Backboard (A)* and slide the *Rim (R)* and *BA495 Steel Backboard (A)* until the top of the *Rim (R)* is at the desired height. Retighten all $7/16''$ Hardware.

9. The Backboard Braces (N) will get attached to the Band Clamps (I, J or K) on one end, and the *BA495 Fan Steel Backboard (A)* on the other end. The tabs on the end of the Backboard Braces (N) will need to be bent to match the angles necessary to mount the Backboard Braces (N) to the *BA495 Fan Steel Backboard (A)* and Band Clamps (I, J or K). This can easily be accomplished in a number of ways including contacting each end on a concrete surface.

10. Attach one end of each Backboard Brace (N) to one of the two Band Clamps (I, J or K) using $5/16''$ Carriage Bolts (L) and $5/16''$ Flange Nuts (M). See Figure 5.

11. Use $7/16'' \times 1\ 1/2''$ Carriage Bolts (E), $7/16''$ Hex Nuts (H), $7/16''$ Flat Washers (F) and $7/16''$ Lock Washers (G) to attach the other end of the Backboard Braces (N) to the BA495 Fan Steel Backboard (A). See Figure 5.
12. When the BA495 Fan Steel Backboard (A) and Rim (R) are level, drill $1/4''$ diameter hole into gooseneck pole using the pilot hole in the Backboard Mounting Adaptor (B, C or D) as guide. Insert $1/4'' \times 1''$ Roll Pin (Q) with a hammer to reduce risk of rotation or movement. See Figure 5.
13. Install net (not shown) and the system is ready for play.

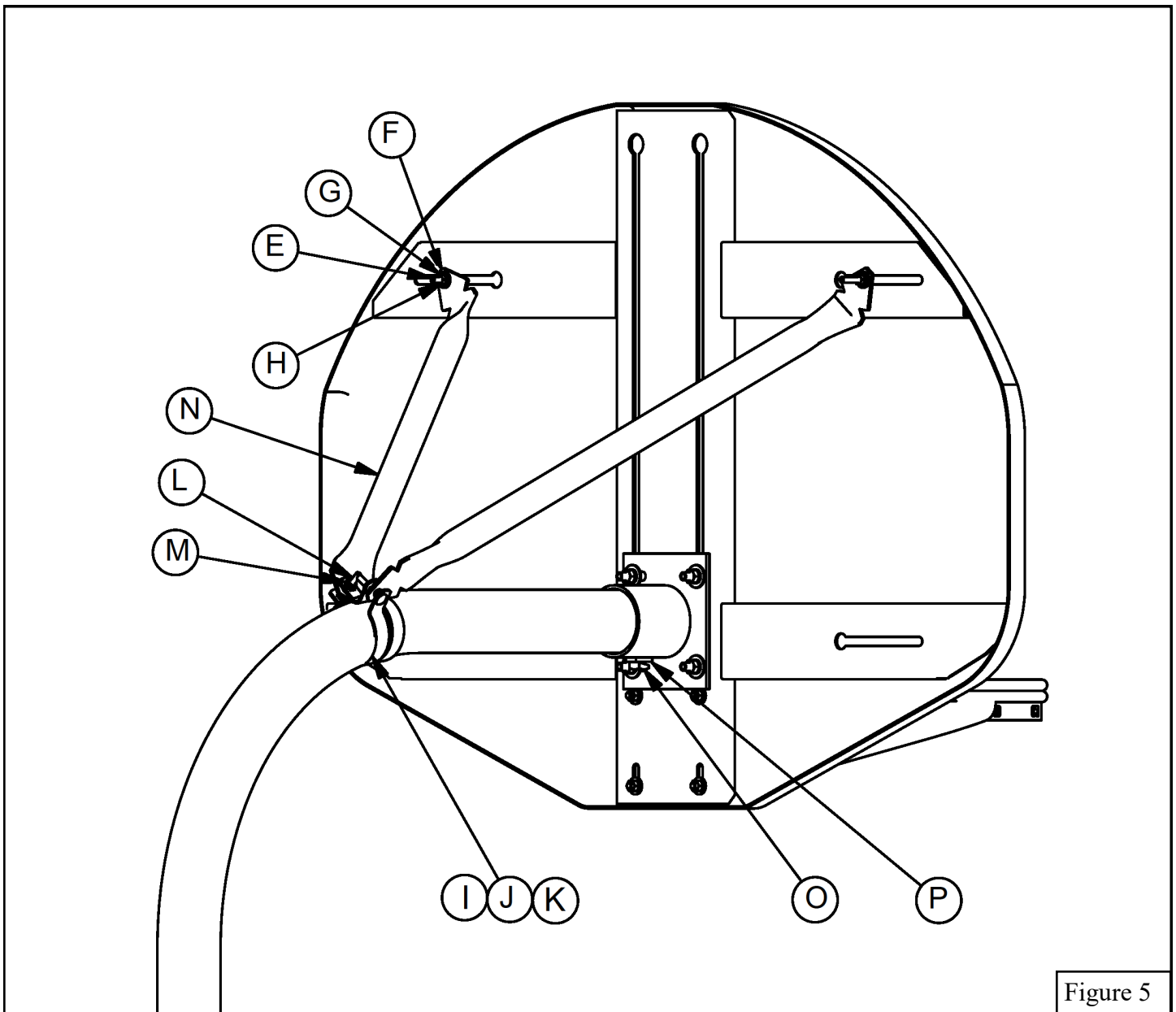


Figure 5