

— Instruction Manual —

BA33U & BA39U



Customer Service
(800) 247-7668

NET INSTALLATION INSTRUCTION FOR NO-FAIL NETLOCK SYSTEMS

- 1) Slip twisted loop (View A) thru no-fail netlock cut-out from the inside of the rim outward (View C).
- 2) Wrap twisted loop around bottom of no-fail netlock band and back through the cut-out a second time.
- 3) Connect loop over the “T” shaped hook (View B).
- 4) Pull net tight to assure that the net appears like the illustration in (View C).
- 5) Failure to attach net in this manner increases the likelihood that the net will not stay attached during play.

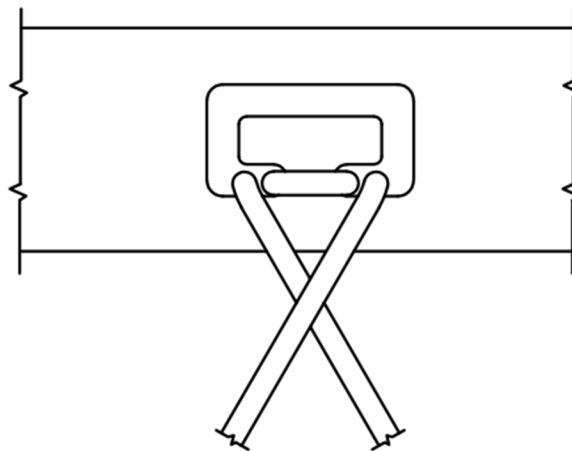
- ◆ Inspect all contents prior to installation. Report any missing parts to dealer immediately.
- ◆ Read all instructions before proceeding.



VIEW A



VIEW B



VIEW C