

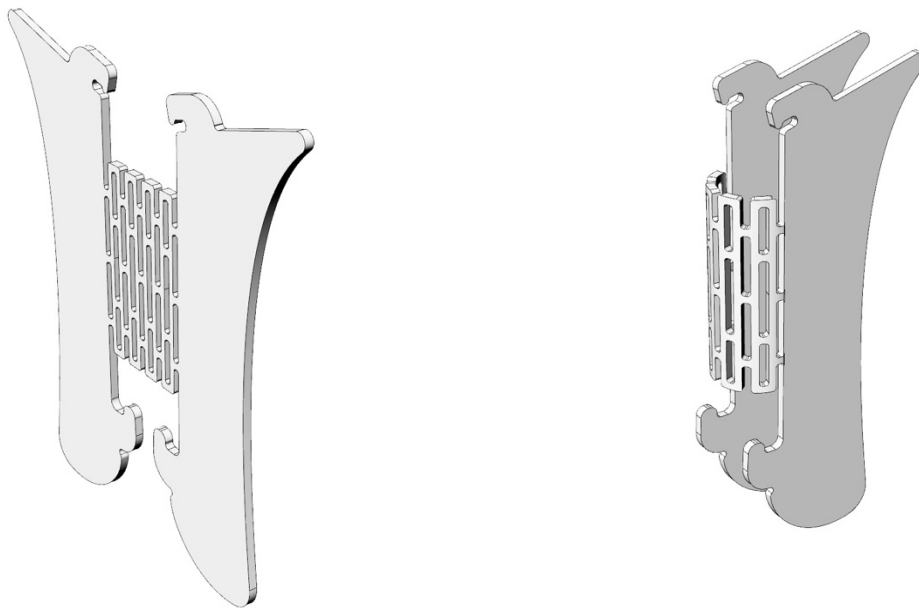
## eoMicro Assembly instructions

Please follow the images below to assemble the eoMicro simulator.

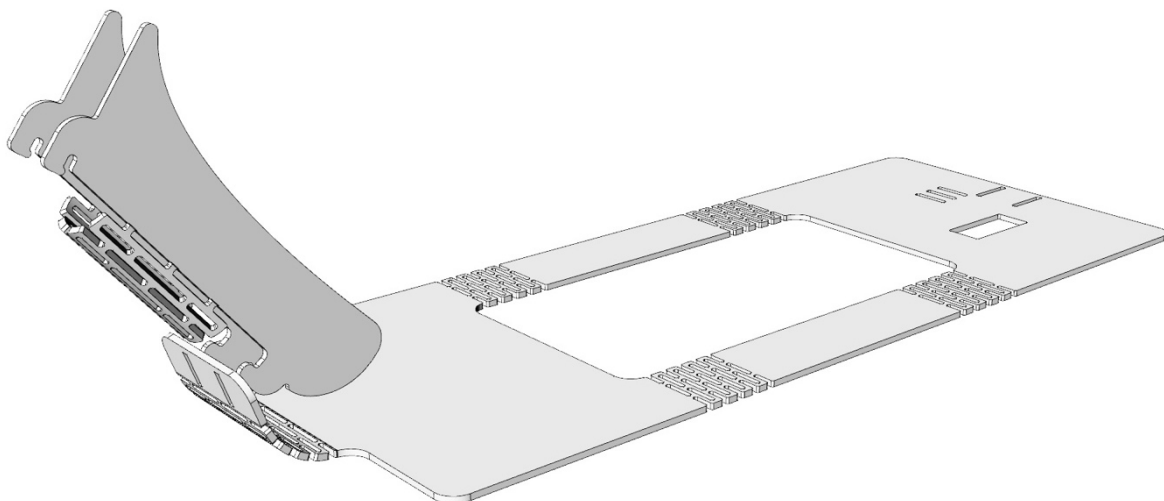
Note that when correctly assembled your phone should be placed on the eoSurgical logo sticker on the top of the frame.

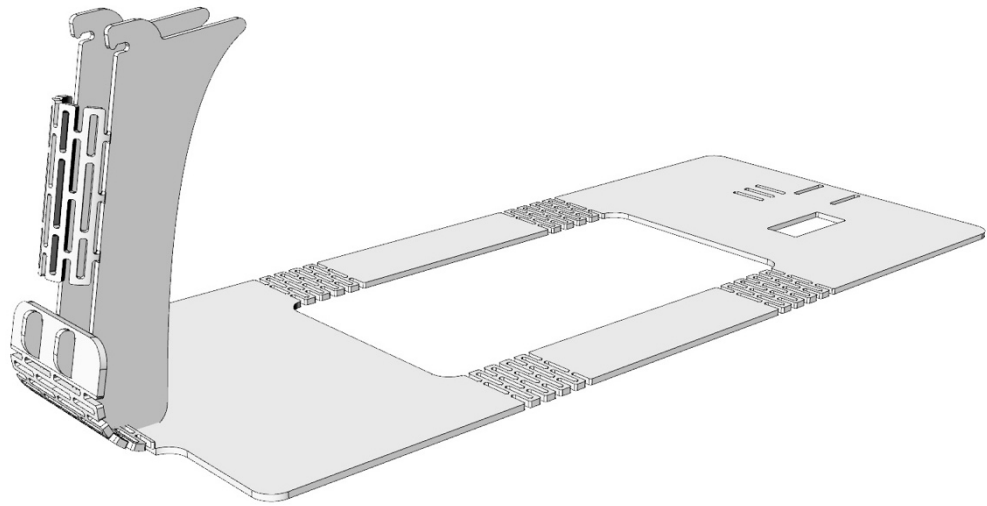
If you have any questions, please contact us at [sales@eosurgical.com](mailto:sales@eosurgical.com).

### Step 1 - bend the support piece in the middle:

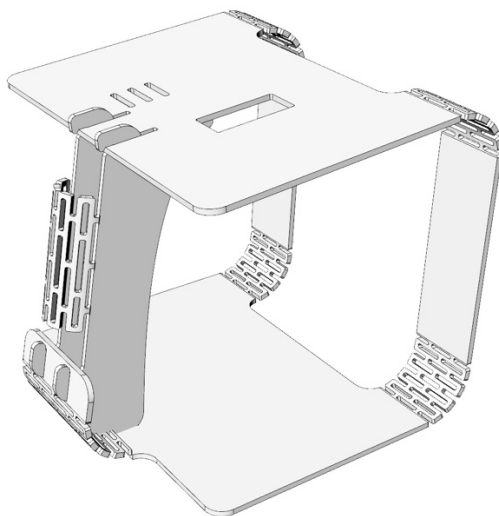
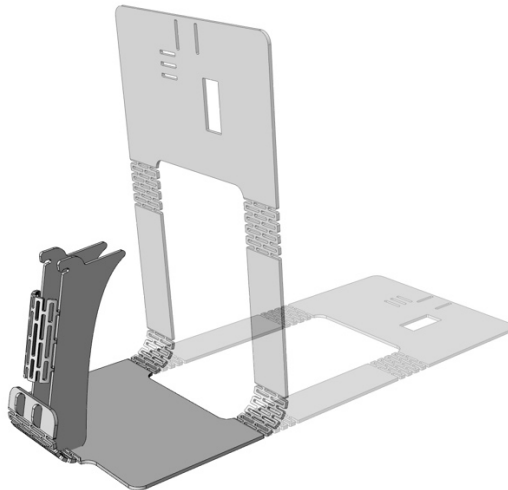


### Step 2 - insert the curved bottom of the support piece into the frame:

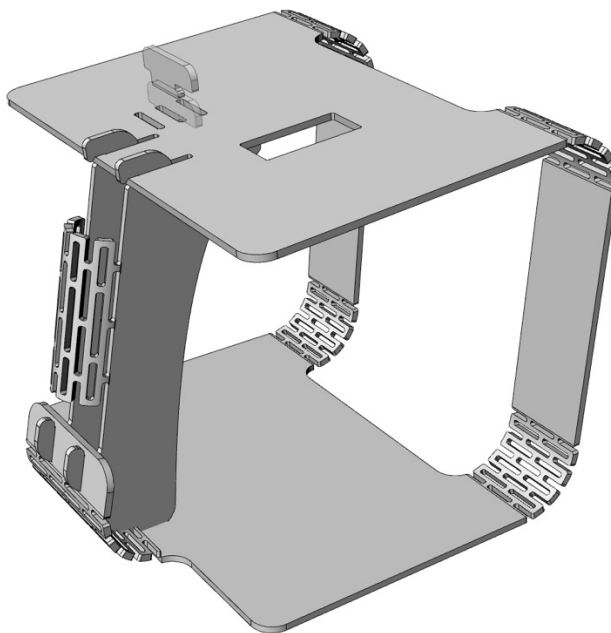




**Step 3 – fold the frame over the top of the support piece, and click into place:**



**Step 4 - insert one of the phone tabs into one of the three slots on the top of the frame:**



**Step 5 – place your phone on the top of the frame, aligning the rear camera with the hole:**

