



BEARDSCAPE

For the Beard and Beyond



Contents

| | |
|-------------------------------------|----|
| Safety Information | 2 |
| Components of your Beardscape | 6 |
| Getting Started | 8 |
| Charging | 8 |
| Best Practices for Li-ion Batteries | 9 |
| Using the Beardscape | 10 |
| Trimming Tips | 10 |
| LCD Screen Function | 12 |
| Caring for your Brio Beardscape | 14 |
| Warranty / Support | 16 |
| Troubleshooting | 17 |

Safety Information

IMPORTANT SAFEGUARDS: READ ALL INSTRUCTIONS BEFORE USING

The Brio Beardscape has been carefully designed to provide the best possible trimming experience. When using electrical products – especially those with blades – basic safety precautions should always be followed.

Reduce the Risk of Electric Shock and Injuries

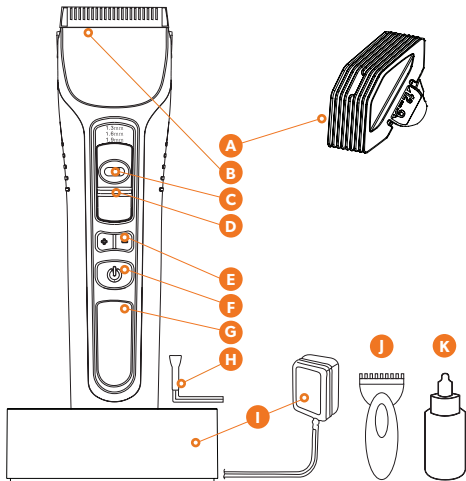
- Always unplug this product after charging is complete.
- Do not use while bathing / showering.
- Do not place the product where it can fall into water.
- Do not place, drop, or otherwise submerge product in water or other liquid.
- If charger falls into water, unplug immediately and discontinue use.
- Never use charger if the cord or plug are damaged.
- Use this product only for its intended use as described in the manual.
- Do not use accessories, chargers, or attachments that are made by other manufacturers.
- Discontinue use if product is damaged in any way.
- Do not allow any portion of this product to be used as a toy.

- Do not pull or carry by cord, use cord as a handle, or pull cord around sharp edges or corners.
- Keep cord away from heated surfaces.
- Do not unplug by pulling on the cord. To unplug, grasp the plug, not the cord.
- Only connect this product to a properly grounded outlet that is GFCI protected.
- Do not plug into an outlet with a voltage other than 120 v.
- Never force the plug into the outlet; Do not attempt use if it does not easily fit into the outlet.

Other Considerations

- This product has the ability to rapidly cut hair and is capable of producing very bad haircuts. Please make sure it is used with care.
- This product is not intended for use by persons with reduced physical, sensory, or mental capabilities or lack of experience or knowledge of this product.
- Children should not be allowed to use the Beardscape
- Do not use attachments other than those sold by the manufacturer.
- Never place any portion of this product in the dishwasher.
- If the product is dropped, inspect and test for proper operation before use.
- Do not use if blade appears to be cracked or damaged in any way.

Components of your Brio Beardscope



- A** Reversible Clipper Heads
- B** Blade Assembly
- C** Lever Lock Button
- D** Micro Adjust Lever
- E** Speed Control
- F** On/Off Button
- G** LCD Display
- H** USB Plug
- I** Charging Base and Cord
- J** Cleaning Brush
- K** Blade Oil

Getting Started

Charging your Beardscape

- Plug the USB style charger into the transformer and plug into the wall.
- The charging plug can either be connected directly to the bottom of the Beardscape or plugged into the charging cradle.
- If you are using the charging cradle, plug it in and set the Beardscape in, bottom first as shown.
- Make sure the charging light on the LCD screen turns on.
- A complete charge may take up to 3 hours.
- The Beardscape will beep and automatically stop charging when the battery is full.
- If the battery is low, the Beardscape can still be used while plugged directly into the wall.

The display will show differing amounts of battery time remaining based on the speed setting of the trimmer. The table below shows how long a fully charged battery will last based on the speed settings.

RPM Compared to Expected Life

| | |
|--------------------|--------------------|
| 5000 RPM – 240 min | 5500 RPM – 225 min |
| 6000 RPM – 210 min | 6500 RPM – 195 min |
| 7000 RPM – 180 min | |

Best Practice for Optimal Battery Life

- Don't let your Beardscape get to hot or too cold.
- Make sure you fully charge the BeardScape before using.
- It is best to cycle the battery - let the battery run down a little before re-charging - it is not necessary to re-charge after each use.
- It is best to charge the battery when the capacity less than 20% or when the display shows less than 36 min.

Using the Brio Beardscope

Trimming Tips

- Before starting, make sure you have selected the proper guard or blade height, if you are not sure, start with a longer cut height and move to shorter heights as desired.
- To use the micro-adjust lever, make sure to press down the center lock button before sliding the lever up or down. The lever controls between cutting heights of 1.0, 1.3, 1.6, and 1.9mm.
- To clip the guards on, grab the guard in one hand and press it onto the clipper aligning the nubs on the side of the guard with the recessed sections on the clipper head. The guard should make a snap sound when it is attached properly. Test the connection before use.

- A precise cut may take multiple passes, so move the clipper slowly and take your time.
- In certain areas (like your neck) it may help to use your free hand to pull your skin tight to get the best trim.
- The Beardscape cuts best when the gold part of the rake is pressed flat against your skin.

LCD Screen Functions

Load State - Burden

The circles at the top of the display show the load on the clipping head. During use the clipper head may become clogged with hair or in need of oil.

The first 3 circles display a load state under normal use. If the 4th and 5th circles (red) light up, clean and oil the clipping head. To clean, sweep away hairs with your included brush and to oil simply put one or two drops of oil on the tips of the cutting surface, run the trimmer for a minute to work in the oil and wipe away any excess with a dry cloth.



RPM - Speed Control

The Beardscape operates at an RPM range of 5,000-7,000 revolutions per minute. Use the (- +) button to change the speed settings. The high torque motor is designed to maintain the speed setting even when cutting thick or course hair.

Available Time

The time display shows the amount of cutting time remaining in the charge. As the speed (RPM) is lowered, cutting time increases.

Oil Prompts

Every 60 minutes of operating time the Beardscape will signal that it is time to oil the blade by flashing the oiling light and making a beep tone. When the oil prompts go off, please clean and oil your trimmer blade.

Oil Blade



Charging Prompts

When only 20 minutes of time remain on the trimmer, the charging icon will flash and the Beardscape will make a beep tone, alerting you to **fully** charge the Beardscape after your use.

Caring for your Brio Beardscape

Do not rinse your Beardscape! If you were paying attention in 6th grade science, you will remember that oil and water don't mix. Your blade likes oil, not water. If you feel there is too much hair or debris on the trimmer, use the included brush to clean it off. **NEVER** run the blade under the water.

You shouldn't need to remove the blade of your Beardscape very often. The internal gears are strong and will not become clogged with hair. If you do need to remove the blade, lower the micro-adjust lever all the way down to the 1.9mm setting. Use two thumbs on the front of the blade and gently press the blade back. It should pop off easily.

Charge



To put the blade back on, make sure the micro adjust lever is in the lowest position (1.9 mm) and put the bottom part in first. While pressing down firmly rock the blade assembly toward the top of the clipper. It should click into place. Check the alignment to make sure it is in properly. This takes a little practice, but don't worry, it gets easier.

If you need a new blade contact Brio at service@brio4life.com to find out how.

Recycling your Beardscape

If your Beardscape is no longer working, contact Brio at service@brio4life.com to get a replacement if it is still under warranty. If you need to dispose of the device, please recycle properly as it does contain a battery. The device can be recycled as you would other batteries. For a drop-off location near you check out www.e-stewards.org for a nearby battery recycling location.

Warranty & Support

The Brio Beardscape is guaranteed to function properly from two years from the date of purchase. Defects due to faulty materials and workmanship will be repaired or replaced at Brio's expense with a qualified receipt.

To contact Brio customer service please call [248-268-6530](tel:248-268-6530) or email service@brio4life.com

For more information on the warranty service process please visit www.brio4life.com/service

Limitation of Remedies

In no event shall Brio or any of its affiliated companies be liable for any special, incidental, or consequential damages based upon breach of warranty, breach of contract, negligence, tort, or any other legal theory. Such damages include, without limitation, loss of savings or revenue, loss of profit, loss of use; the claims of third parties including, without limitation, and cost of any substitute equipment or services. Some states do not allow the exclusion or limitation of incidental or consequential damages.

Troubleshooting

If you are unable to resolve a problem of any kind based on the information within these instructions. Please contact Brio Customer Service at [248-268-6530](tel:248-268-6530) to speak to a representative.



Be a **well** being.