

SANDBOX

USER MANUAL

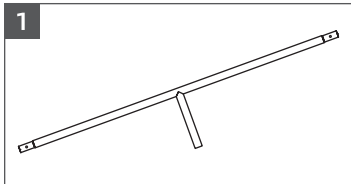


WARNING

IMPORTANT SAFETY NOTICE

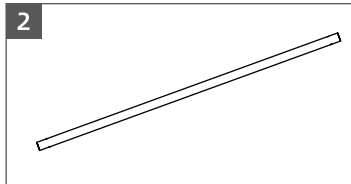
- This product is intended for children ages 3 and up.
- The item should be unpacked and assembled by adults. Improper use may cause your sandbox to topple or fall, creating a risk of injury or damage.
- Keep unassembled parts out of reach of small children as the small parts, sharp points, and sharp edges may result in injury.
- Children should not be permitted to climb or pull on the sandbox.
- Adult supervision and inspection are required at all times.
- Do not set up over concrete, asphalt, or other hard surfaces.
- Set up on a level surface with a clearance of at least two meters from other structures or obstacles such as fences, garages, houses, overhanging branches, washing lines, electric wires, etc.

PARTS LIST



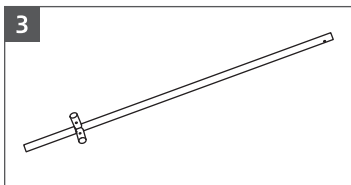
T Shape Rim
Joist Tube

2 PCS



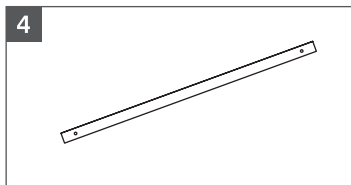
Short Rim
Joist Tube

2 PCS



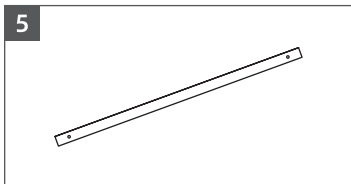
Corner Tube

4 PCS



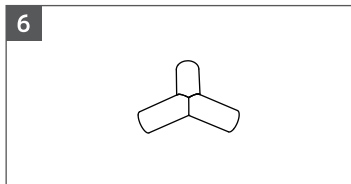
Purlin Tube
+
Ridge Tube

2 PCS + 1 PC



Rafter Tube

4 PCS



4-Way Elbow

6 PCS

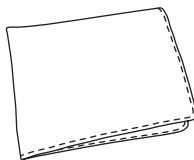
7



End Caps

6 PCS

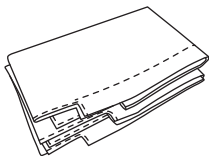
8



Roof Cover

1 PC

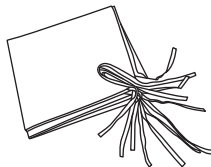
9



Sandbox
Bottom

1 PC

10



Sandbox Tarp

1 PC

11

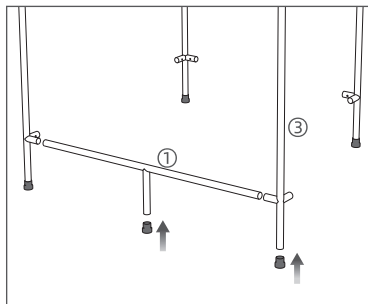


Feet Cap

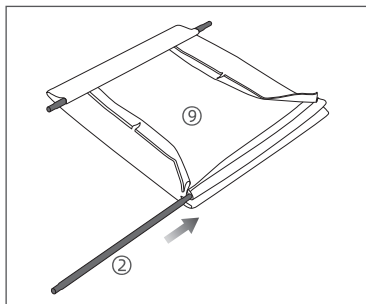
6 PCS

INSTALLATION

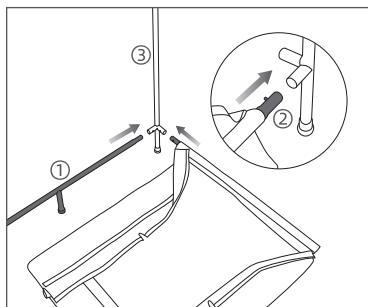
Installing the sandbox and the mainframe.



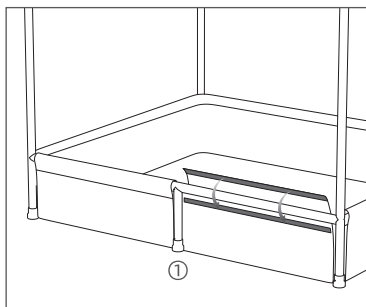
1. Install the feet caps onto the bottom end of the four ③ corner tubes and the ① T-shape rim joist tubes.



2. Thread the two ② short rim joist tubes into the ⑨ sandbox bottom sleeves.

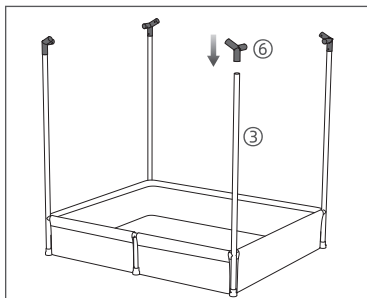


3. Connect the ① T-shape rim joist tubes and the ② short rim joist tubes with the ③ corner tube's right-angle elbow.

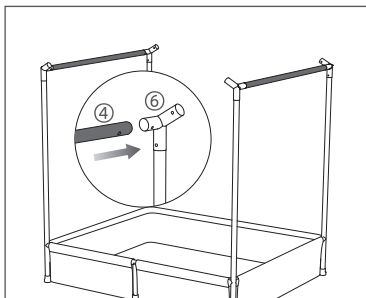


4. Warp the ① T-shape rim joist tubes with the sandbox bottom sleeves.

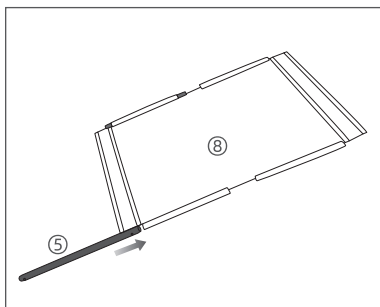
Installing the roof cover.



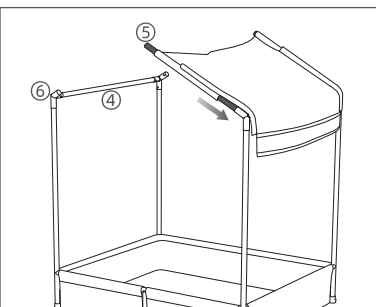
1. Install the ⑥ 4-way elbows onto the top end of all ③ corner tubes.

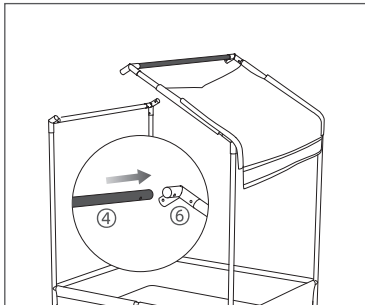


2. Connect the opposite ⑥ 4-way elbows with the ④ purlin tube.

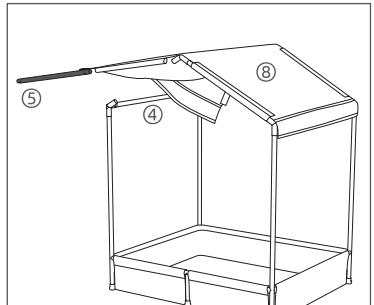


3. Thread the ⑤ rafter tubes through the ⑧ roof cover sleeves, and install the ⑤ rafter tubes onto the ⑥ 4-way elbows. Then wrap the ④ purlin tube with the ⑧ roof cover sleeves.

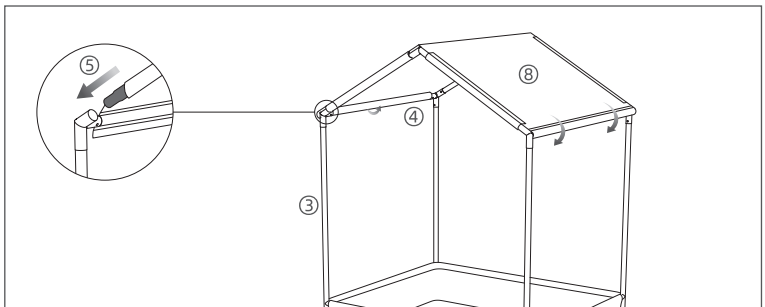




4. Join both ends of the ④ ridge tube with the ⑤ rafter tubes using the ⑥ 4-way elbows.

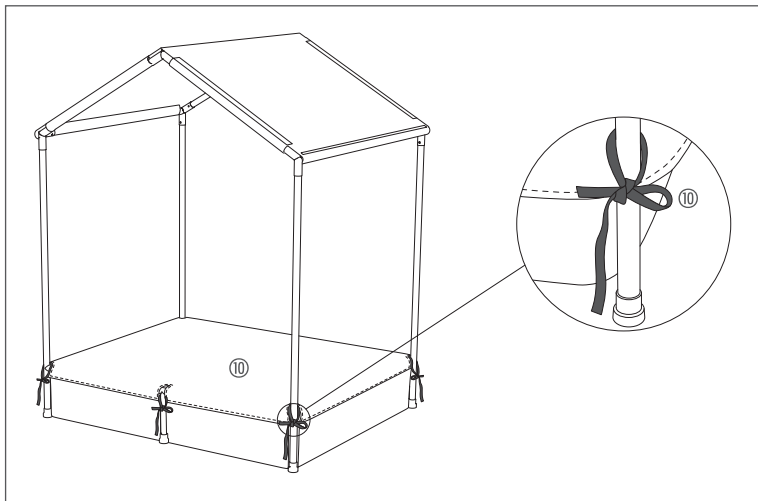


5. Pull the ⑧ roof cover over the ④ ridge tubes, and thread the other two ⑤ rafter tubes through the ⑧ roof cover sleeves.



6. Join the remaining two ⑤ rafter tubes with the ③ corner tubes. Then wrap the ④ purlin tube with the ⑧ roof cover sleeves.

Using the sandbox cover.



1. When the sandbox is not in use, spread out the ⑩ sandbox tarp evenly on the sandbox.
2. Tie the ⑩ sandbox tarp to the tubes using the laces located at the tarp corners and sides.

MAINTENANCE

- Check the joints from time to time in order to ensure that everything is fixed firmly and nothing is loose.
- To prolong the life of your outdoor item, please store it out of direct sunlight or exposure to extreme weather.