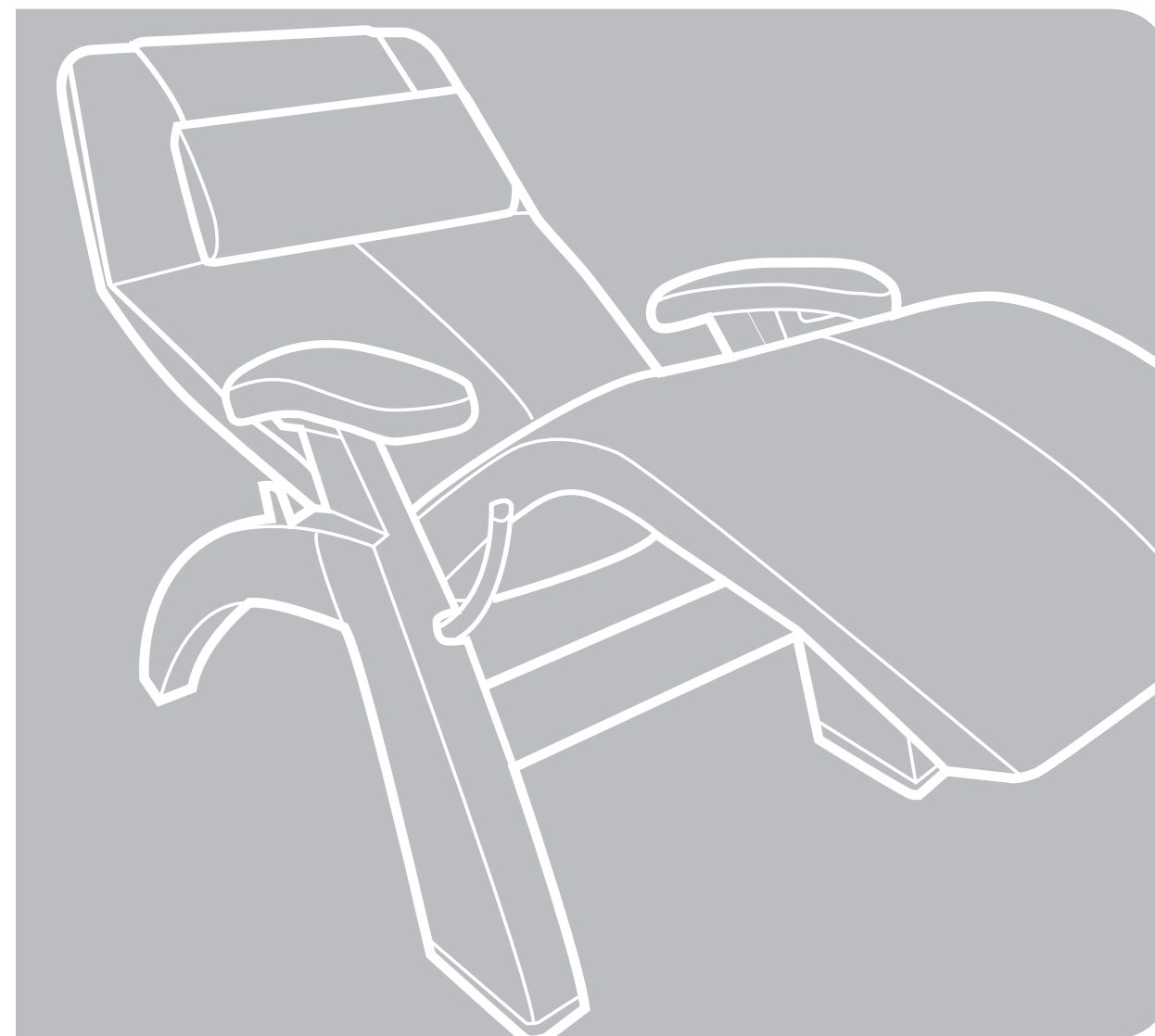


PC 510

Classic Power

SERIES 2



human touch®

humantouch.com

800.355.2762

©2012 Human Touch®, LLC. Patents pending and intellectual property rights enforced.
No medical claims are warranted or implied by the use of this product.
Human Touch is a trademark of Human Touch®, LLC.
PC-510-NA-B0

 human touch®
perfect chair®

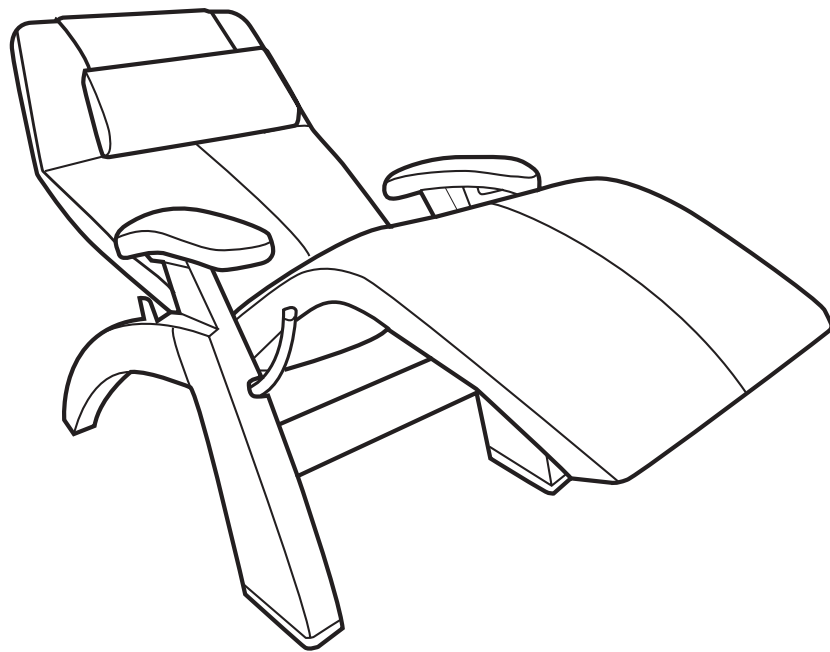
use & care manual

Register your product **ONLINE** today

www.humantouch.com/register

Register your product **ONLINE** today

www.humantouch.com/register



PC 510

Classic Power

SERIES 2

welcome to **human touch**[®]

You have just purchased one of the finest pieces of ergonomic furniture available. The Human Touch[®] Perfect Chair[®] artfully blends the best of aesthetics, technology and wellness in a seating experience that transcends the highest standards of comfort.

The electric recline system eases the body into a virtually weightless position, as it elevates the legs above the heart and relieves weight from the spine. This remarkable chair relieves the soreness, tension and fatigue caused by the earth's constant pulling, while its fixed-form seating position ensures maximum ergonomic posture at all recline angles.

To ensure that you don't overlook any of your chair's features, and that you use it safely, read this manual carefully. Then sit back, relax, and enjoy!

humantouch.com

keep it safe

IMPORTANT SAFETY INSTRUCTIONS

When using an electrical appliance, basic precautions should always be followed, including the following:

Read all instructions before using this appliance.



DANGER: To reduce the risk of electrical shock

Always unplug this product from the electrical outlet immediately after using and before cleaning.



WARNING: To reduce the risk of burns, fire, electric shock or injury to persons:

- Do not put hands or fingers near the footrest mechanism on the underside of the chair while this product is running. Touching the mechanism can result in injury.
- If the supply cord is damaged, it must be replaced by the manufacturer or its service agent or a similarly qualified person in order to avoid a hazard.
- An appliance should never be left unattended when plugged in. Unplug from outlet when not in use, and before putting on or taking off parts.
- Close supervision is necessary when this product is used by, on, or near children, invalids, or disabled persons. Keep children away from extended foot support (or other similar parts).
- Use this product only for its intended use as described in this manual. Do not use attachments not recommended by the manufacturer.
- Never operate this product if it has a damaged cord or plug, if it is not working properly, if it has been dropped or damaged, or dropped into water. Return this product to a service center for examination and repair.
- Do not carry this appliance by supply cord or use cord as a handle.
- Always keep the power cord away from heated surfaces.
- Never operate this product with the air openings blocked. Keep the air openings free of lint, hair, and the like.
- Never drop or insert any object into any opening.
- Do not use outdoors.
- Do not operate where aerosol (spray) products are being used or where oxygen is being administered.
- Do not use this product when standing on a damp floor, or when any part of the body is in contact with plumbing or any similar ground.
- Do not use this product if noise above normal sound is heard.
- Do not stand on or in appliance. Use only while seated.
- This appliance is not intended for use by persons (including children) with reduced physical, sensory or mental capabilities, or lack of experience and knowledge, unless they have been given supervision or instruction concerning use of the appliance by a person responsible for their safety. Children should be supervised to ensure that they do not play with the appliance.

Safety Precautions

- Comfortable clothing is recommended while using this product.
- If you feel any abnormal discomfort during the operation of this product, turn off the power immediately and do not use the product. Consult your physician.
- Do not pull on the AC cord.
- When using this product after it has been in storage, check to see that the product is operating properly prior to use.
- Always confirm that there are no obstacles behind the product and that there is sufficient space to recline.

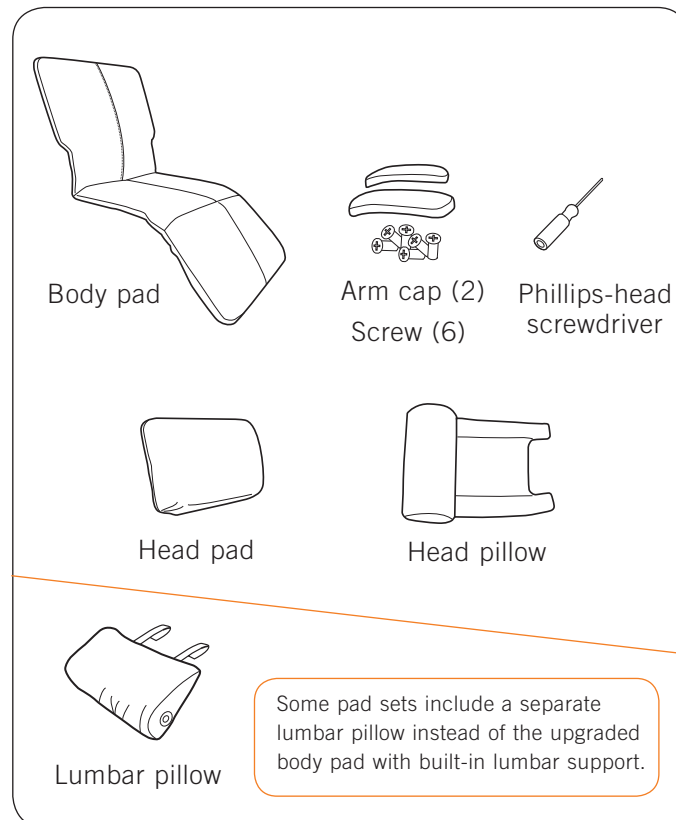
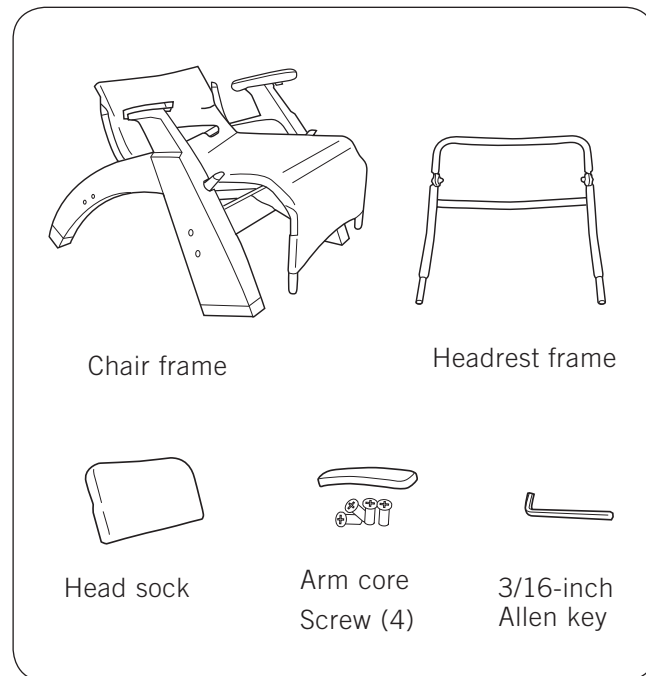
SAVE THESE INSTRUCTIONS

Do not attempt to repair this product yourself.

- This product is designed for personal in-home use. Commercial use will void warranty.
- To reduce the risk of electric shock, this appliance has a polarized plug (one blade is wide than the other). This plug will fit in a polarized outlet only one way. If the plug does not fit fully in the outlet, reverse the plug. If it still does not fit, contact a qualified electrician to install the proper outlet. Do not change the plug in any way.

get ready

UNPACK THE BOXES

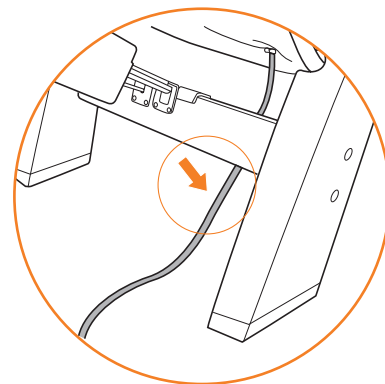


ATTACH THE BACKREST FRAME

1. Raise the chair to an upright position.

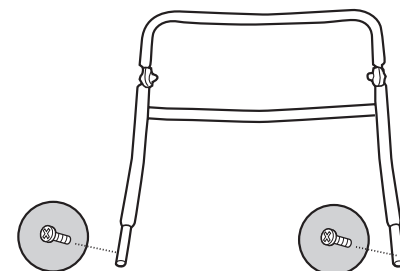
For your convenience, and to better position the chair for the remaining assembly, plug in the chair, then use the electric recline lever to adjust the chair to an upright position.

CAUTION: Plug the chair into an appropriate power source. Be sure that the power cord lies beneath the mechanics located underneath the chair.



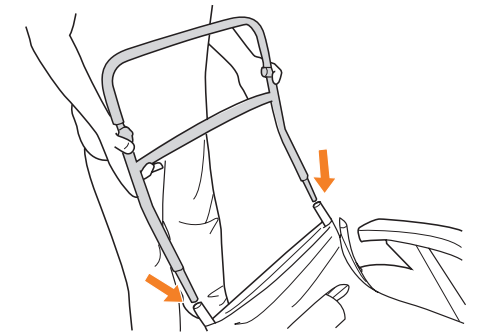
2. Remove the backrest frame screws.

Using the Phillips-head screwdriver (provided), remove the two screws from the headrest frame. Retain them for use in step 4.



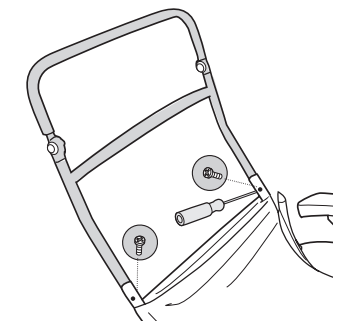
3. Insert the backrest frame into the chair base.

With the backrest frame positioned so that the headrest can tilt forward, slide the two ends of the backrest frame into the open tube ends of the chair base.



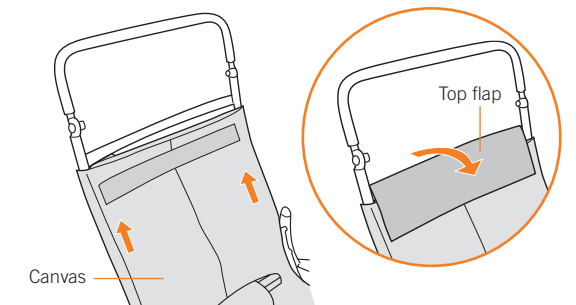
4. Replace the backrest frame screws.

Using a Phillips-head screwdriver, replace the two headrest frame screws, securing the headrest frame to the backrest frame.



5. Install the canvas backrest support.

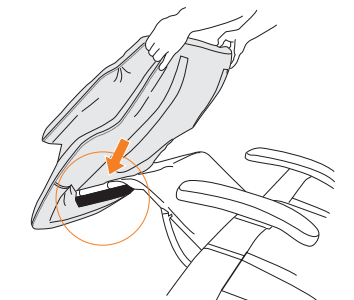
Pull the chair canvas firmly upward as far as it will go, wrap the top flap around the backrest frame and secure it using the hook and loop fasteners. It is important that the canvas be stretched tight to provide proper back support.



ATTACH THE BODY PAD

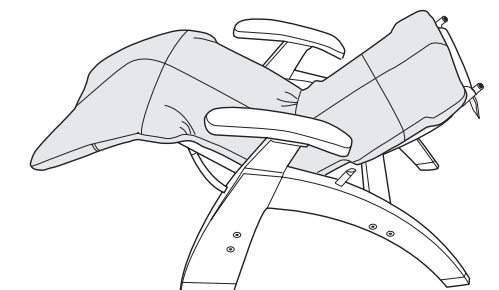
1. Slide the body pad onto the chair frame.

Slide the body pad onto the lower part of the chair frame, making sure that the frame slides into the fabric pocket located on the bottom side of the pad.



2. Secure the body pad.

Smooth the body pad into place, from the footrest toward the backrest. The pad is automatically secured using the hook and loop fasteners.



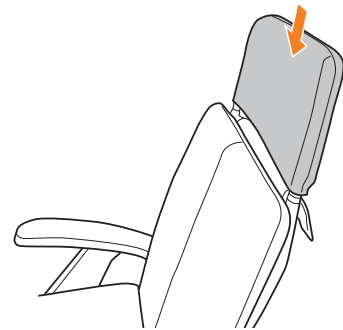
Your Human Touch® Perfect Chair® requires some simple assembly. Just attach the backrest frame, pads, arm caps, and head pillow, and you're done!

get ready

ATTACH THE HEAD PAD

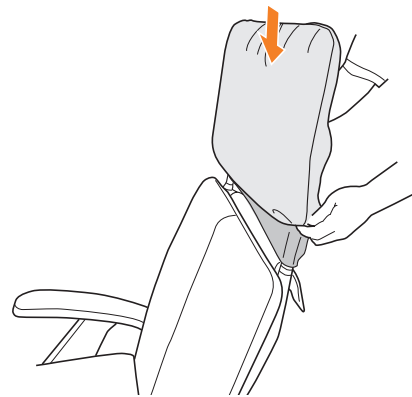
1. Slide the head sock over the headrest frame.

Slide the head sock over the headrest frame, as far as it will go. The padded side of the head sock should face the back of the chair.



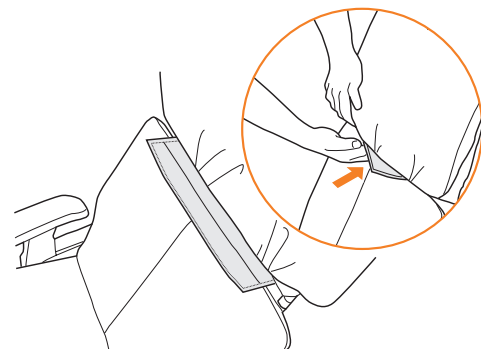
2. Slide the head pad over the headrest frame.

Slide the head pad over the headrest frame, ensuring that the frame slides into the fabric pocket located on the bottom side of the pad. Pull the head pad down as far as it will go.



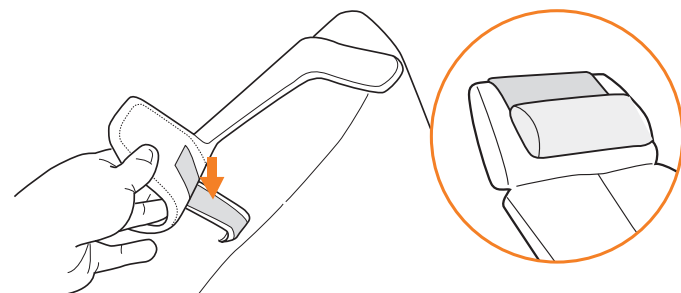
3. Tuck in the body pad flap.

From the front of the chair, tuck the flap on the top of the body pad up into the head pad and smooth it flat. The flap is automatically secured to the pad, using the hook and loop fasteners.



4. Attach the head pillow.

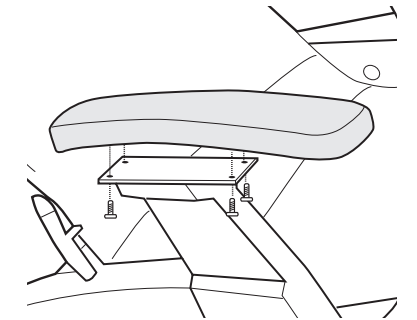
Attach the head pillow straps to the head pad straps using the hook and loop fasteners. Adjust the head pillow height for maximum comfort.



ATTACH THE ARM CORE AND CAPS

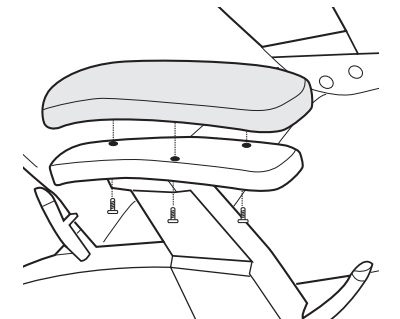
1. Attach the right-hand arm core.

Remove the four screws taped to the top of the right-hand arm, then place the arm core on top of the mounting plate. Secure the arm core using the four screws and the Allen key (provided).



2. Attach the arm caps.

Remove the three screws taped to the underside of the right-hand arm cap, then place the right-hand arm cap on top of the armrest. From the underside of the armrest, secure the arm cap using the three screws. Repeat these steps to attach the left-hand arm cap.



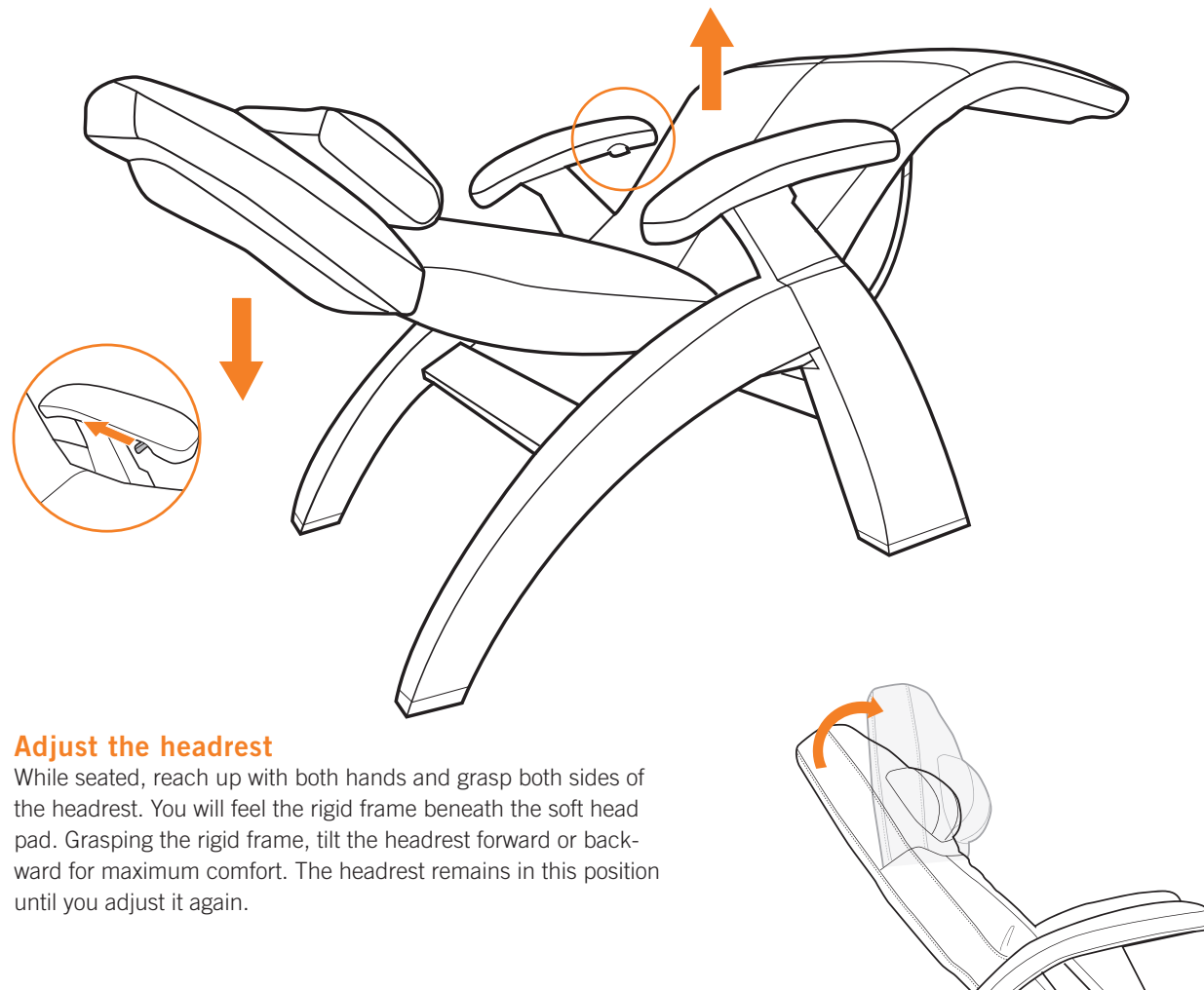
take a seat

Using your Human Touch Perfect Chair is easy. Just take a seat and adjust the chair to the desired position. The Perfect Chair cradles you in zero-gravity comfort, with your feet above your heart—the ultimate neutral-posture position for stress relief.

Adjust the recline angle

Before adjusting the recline angle, be sure there is nothing located directly behind or beneath the chair. Gently pull the electric recline lever toward you to recline, or push away from you to incline. Release the lever when you reach the desired angle. The chair automatically stops when you reach the maximum recline or the full upright position. In the full upright position, the legrest automatically folds inward for easy entrance and exit from the chair.

NOTE: Lean back against the backrest before reclining the chair. Do not put any extra pressure on the footrest while reclining, as this may prevent the footrest from properly deploying and locking.



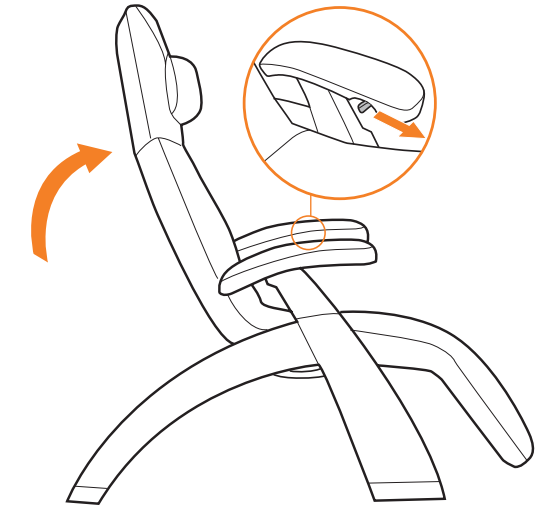
Adjust the headrest

While seated, reach up with both hands and grasp both sides of the headrest. You will feel the rigid frame beneath the soft head pad. Grasping the rigid frame, tilt the headrest forward or backward for maximum comfort. The headrest remains in this position until you adjust it again.

⦿ When adjusting the footrest up and down, you may notice a slight bumping sensation. This is caused by the footrest locking mechanism, and is perfectly normal.

Getting out of the perfect chair

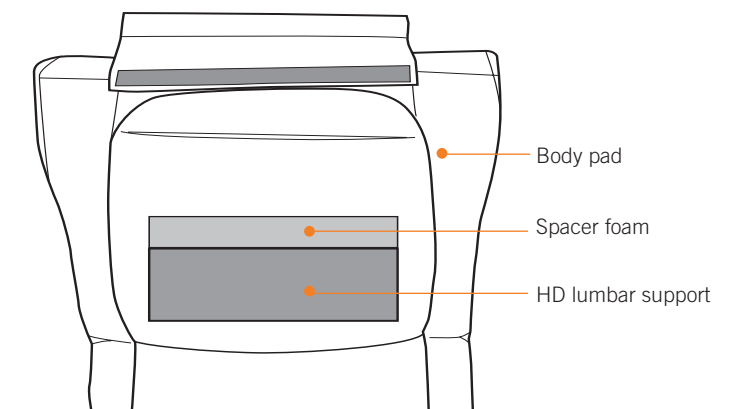
While seated, push gently forward on the electric recline lever until the backrest automatically stops in a full upright position and the footrest automatically stops in a vertical position (the backrest stops before the footrest). Use the arms for support when getting up from the chair.



Adjusting the Lumbar Support

Your Perfect Chair comes with vertically adjustable built-in foam lumbar support. To adjust the lumbar support from the default lower position:

1. Detach the top of the body pad from the chair, then fold it forward onto the chair seat. Or, remove the entire body pad and place it flat, face down, on the floor.
2. Open the zipper on the upper back of the body pad to expose the foam. The blue High Density (HD) Lumbar Support is installed in the lower position.
3. Remove the narrow spacer foam and move the HD Lumbar Support to the upper position.
4. Replace the narrow spacer foam below the HD Lumbar Support.
5. Close the body pad zipper.
6. Reattach the body pad to the chair.



care and maintenance

To keep your product working and looking its best, please follow these simple care guidelines.

WARNING:

1. Be sure to disconnect the power cord from the electrical outlet before cleaning.
2. When cleaning the controller or power switch, use a dry cloth only. Never use a damp cloth to clean the controller or power switch.
3. Be sure to test any cleaning solution on a small, inconspicuous part of the product to ensure that the color does not fade prior to using the solution on the entire product surface.
4. Do not use benzene, thinner or any other solvents on your product.

Cleaning Code Standard: W

To maintain your Human Touch product in optimum condition, dust it frequently and/or vacuum it with a soft brush vacuum extension. SofSuede® products can also be brushed with a suede brush.

If your product becomes dirty, use a water-based upholstery cleaner only. To treat stains, spot clean with an upholstery shampoo or a mild detergent foam.

Maintenance and Repair:

1. The mechanics of this product are specially designed and constructed to be maintenance free. No periodic lubrication or servicing is required.
2. Your chair should only be serviced by an authorized service center.

Use and Storage Environment:

1. When not in use for a long period of time, we recommend that the chair be covered, the power cord be coiled and that the unit be placed in an environment free of dust and moisture.
2. Do not store near heat or open flame.
3. Do not leave this product exposed to direct sunlight for long periods of time. This may cause fading or damage.
4. Do not use or store in extreme temperatures; product stored in cold temperatures may require 48 hours at room temperature to function properly.
5. Product should be used and stored in an environment with non-condensing humidity ranging from 10 to 80%; excessive humidity will damage the mechanics.

Miscellaneous:

1. Foreign objects should not be inserted between the massage nodes or the unit housing.
2. Care should be taken not to overload the unit.

Specifications*

Operating Voltage:	AC110-120V 60 Hz
Power Consumption:	150 Watts
Chair Size (reclined):	62" L x 31" W x 30" H
Product Weight:	80 Lbs.
Required Recline Clearance:	12"
Maximum Load Weight:	285 Lbs.

**Specifications are subject to change without prior notice.*

