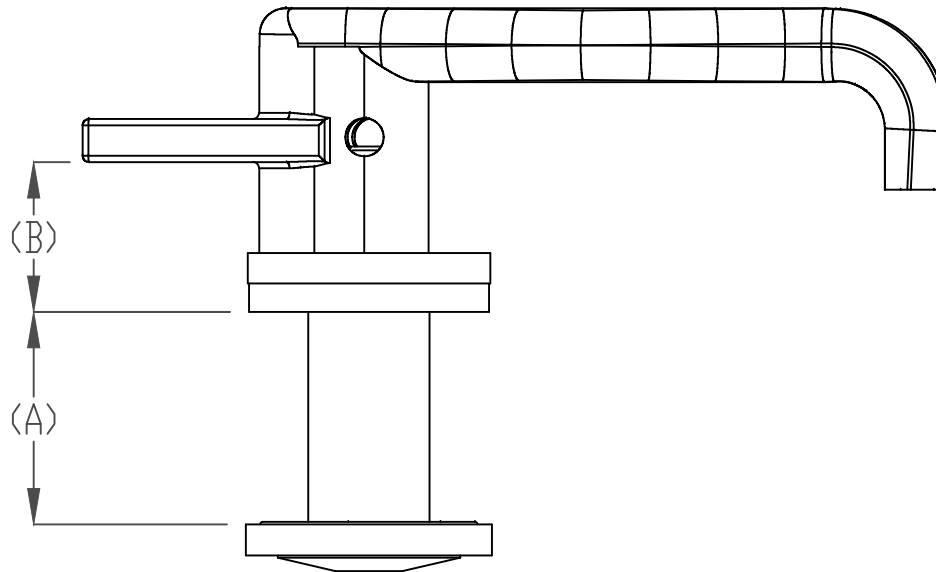


PRODUCT APPLICATION	FUNCTION	MATERIAL	DIM A (MM)	DIM B (MM)	DIM A (INCHES)	DIM B (INCHES)	PART NUMBER	DESCRIPTION
150 Series	Panel To Frame	Nylon	37	20	1 7/16	13/16	103667	THRU DOG NYL BLK A37-B20 KIT
250-Dutch	Old Dutch Break	Nylon	41	18	1 5/8	11/16	103668	THRU DOG NYL BLK A41-B18 KIT
250-Dutch	Old Dutch Break	Stainless Steel	41	18	1 5/8	11/16	108635	THRU DOG 316 POL A41-B18 KIT
250 Series	Panel To Frame	Nylon	41	32	1 5/8	1 1/4	108463	THRU DOG NYL BLK A41-B32 KIT
250 Series	Panel to Frame	Stainless Steel	41	32	1 5/8	1 1/4	103291	THRU DOG 316 POL A41-B32 KIT
200 Series	Panel to Frame	Nylon	43	19	1 11/16	3/4	103465	THRU DOG NYL BLK A43-B19 BRASS SHAFT KIT
200 Series	Panel to Frame	Stainless Steel	43	19	1 11/16	3/4	108640	THRU DOG 316 POL A43-B19 BRASS SHAFT KIT



REVISIONS

REV.	DESCRIPTION	BY	DATE

GENERAL NOTES

- REMOVE ALL BURRS AND BREAK SHARP EDGES AND CORNERS .75mm (.03in) MAX.

UNLESS OTHERWISE SPECIFIED, DIMENSIONS ARE IN MILLIMETERS. TOLERANCES FOR ROUGH AND CLEAR OPENINGS ARE ±.3mm (.0125"). ALL OTHERS ARE:

	X	X	.XX	ANGLES
METRIC	±.25	±.3	±.25	±.2°
IMPERIAL	.X	.XX	.XXX	±.2°
DWG CODE				CHG CODE



Copyright © 2018 AdvanTec. All rights reserved. This drawing is the property of AdvanTec. It is to be used only for the specific application for which it was created. It is not to be reproduced, stored in a retrieval system, or transmitted in any form or by any means, electronic, mechanical, or otherwise, without the prior written permission of AdvanTec. All dimensions and notes are in millimeters unless otherwise specified.

DWG TITLE

THRU SHAFT BLIND DOGS

SCALE	DRAWN	DATE	CHECKED	DATE	SHEET	REV
1:1	DS	2018-01-26			1	0
DWG NO					1	0