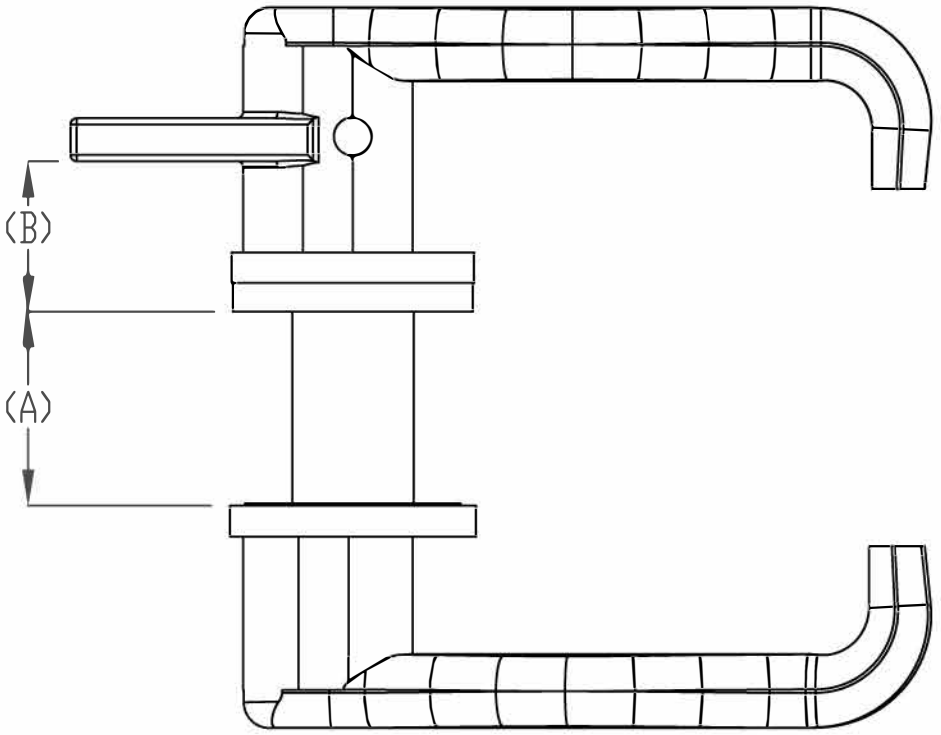


PRODUCT APPLICATION	FUNCTION	MATERIAL	DIM A (MM)	DIM B (MM)	DIM A (INCHES)	DIM B (INCHES)	PART NUMBER	DESCRIPTION
150 Series	Panel to Frame	Nylon	37	20	1 7/16	13/16	103506	DOG NYL BLK A37-B20 KIT
250 French	French Break	Nylon	41	18	1 5/8	11/16	103668	DOG NYL BLK A41-B18 KIT
250 French	French Break	Stainless Steel	41	18	1 5/8	11/16	107208	DOG 316 POL A41-B18 KIT
250 Series	Panel to Frame	Nylon	41	32	1 5/8	1 1/4	103508	DOG NYL BLK A41-B32 KIT
250 Series	Panel to Frame	Stainless Steel	41	32	1 5/8	1 1/4	108518	DOG 316 POL A41-B32 KIT
200 Series	Panel to Frame	Nylon	43	19	1 11/16	3/4	103507	DOG NYL BLK A43-B19 KIT
200 Series	Panel to Frame (Locking)	Nylon	43	19	1 11/16	3/4	108638	DOG NYL BLK A43-B19 LCK KIT
200 Series	Panel to Frame	Stainless Steel	43	19	1 11/16	3/4	108637	DOG 316 POL A43-B19 KIT
200 Series	Panel to Frame (Locking)	Stainless Steel	43	19	1 11/16	3/4	108639	DOG 316 POL A43-B19 LCK KIT
575 French	French Break	Nylon	48	11	1 7/8	7/16	108623	DOG NYL BLK A48-B11 KIT
575-French	French Break	Stainless Steel	48	11	1 7/8	7/16	108548	DOG 316 POL A48-B11 KIT
575 Series	Panel to Frame	Nylon	48	32	1 7/8	1 1/4	108517	DOG NYL BLK A48-B32 KIT
575 Series	Panel to Frame	Stainless Steel	48	32	1 7/8	1 1/4	108519	DOG 316 POL A48-B32 KIT



REVISIONS

REV.	DESCRIPTION	BY	DATE

GENERAL NOTES
 1. REMOVE ALL BURRS AND BREAK SHARP EDGES AND CORNERS .75mm (.03in) MAX.

UNLESS OTHERWISE SPECIFIED, DIMENSIONS ARE IN MILLIMETERS. TOLERANCES FOR ROUGH AND CLEAR OPENINGS ARE ±.3mm (.012"). ALL OTHERS ARE:

	X	X	XX	ANGLES
METRIC	±.25	±.8	±.25	±.2°
IMPERIAL	.01	.03	.01	±.2°

DR: CME
 ONE ONE



STANDARD DOGS

REV.	ISS.	DATE	DESIGNER	DATE	CHK.
1	BS	2009-01-26			B

REV: 1
 OF: 1
 0