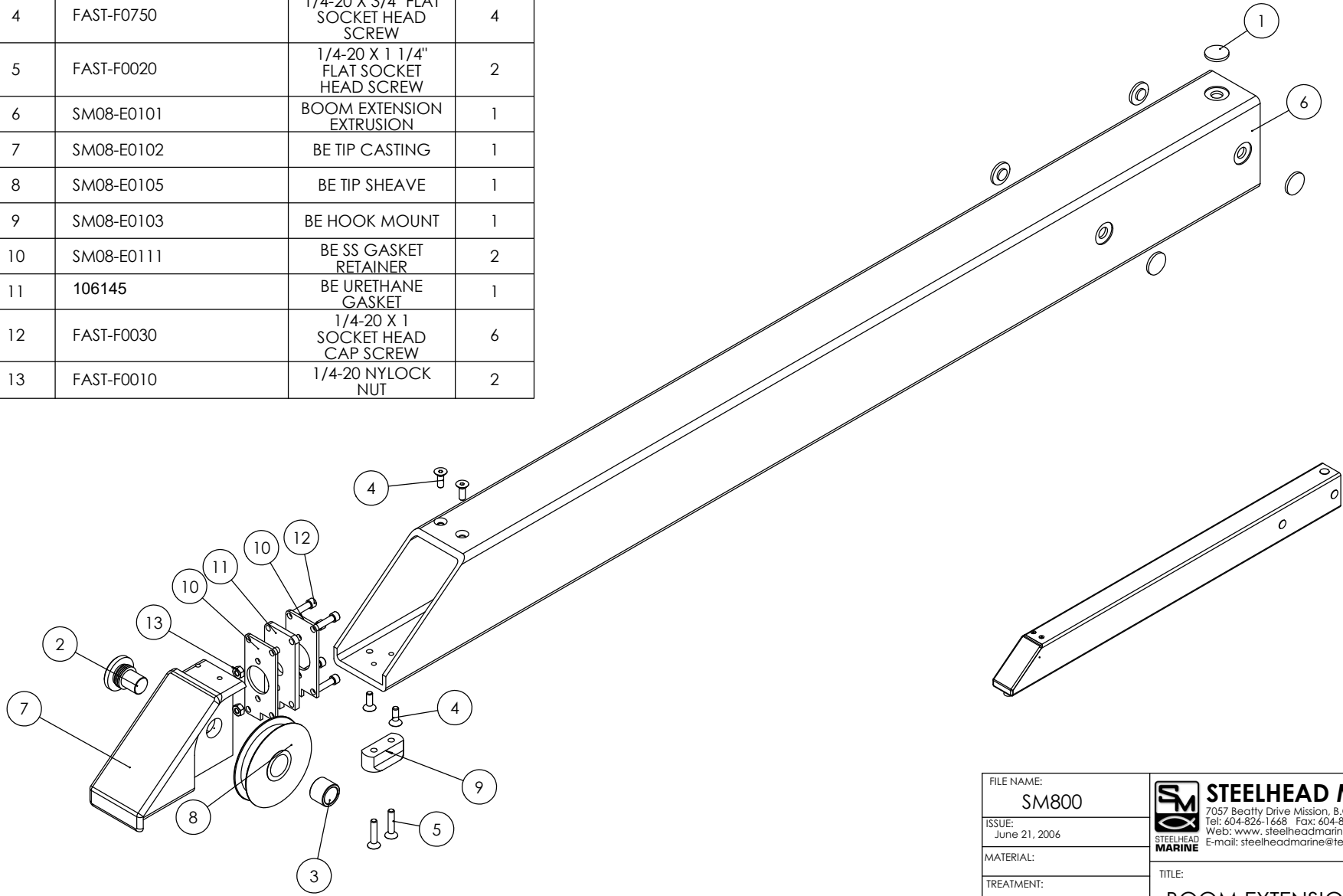


ITEM NO.	PART NUMBER	DESCRIPTION	QTY.
1	SM08-E0108	EXTENSION WEAR PLUG	5
2	SM08-E0104	BOOM TIP SHEAVE PIN	1
3	SM08-E0106	BOOM TIP SHEAVE BUSHING	1
4	FAST-F0750	1/4-20 X 3/4" FLAT SOCKET HEAD SCREW	4
5	FAST-F0020	1/4-20 X 1 1/4" FLAT SOCKET HEAD SCREW	2
6	SM08-E0101	BOOM EXTENSION EXTRUSION	1
7	SM08-E0102	BE TIP CASTING	1
8	SM08-E0105	BE TIP SHEAVE	1
9	SM08-E0103	BE HOOK MOUNT	1
10	SM08-E0111	BE SS GASKET RETAINER	2
11	106145	BE URETHANE GASKET	1
12	FAST-F0030	1/4-20 X 1 SOCKET HEAD CAP SCREW	6
13	FAST-F0010	1/4-20 NYLOCK NUT	2

		REVISIONS			
ZONE	REV.	DESCRIPTION	DATE	APPROVED	



FILE NAME:	SM800
ISSUE:	June 21, 2006
MATERIAL:	
TREATMENT:	
SUPPLIER:	

 STEELHEAD MARINE LTD. 7057 Beatty Drive Mission, B.C. Canada Tel: 604-826-1668 Fax: 604-826-9992 Web: www.steelheadmarine.net E-mail: steelheadmarine@telus.net	TITLE:
	BOOM EXTENSION ASSEMBLY

DRAWN BY	D.GAILEY	DATE:	June 21, 2006	QTY. PER CRANE	1	PART. NO.	SM08-E0100	QTY.	1
APPR. BY		SCALE:	1:6	DO NOT SCALE THE DRAWING ALL RIGHTS RESERVED					