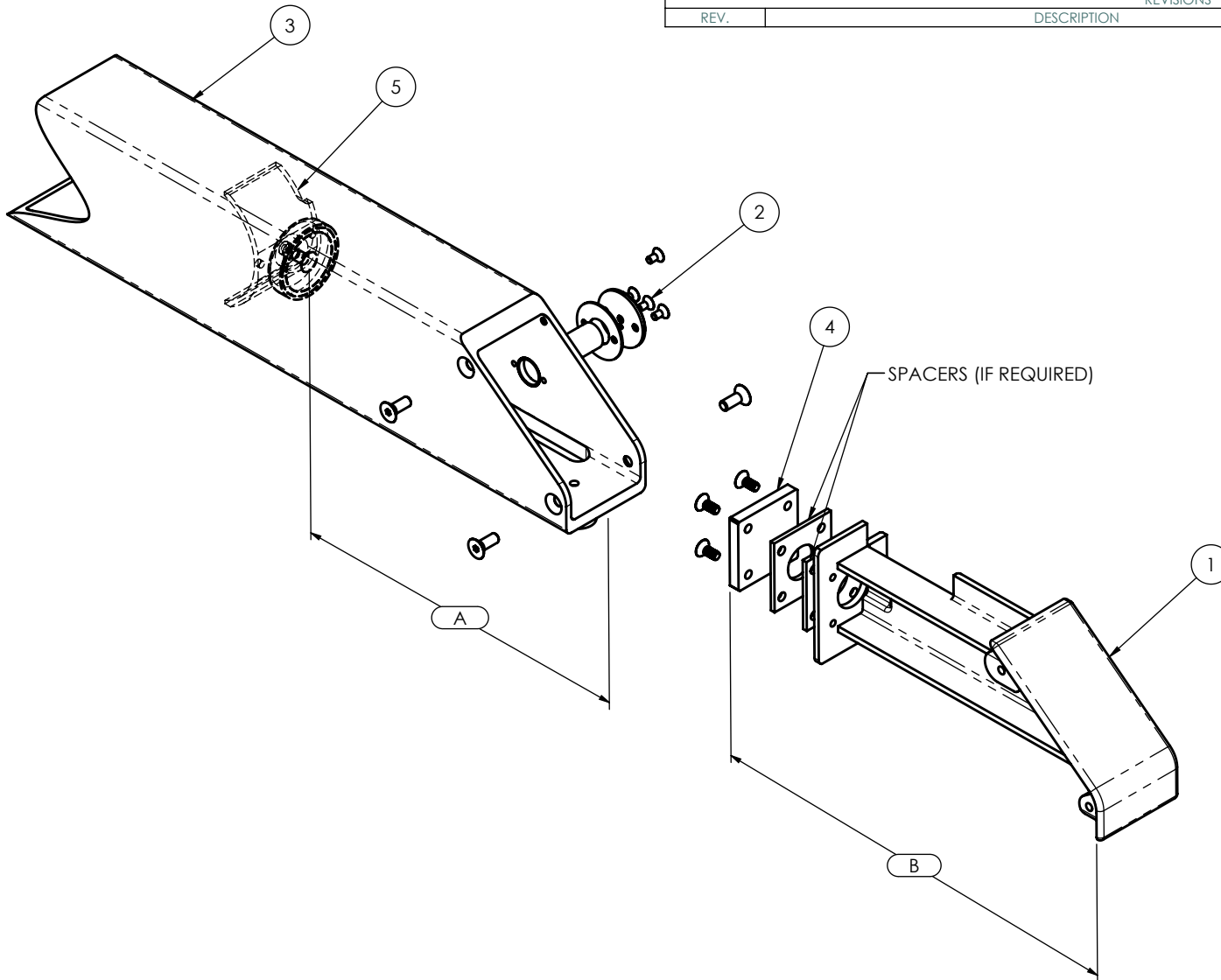



REV.		DESCRIPTION	REVISIONS	DATE	APPROVED



QTY. PER CRANE	DRAWN	NAME	DATE	 <b>STEELHEAD MARINE LTD.</b> 7057 Beatty Drive Mission, B.C. Canada Tel: 604-826-1668 Fax: 604-826-9992 Web: www.steelheadmarine.net E-mail: steelheadmarine@telus.net
WEIGHT: 35.9290LBS	APPROVED	G.R.	09/03/2008	
DESIGNED	K. CROSBY	09/03/2008		
MATERIAL: ALUMINUM		CRANE MODEL: SM1500		TITLE: SM1500 9FT
TREATMENT:	UNITS (UNLESS NOTED): FRACTIONS: INCHES ±1/32" X.XX: INCHES ±0.015" X.XXX: INCHES ±0.005 ANGLES: DEGREES ±1°		PART NO. SM1500-SP	REV
FINISH: PAINT/POWDER COAT	DO NOT SCALE DRAWING ALL RIGHTS RESERVED		THIRD ANGLE PROJECTION	SCALE: 1:6 SHEET 1 OF 1